

M-802-4-99
Supplement to:
M-802-97, M-802-92,
M-802-77 and M-801-91R



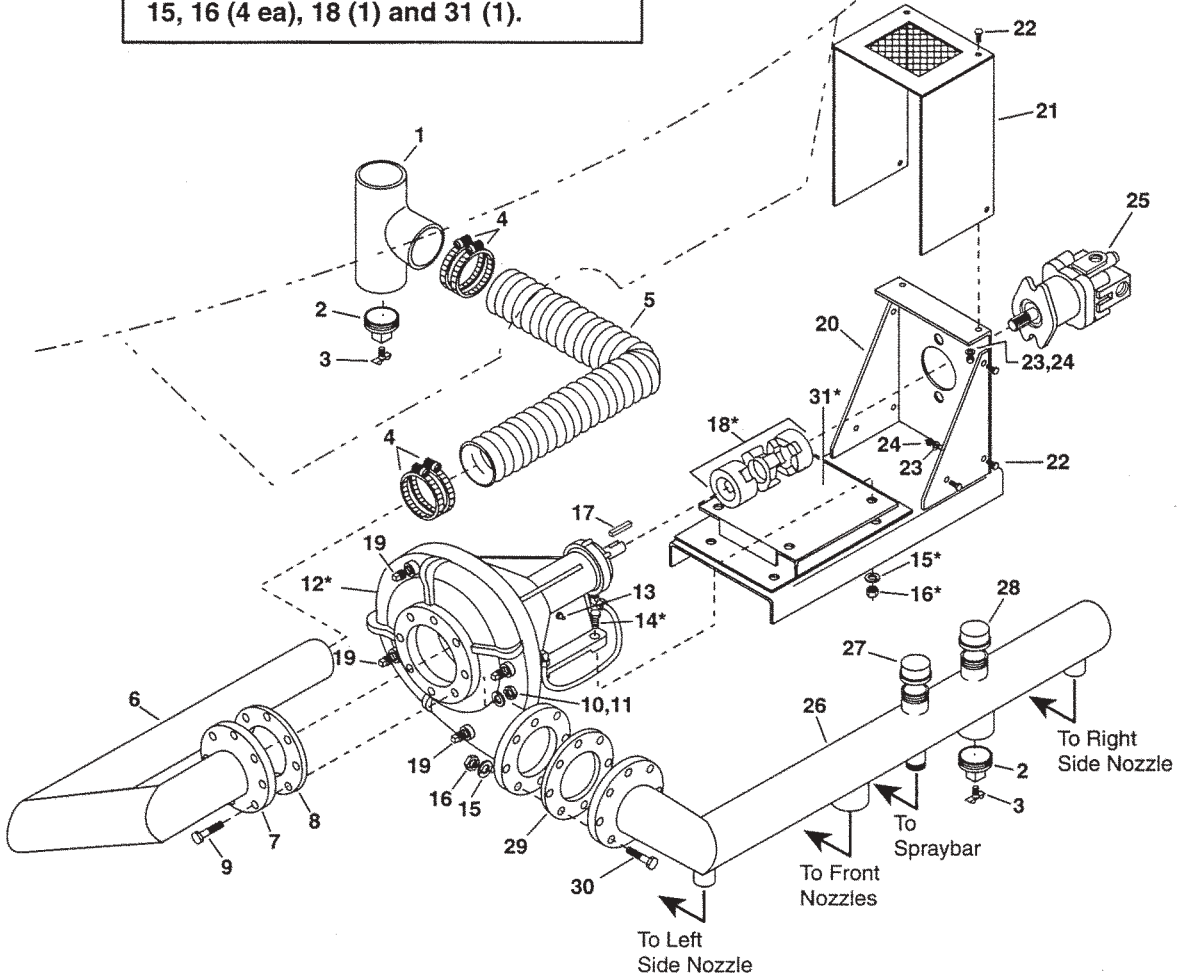
PARTS
SUPPLEMENT
STREET FLUSHER

BERKELEY
WATER PUMPS

E.D. ETNYRE & CO., OREGON, ILLINOIS 61061

PUMPING UNIT ASSEMBLY BERKELEY - 6602797

ATTENTION:
 Kit #7210138 Includes Ref.#s 12 (1), 14,
 15, 16 (4 ea), 18 (1) and 31 (1).
 Kit #7210137 Includes Ref.#s 12 (1), 14,
 15, 16 (4 ea), 18 (1) and 31 (1).



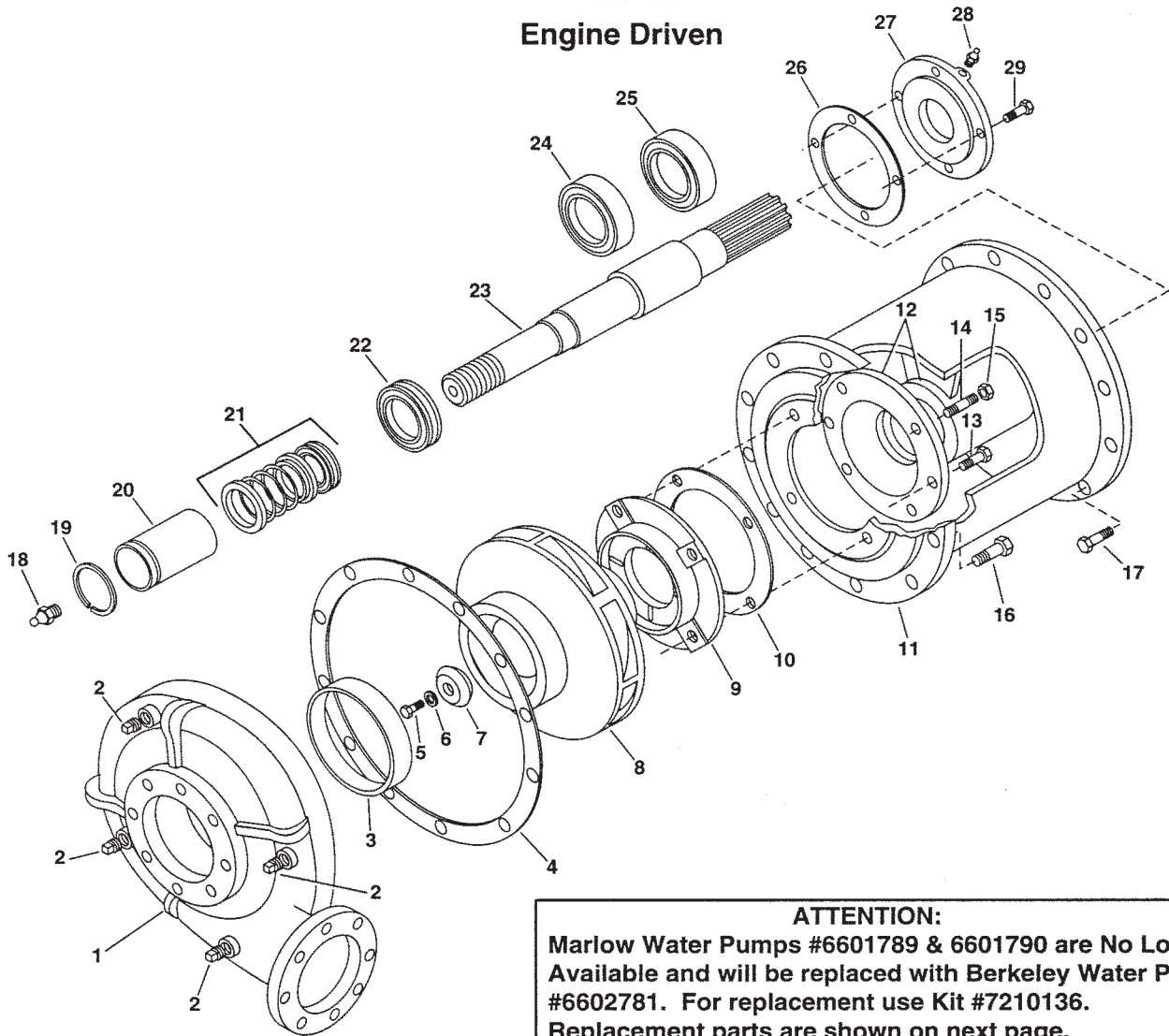
REF	PART NO.	QTY	DESCRIPTION	REF	PART NO.	QTY	DESCRIPTION
1	2900148	1	Line Asm-Suction, Tank	17	7050012	1	Key-1/2 x 4"
2	2940421	2	Plug-3" Pipe W/Tap	18*	6445067	1	Coupling L225-1.88B x 1"-15T
3	6600162	2	Cock-Drain, 0.25	19	7050029	1	Pipe Plug 1/2NPT
4	6000872	4	Clamp-Hose, M96, Worm Gear	20*	2940453	1	Base Asm-Pump & Mtr. Berkeley
5	6000950	1	Hose-Suc 5.5 x 25.0 + 2.5 CUFF BE	21	2940460	1	Guard Asm-Pump Shft. Berkeley
6	2940380	1	Suction El. Asm-Ford Dsl. Eng.	22	0121887	4	Screw-Hex, 0.25NC x 0.75, GR2, PD
7	2940214	1	Flange-Elbow, 5 In. Suction	23	0120380	4	Washer-Lock, 0.25, Spring, PD
8	2940054	1	Gasket-Bolting Flange	24	0120375	4	Nut-Hex, 0.25NC, PD
9	0428781	8	Screw-Hex, 0.75NC x 3.00, GR2, PD	25	6602129	1	Motor-Hyd, 2.8 CIR, Axial, Fixed
10	0131046	8	Washer-Lock, 0.75, Spring, PD	26	2940625	1	Dis Header Asm-Frame Mtd PU
11	0220086	8	Nut-Hex, 0.75NC, PD	27	6200052	1	Cap-Pipe, 2.50NPT, PN
12*	6602797	1	Pump-Water, Berkeley B4JRMBS	28	0187373	1	Cap-Pipe, 1.50NPT, PN
13	7050030	1	Fitting-Grease	29	2940053	1	Gasket-Reducing Flange
14*	0428700	4	Screw-Hex, 0.62NC x 2.75, GR2, PD	30	0428697	8	Screw-Hex, 0.62NC x 2.50, GR2, PD
15*	0121574	12	Washer-Lock, 0.62, Spring, PD	31	2940458	1	Base Asm-Berkeley Pump
16*	0124589	12	Nut-Hex, 0.62NC, PD				

Specify Unit Serial No., Part No. & Part Description

BERKELEY WATER PUMP

6602781

Engine Driven



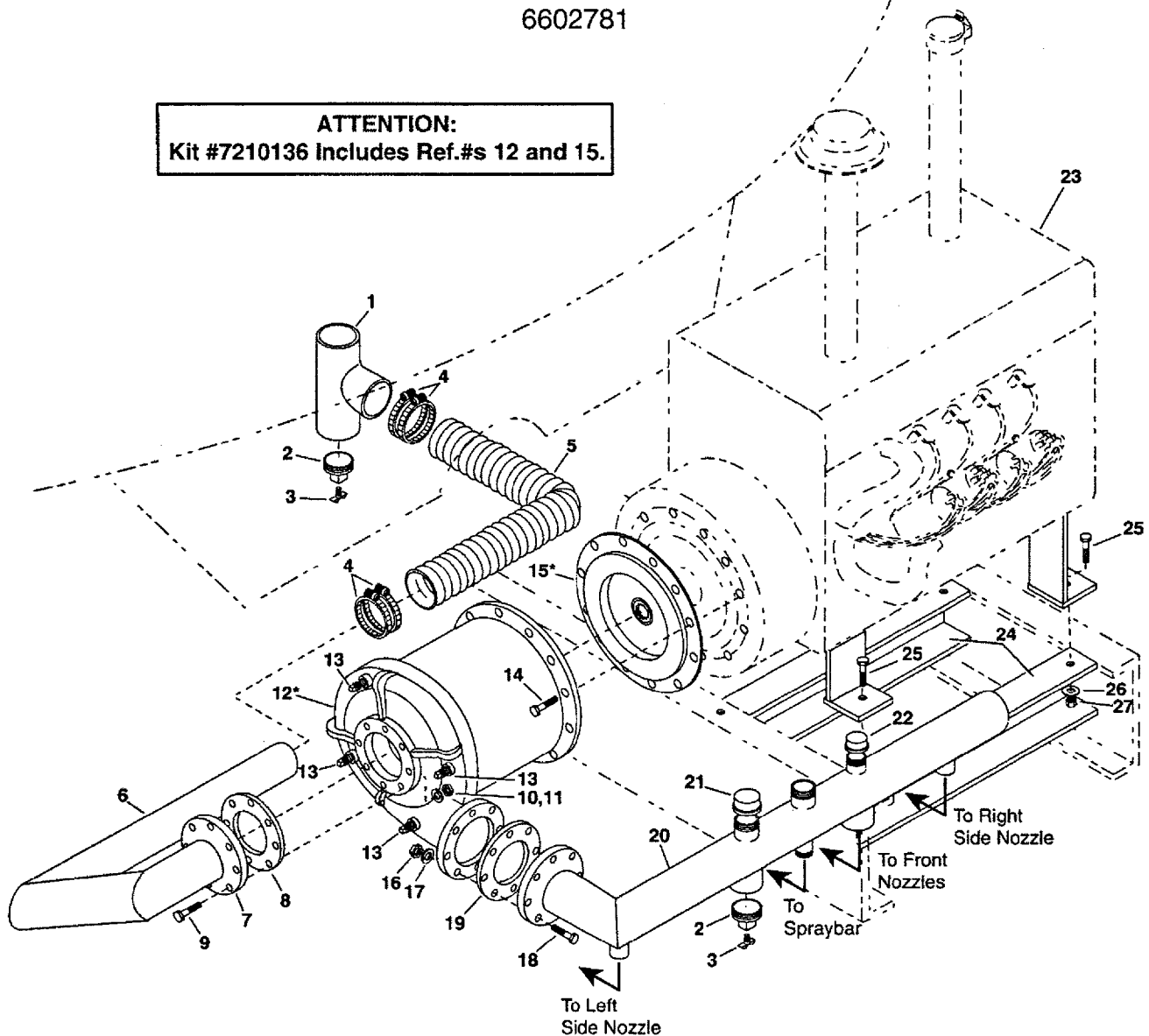
ATTENTION:
 Marlow Water Pumps #6601789 & 6601790 are No Longer Available and will be replaced with Berkeley Water Pump #6602781. For replacement use Kit #7210136. Replacement parts are shown on next page.

REF	PART NO.	QTY	DESCRIPTION	REF	PART NO.	QTY	DESCRIPTION
1	7050002	1	Case-Volute	16	7050023	12	Capscrew, Hex 5/8-11 x 1.5
2	7050029	4	Pipe Plug 1/2NPT	17	7050046	12	Capscrew, Hex 3/8-16 x 1.2
3	7050005	1	Ring, Wearing	18	7050050	1	Fitting, Grease
4	7050018	1	Gasket, Volute	19	7050049	1	Ring, Retaining
5	7050039	1	Screw-Impeller	20	7050037	1	Sleeve, Shaft
6	7050028	1	Washer-Lock	21	7050044	1	Seal, Mech. Shaft
7	7050016	1	Washer-Impeller	22	7050041	1	Seal, Oil
8	7050003	1	Impeller	23	7050035	1	Shaft
9	7050045	1	Ring, Balance	24	7050026	1	Nut, Hex 3/8-16
10	7050019	1	Gasket, Balance Ring	25	7050038	1	Bearing, Ball
11	7050042	1	Bracket	26	7050043	1	Gasket
12	7050036	1	Retainer, Seal	27	7050040	1	Outer Bearing Cap
13	7050047	2	Capscrew, Hex 3/8-16 x .62	28	7050030	1	Fitting, Grease
14	7050025	4	Stud, 3/8-16 x 1.5	29	7050048	4	Capscrew, Hex 1/4-20 x .75
15	7050026	4	Nut, Hex 3/8-16				

PUMPING UNIT ASSEMBLY

6602781

ATTENTION:
Kit #7210136 Includes Ref.#s 12 and 15.



REF	PART NO.	QTY	DESCRIPTION	REF	PART NO.	QTY	DESCRIPTION
1	2900148	1	Line Asm-Suction, Tank	16	0124589	8	Nut-Hex, 0.62NC, PD
2	2940421	2	Plug-3" Pipe W/Tap	17	0121574	8	Washer-Lock, 0.62, Spring, PD
3	6600162	2	Cock-Drain, 0.25	18	0428697	8	Screw-Hex, 0.62NC x 2.50, GR2, PD
4	6000872	4	Clamp-Hose, M96, Worm Gear	19	2940053	1	Gasket-Reducing Flange
5	6000950	1	Hose-Suc 5.5 x 25.0 + 2.5 CUFF BE	20	2940399	1	Discharge Header Asm-Deere Dsl.
6	2940397	1	Suction Elbow-Deere Dsl.	2940382	1	Dis. Header Asm-Ford Dsl. Eng.	
7	2940380	1	Suction El. Asm-Ford Dsl. Eng.	21	6200052	1	Cap-Pipe, 2.50NPT, PN
8	2940214	1	Flange-Elbow, 5 In. Suction	22	0187373	1	Cap-Pipe, 1.50NPT, PN
9	0428781	8	Screw-Hex, 0.75NC x 3.00, GR2, PD	23	6400585	1	Eng.-Dsl. Deere 4045DF150 Closed Unit
10	0131046	8	Washer-Lock, 0.75, Spring, PD	6400586	1	Eng.-Dsl. Deere 4045DF150 Open Unit	
11	0220086	8	Nut-Hex, 0.75NC, PD	24	2910281	2	Cross-Channel Supt. Deere Dsl.
12*	6602781	1	Pump-Water, Berkeley B4JBHS	2910258	1	Angle-Front, Eng. Mt. Ford	
13	7050029	1	Pipe Plug 1/2NPT	2910261	1	Angle-Rear, Eng. Mt. Ford	
14	7050046	12	Capscrew-Hex, 3/8-16 x 1.2	25	0122459	4	Screw-Hex, 0.50NC x 2.00, GR2, PD
15*	6602793	1	Flywheel Coupling-SAE 4	26	0114951	4	Washer-Flat, 0.50, PN
				27	9411727	4	Nut-Hex, Lock, 0.50NC, EA, PD