



# Parts Manual



# PavementSaver

PavementSaver II Model

Etnyre International

1333 South Daysville Road, Oregon, IL 61061 USA

Phone: 1-815-732-2116

[etnyre.com](http://etnyre.com)

*Page Left Intentionally Blank*

**Table of Contents**

<u>Section</u>	<u>Title</u>	<u>Page</u>
	<a href="#"><u>Limited Warranty</u></a> .....	ii
Section 1—	<a href="#"><u>General Information</u></a> .....	1-1
Section 2—	<a href="#"><u>Machine Overview</u></a> .....	2-1
Section 3—	<a href="#"><u>Power System</u></a> .....	3-1
Section 4—	<a href="#"><u>Steering, Brakes, Wheels, and Tires</u></a> .....	4-1
Section 5—	<a href="#"><u>Hydraulic System</u></a> .....	5-1
Section 6—	<a href="#"><u>Spray Bar</u></a> .....	6-1
Section 7—	<a href="#"><u>Squeegee Assembly</u></a> .....	7-1
Section 8—	<a href="#"><u>RaynPump</u></a> .....	8-1
Section 9—	<a href="#"><u>Operator’s Station</u></a> .....	9-1
Section 10—	<a href="#"><u>Water System</u></a> .....	10-1
Section 11—	<a href="#"><u>Machine Decals</u></a> .....	11-1
Section 12—	<a href="#"><u>Controller</u></a> .....	12
Section 13—	<a href="#"><u>Electrical Diagram</u></a> .....	13
Section 14—	<a href="#"><u>Part Number List</u></a> (Sorted by Machine Section).....	14
Section 15—	<a href="#"><u>Part Number List</u></a> (Sorted by Part Number).....	15
Section 16—	<a href="#"><u>Common Wear Parts</u></a> .....	16
Section 17—	<a href="#"><u>Parts Order Form</u></a> .....	17

# Parts Manual PavementSaver II

## LIMITED WARRANTY

Etnyre International warrants products of its manufacture against defects in material and workmanship for a period of 180 days from date of delivery to customer. Any component part or parts proving defective within the warranty period will be repaired or replaced, at the option of Etnyre International, providing such parts are returned to the factory and found to be defective by Etnyre International.

This warranty is not transferable and does not cover damage resulting from other than defects in material or workmanship, or damage caused by unreasonable use, including the failure to provide reasonable and necessary maintenance. In addition, this warranty does not cover general check-ups on electrical equipment, hydraulic equipment, engines, or replacement of non-defective parts (such as filters, fan belts, etc.) that may wear and need to be replaced with reasonable use within the warranty period or which may require replacement in connection with normal maintenance.

This warranty does not apply to any trade accessory, engine, electrical equipment, hydraulic equipment, or other component which is separately warranted by another manufacturer and not manufactured by Etnyre International. Etnyre International assumes no responsibility beyond the warranty of the manufacturer of such equipment or accessories.

Etnyre International's liability is limited to the replacement of defective parts, and no allowance shall be made for labor performed, delays or expense incidental to the replacement of the defective parts nor any other special, incidental or consequential damage or injuries. This warranty will not apply to any product that has been repaired or altered outside of Etnyre International's factory, nor to any product that has been subject to misuse, negligence, or accident.

Etnyre International reserves the right to make changes in design and specifications without incurring the obligation to furnish them or machines previously sold or shipped.

All parts returned for warranty shall be shipped to :

**Etnyre International**  
**1333 South Daysville Road,**  
**Oregon, IL 61061 USA**  
**Ph: (815) 732-2116**

**[www.etnyre.com](http://www.etnyre.com)**

## Section 1 General Information

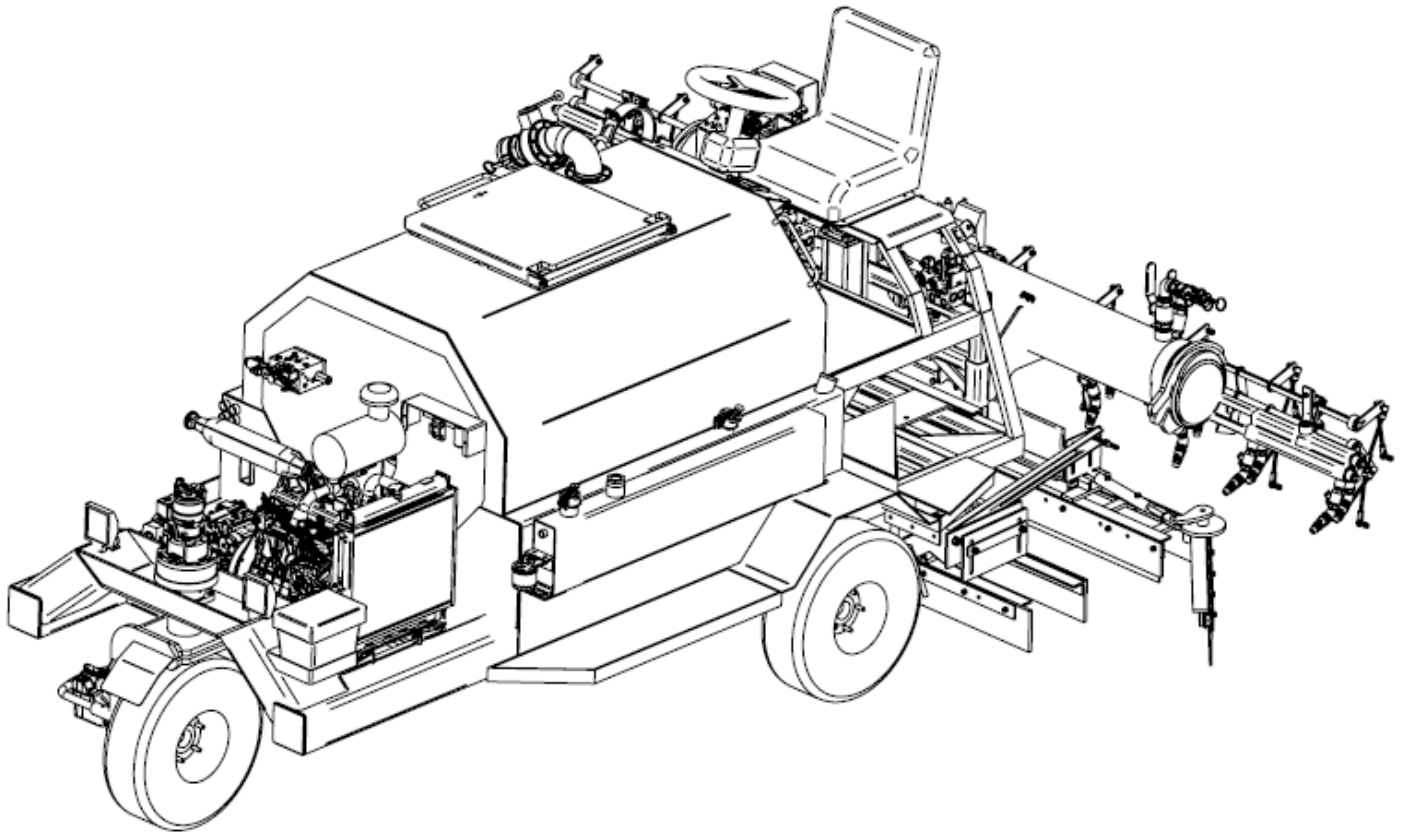
Table 1-1. Abbreviations & Acronyms

<u>Term</u>	<u>Meaning</u>
A	Amperes
RES	Rayner Equipment Systems
PS	PavementSaver
LH	Left Hand
RH	Right Hand

*Page Left Intentionally Blank*

# Parts Manual PavementSaver II

## Section 2 Machine Overview



## Section 2 Machine Overview

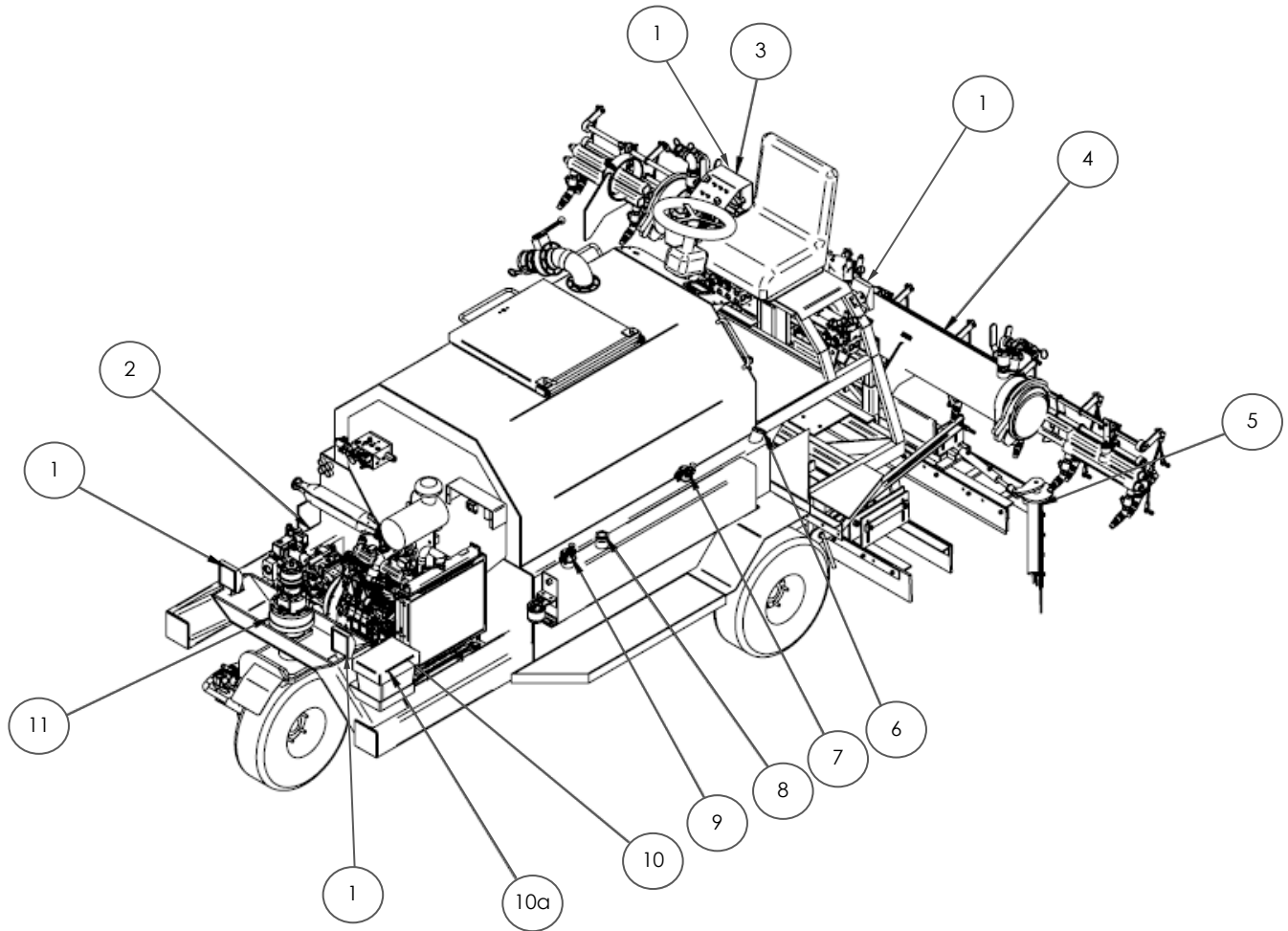


Figure 2-1 Basic Assembly Left Side



### Section 2

### Machine Overview

Table 2-1. Basic Assembly Left Side

Figure & Item No.	Part Number	Description	Quantity
2-1-1	110003148	Work Lights	4
2-1-2	Section 3	Engine	1
2-1-3	Section 9	Controls	1
2-1-4	Section 6	Spray Bar	1
2-1-5	Section 5	Dragbox	1
2-1-6	110002172	Water Level Gauge	1
2-1-7	110003058	Water Fill Cap	1
2-1-8	110002173	Fuel Level Gauge	1
2-1-9	110003057	Diesel Fill Cap	1
2-1-10	110002025	Battery Box	1
2-1-10A	110002024	Battery	1
2-1-11	Section 4	Steering System	1

## Section 2 Machine Overview

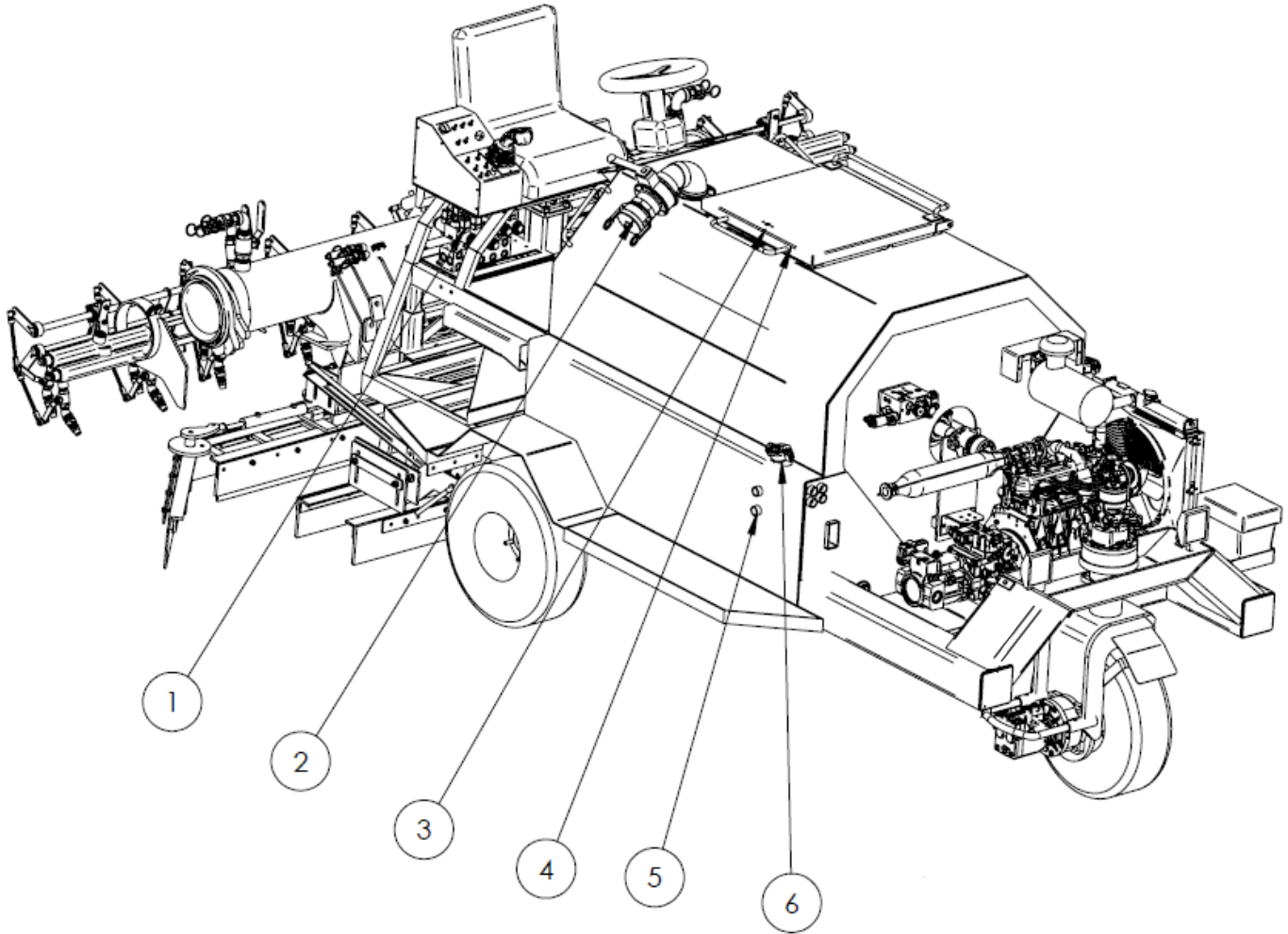


Figure 2-2 Basic Assembly Right Side

### Section 2

### Machine Overview

Table 2-2. Basic Assembly Right Side

Figure & Item No.	Part No.	Description	Quantity
2-2-1	Section 5	Hydraulic System	1
2-2-2	Figure 2-3	Material Fill Assembly	1
2-2-3	110000773	Tank Lid Latch Handle	1
2-2-4	—	Tank Lid	2
2-2-5	110001024	Hydraulic Oil Sight Glass	2
2-2-6	110000750	Hydraulic Oil Fill Cap	1

## Section 2 Machine Overview

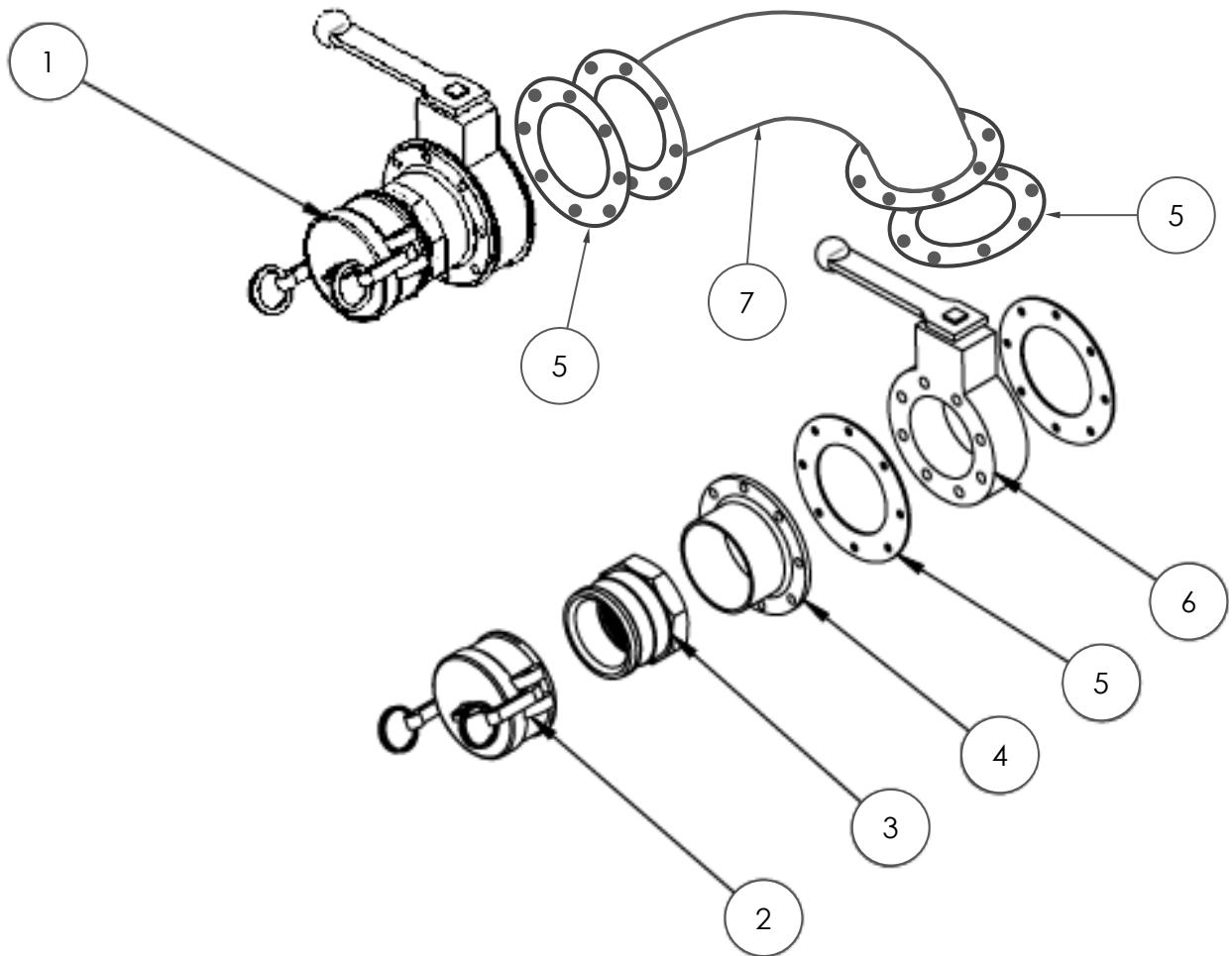
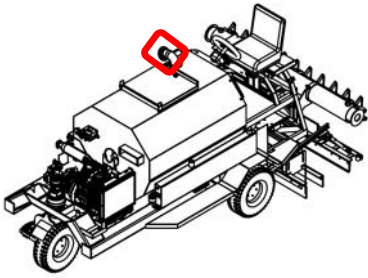


Figure 2-3 Material Fill Assembly

### Section 2

### Machine Overview

Table 2-3. Material Fill Assembly

Figure & Item No.	Part No.	Description	Quantity
2-3-1	—	Material Fill Assembly	1
2-3-2	110002413	3" Camlock Dust Cap	1
2-3-3	110002426	3" Type A Camlock	1
2-3-4	110002426	3" Male Adapter	1
2-3-5	110002159	3" Gasket	3
2-3-6	110002168	Shut-Off Valve	1
2-3-7	11000xxxx	Fill Pipe	1

## Section 2 Machine Overview

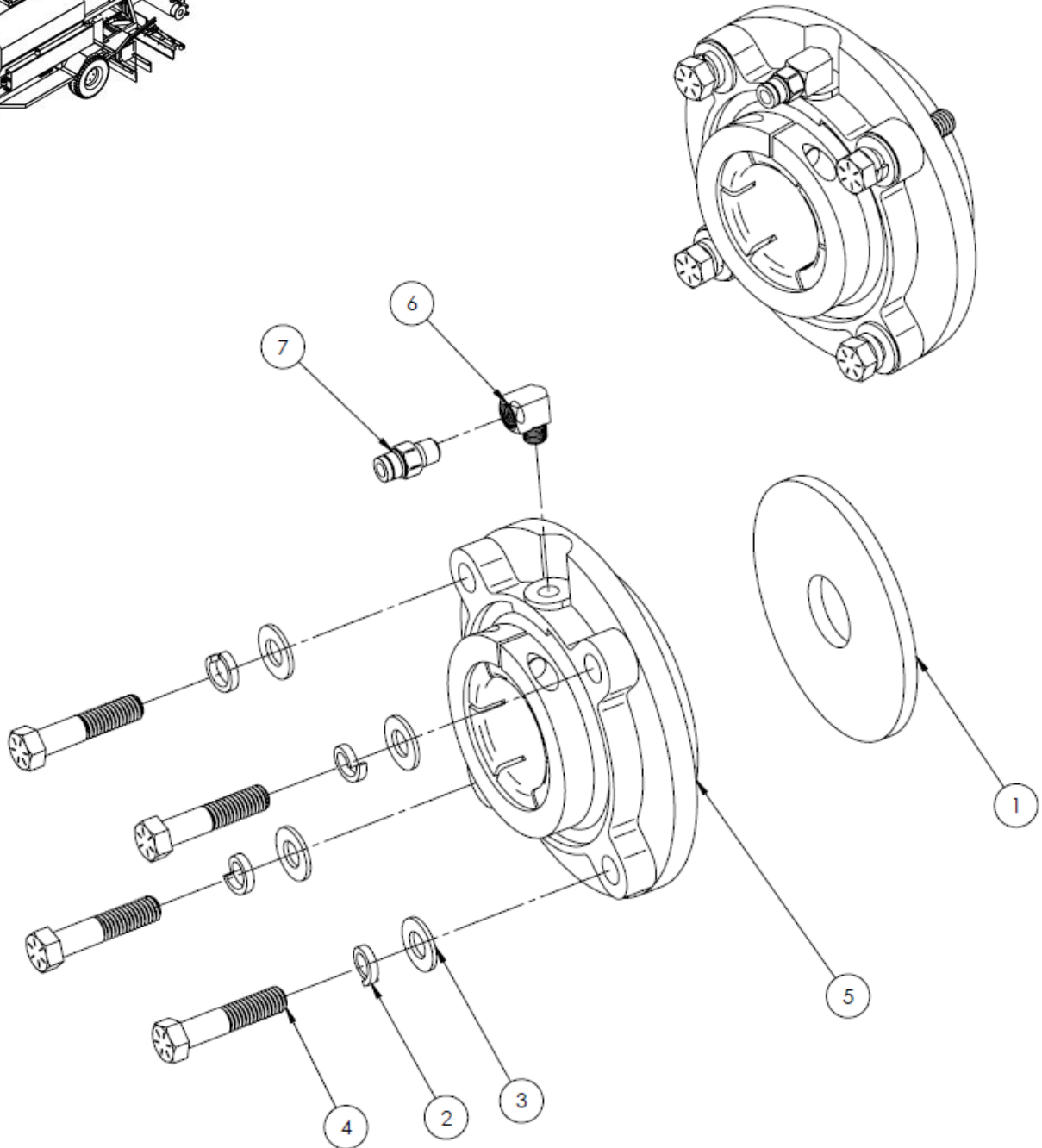
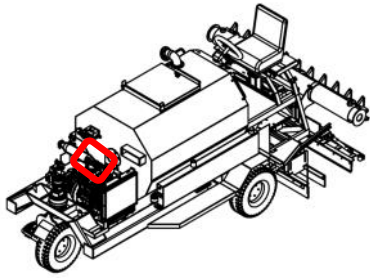


Figure 2-4. Front Bearing Assembly

### Section 2

### Machine Overview

Table 2-4. Front Bearing Assembly

Figure & Item No.	Part No.	Description	Quantity
2-4-1	110003070	Front Bearing Gasket	1
2-4-2	110003263	7/16" Split Lock Washer	4
2-4-3	110003300	7/16" Flat Washer	4
2-4-4	110004067	7/16"-14 x 2" Hex Cap Screw	4
2-4-5	110001051	Front Bearing	1
2-4-6	110003980	Fitting 90 Elbow 1/8" FPT x 1/8" MPT	1
2-4-7	110003979	Fitting 1/4" PTC x 1/8" FNPT	1

## Section 2 Machine Overview

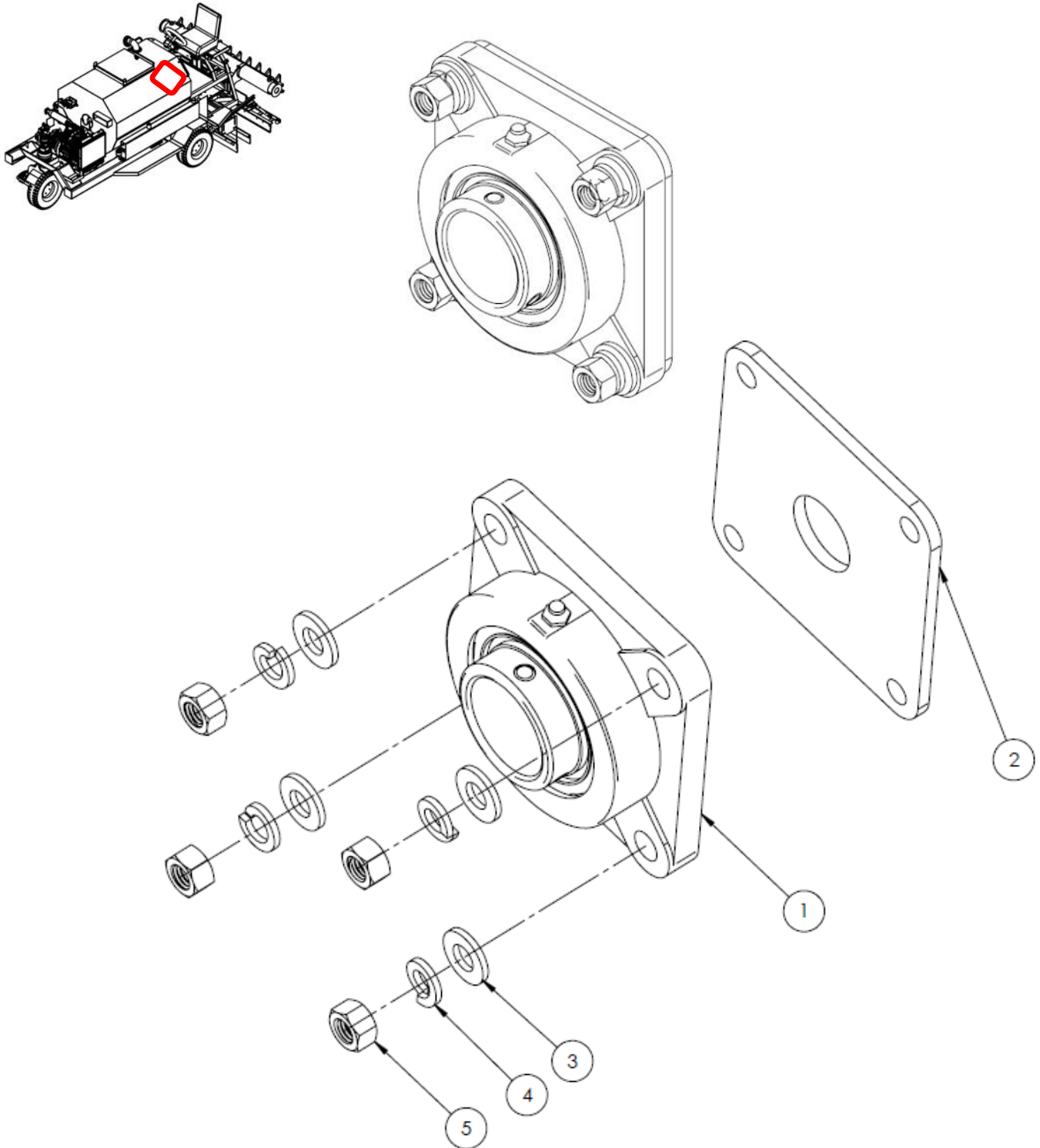


Figure 2-5. Rear Bearing Assembly



### Section 2

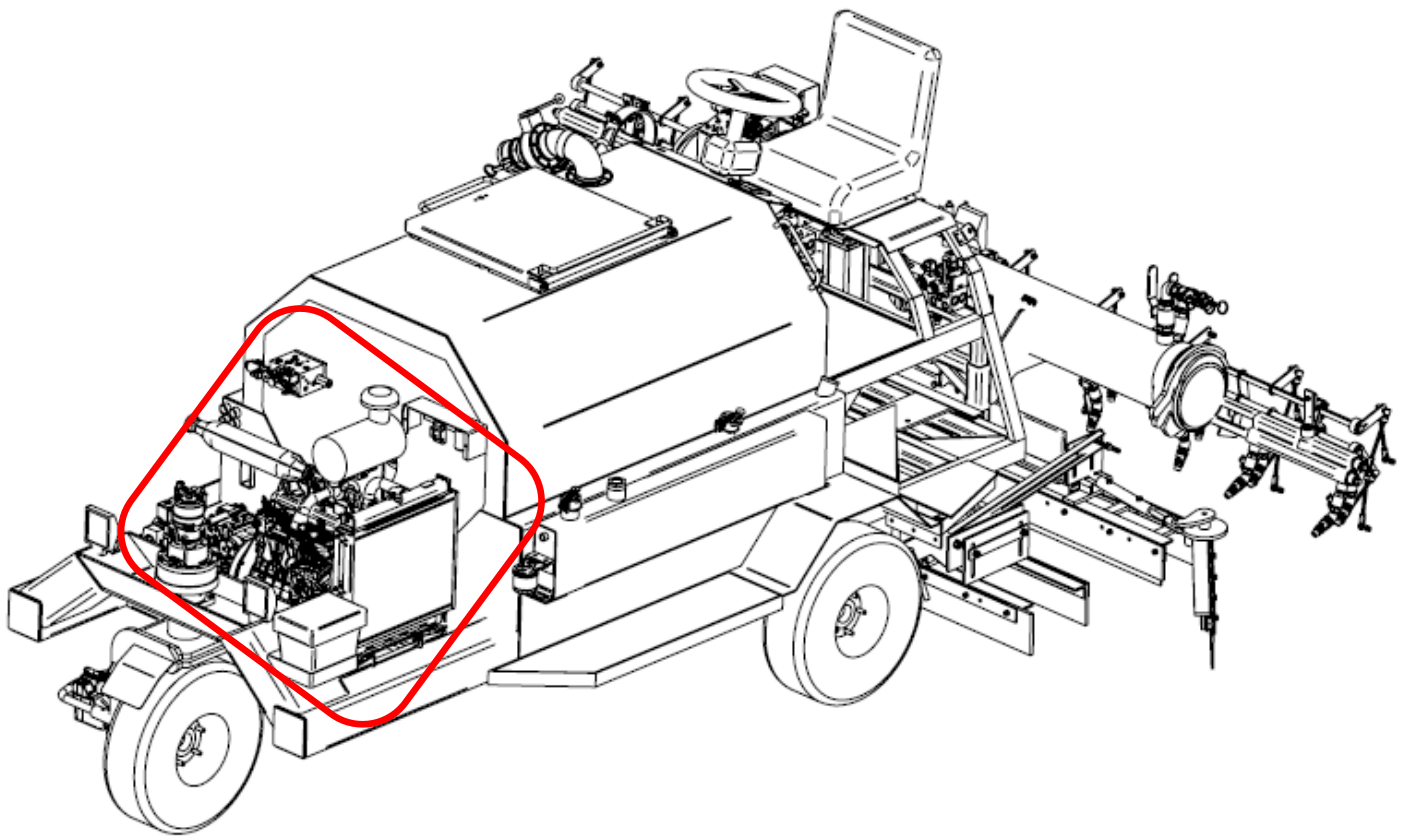
### Machine Overview

Table 2-5. Rear Bearing Assembly

Figure & Item No.	Part No.	Description	Quantity
2-5-1	110001052	Rear Mixer Bearing	1
2-5-2	110001377	Rear Bearing Gasket	1
2-5-3	110003243	1/2" Flat Washer	4
2-5-4	110003107	1/2" Split Lock Washer	4
2-5-5	110003108	1/2" Hex Nut	4

*Page Left Intentionally Blank*

## Section 3 Power System



## Section 3 Power System

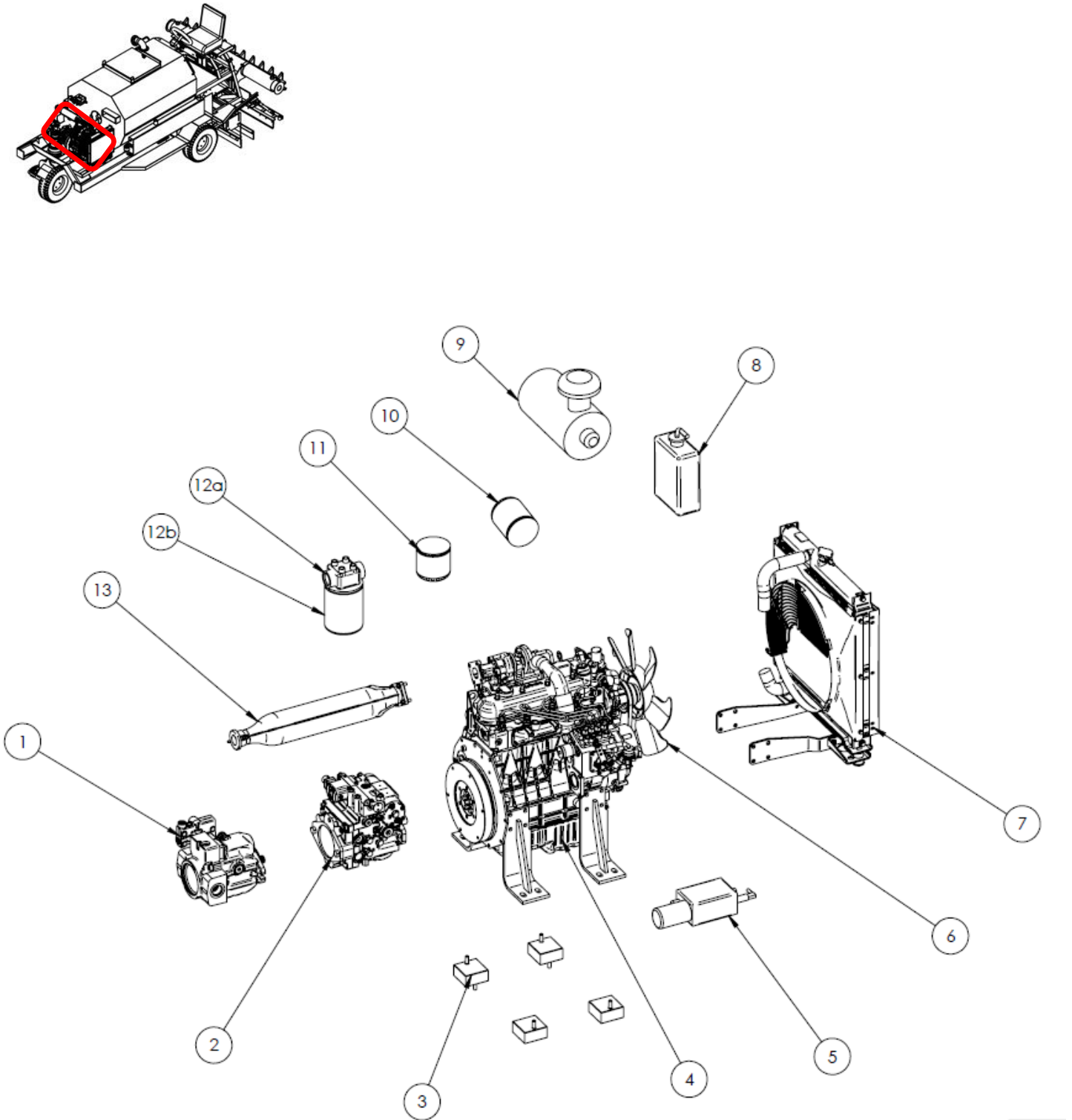


Figure 3-1. Power System—Engine

### Section 3

### Power System

Table 3-1. Power System - Engine

Figure & Item No.	Part No.	Description	Quantity
3-1-1	110001313	Auxiliary Pump	1
3-1-2	110001276	Drive Pump	1
3-1-3	110000309	Engine Isolator	4
3-1-4	110001315	Engine	1
3-1-5	110001224	Throttle Actuator	1
3-1-6	110001316	Engine Fan	1
3-1-7	110001322	Radiator Kit	1
3-1-8	110001906	Coolant Reservoir	1
3-1-9	110001320	Engine Air Cleaner	1
3-1-10	110002720	Oil Filter	1
3-1-11	110001321	Fuel Filter	1
3-1-12a	110001319	Return Filter Head	1
3-1-12b	110001318	Return Filter Element	1
3-1-13	110001317	Exhaust	1

## Filter Port identification

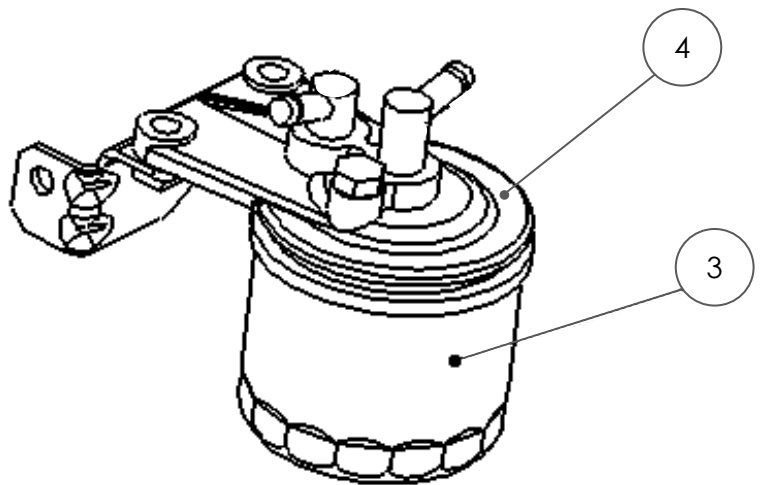
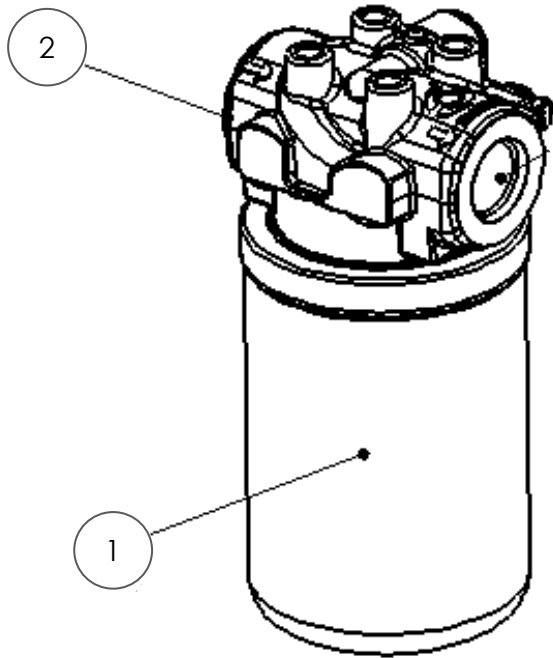


Figure 3-2. Power System—Filter

**Filter Port identification**

Table 3-2. Power System—Filter

<b>Figure &amp; Item No.</b>	<b>Part No.</b>	<b>Description</b>	<b>Quantity</b>
3-2-1	110001318	Hydraulic Filter	1
3-2-2	110001319	Return Filter Head	1
3-2-3	110001321	Fuel Filter	1
3-2-4	11000xxxx	Fuel Filter Head	1

# Parts Manual PavementSaver II

## Auxiliary Pump Port Identification

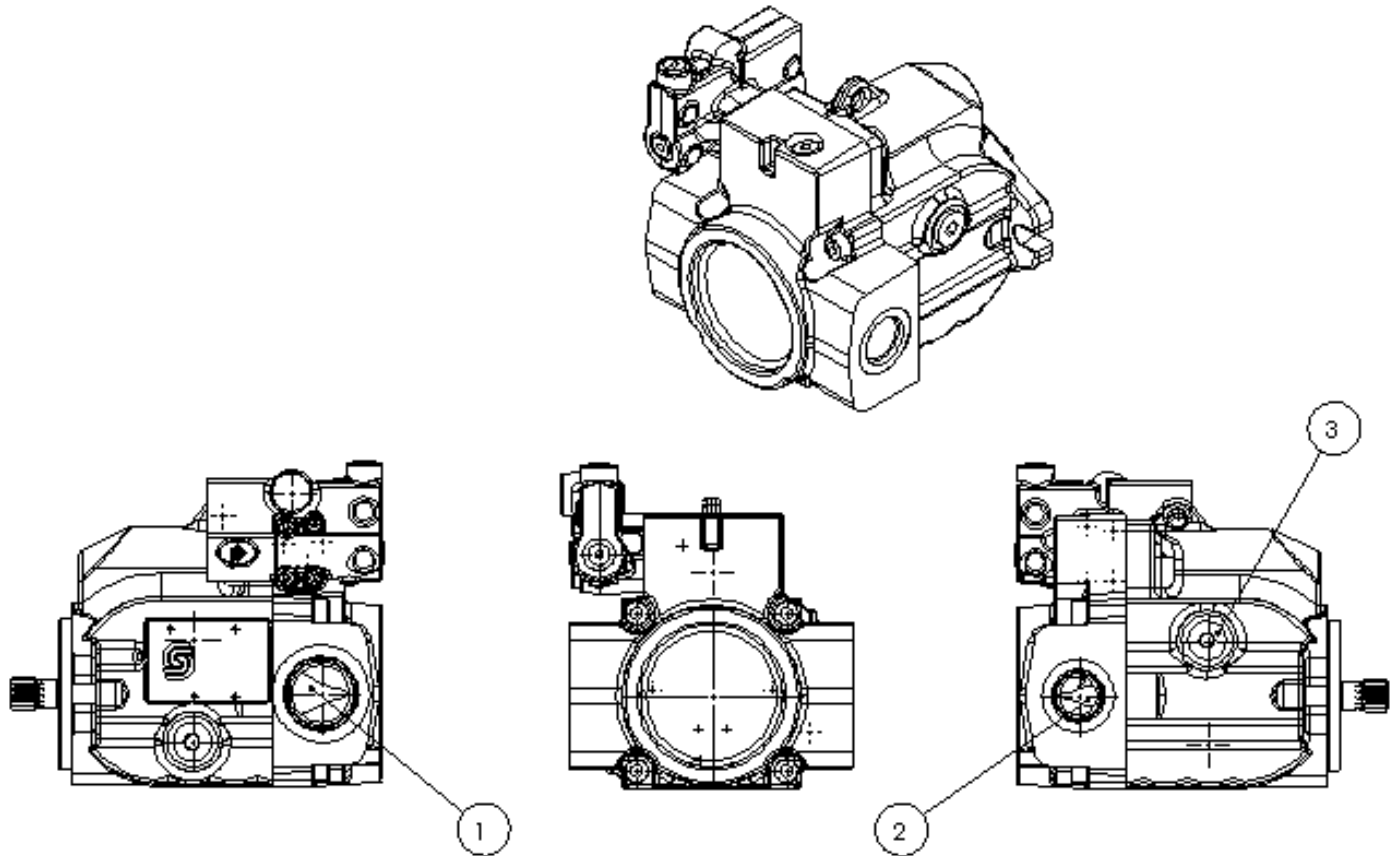


Figure 3-3. Power System—Auxiliary



# Parts Manual PavementSaver II

## Auxiliary Pump Port Identification

Table 3-3. Power System—Auxiliary Pump Port

Figure & Item No.	Part No.	Description	Quantity
—	110001313	Auxiliary Pump	1
3-3-1	—	Work Port	1
3-3-2	—	Work Port	1
3-3-3	—	Work Port	1

## Drive Pump Port Identification

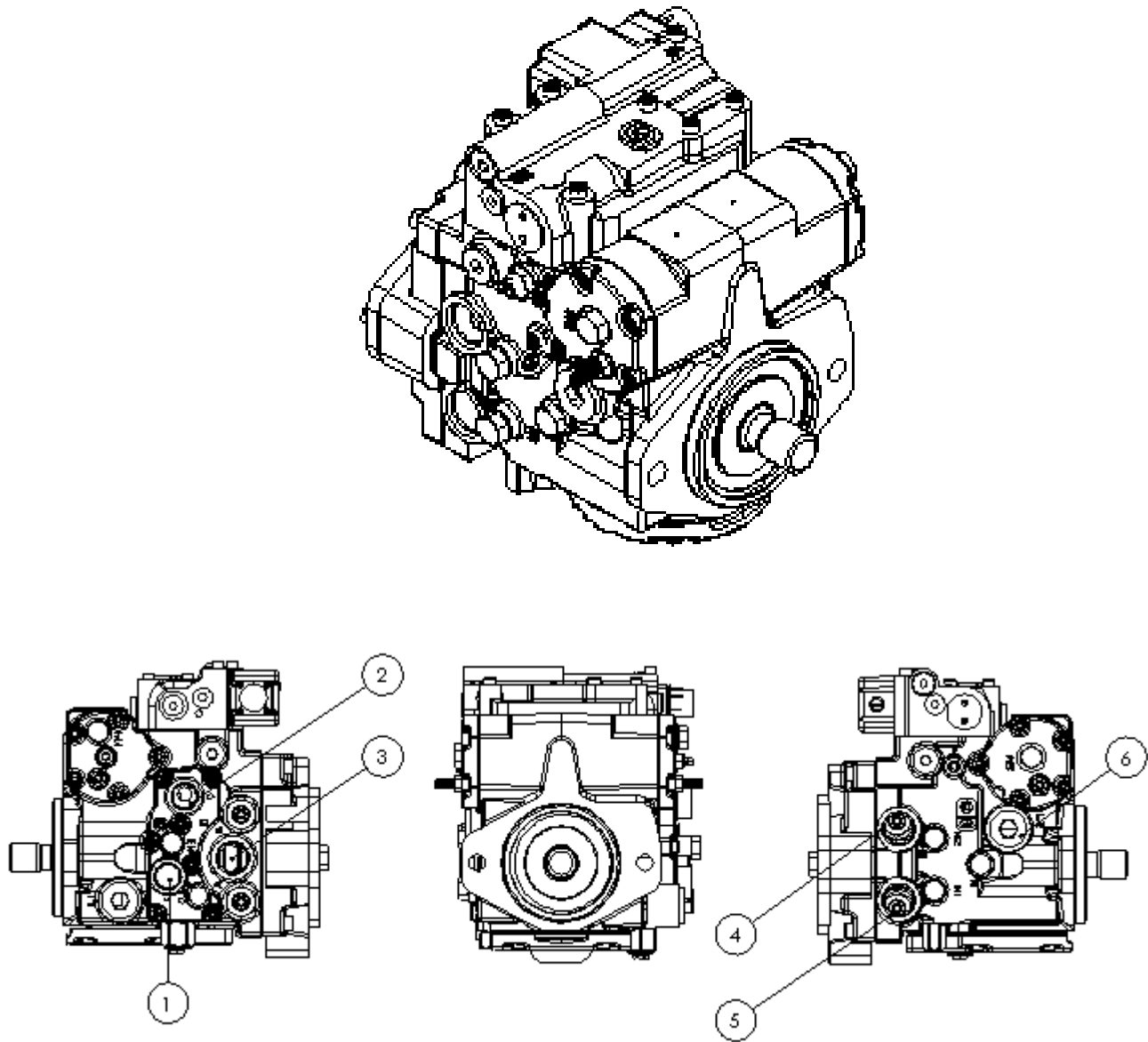


Figure 3-4. Power System—Drive Pump Port

## Drive Pump Port Identification

Table 3-4. Power System—Drive Pump Port

Figure & Item No.	Part No.	Description	Quantity
—	110001276	Drive Pump	1
3-4-1	—	Work Port	1
3-4-2	—	Work Port	1
3-4-3	—	Work Port	1
3-4-4	—	Work Port	1
3-4-5	—	Work Port	1
3-4-6	—	Work Port	1

## Starter Solenoid and Fuse

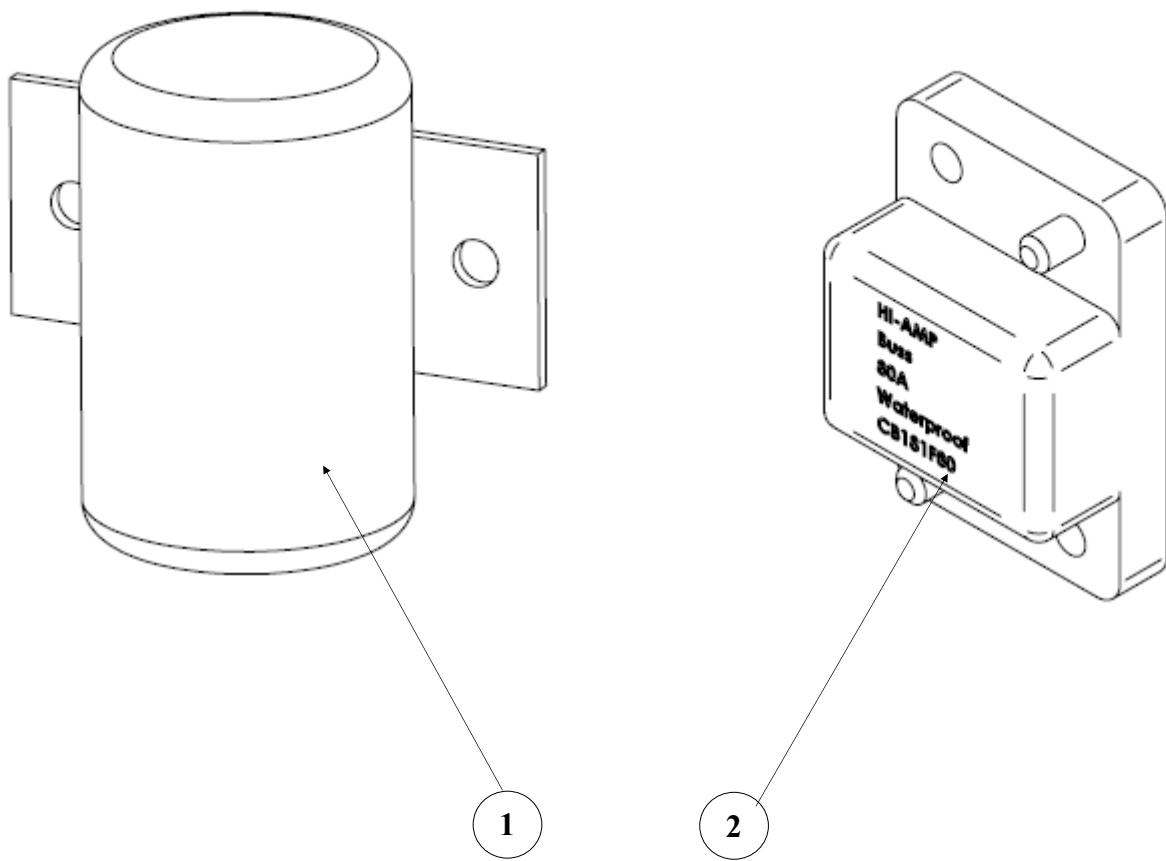


Figure 3-5. Starter Solenoid and Fuse

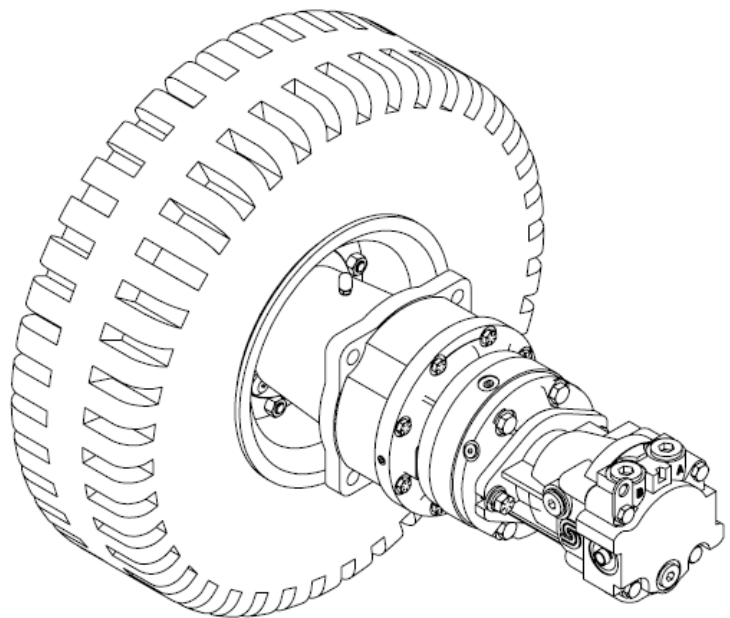
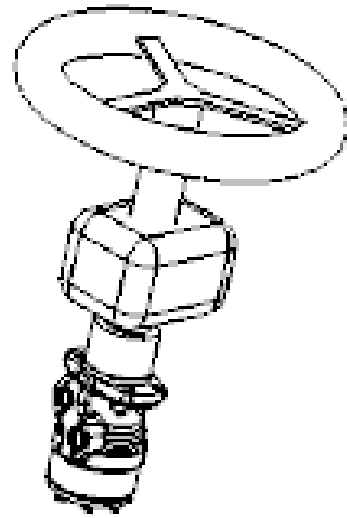
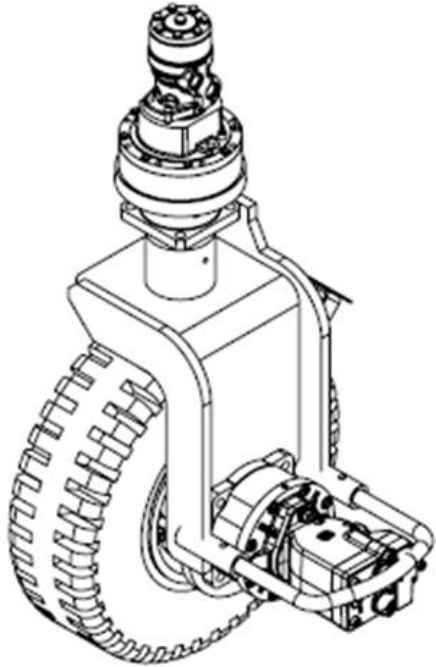
**Drive Pump Port Identification**

Table 3-5. Starter Solenoid and Fuse

<b>Figure &amp; Item No.</b>	<b>Part No.</b>	<b>Description</b>	<b>Quantity</b>
3-5-1	110000550	Starter Solenoid	1
3-5-2	110002121	Fuse, 80Amp	1

*Page Left Intentionally Blank*

## Section 4 Steering, Brakes, Wheels, and Tires







# Parts Manual PavementSaver II

## Front Steering

Table 4-2. Front Steering Assembly

Figure & Item No.	Part No.	Description	Quantity
4-2-1	110001323	Motor Guard	1
4-2-2	110001258	Front Wheel Motor	1
4-2-2a	—	Fitting line identification	1
4-2-2b	—	Fitting line identification	1
4-2-2c	—	Fitting line identification	1
4-2-2d	—	Fitting line identification	1
4-2-3	110001261	Wheel Hub	1
4-2-4	110001259	Steering Hub	1
4-2-5	110001327	Steering Motor	1
4-2-5a	—	Fitting line identification	1
4-2-5b	—	Fitting line identification	1
4-2-6	110001325	Steering Wheel	1
4-2-7	110001326	Steering Column	1
4-2-8	110001324	Steering Valve Motor	1
4-2-8a	—	Fitting line identification	1
4-2-8b	—	Fitting line identification	1
4-2-9	110001058	Optional Wheel Speed Sensor	1
4-2-10	110001709	Wheel Hub Breather	1
4-2-11	110005893	Front Tire <b><u>Assembly</u></b>	1
4-2-12	110001329	Wheel	1
4-2-13	110001844	Hex Screw	10
4-2-14	110001842	Lock Nut	10
4-2-15	110001239	Wheel Lug Nut	5
4-2-16	110003264	Hex Screw	2
4-2-17	110003107	Lock Washer	2
4-2-18	110003243	Flat Washer	2
4-2-19		Front Wheel Frame	1

## Rear Wheel Assembly

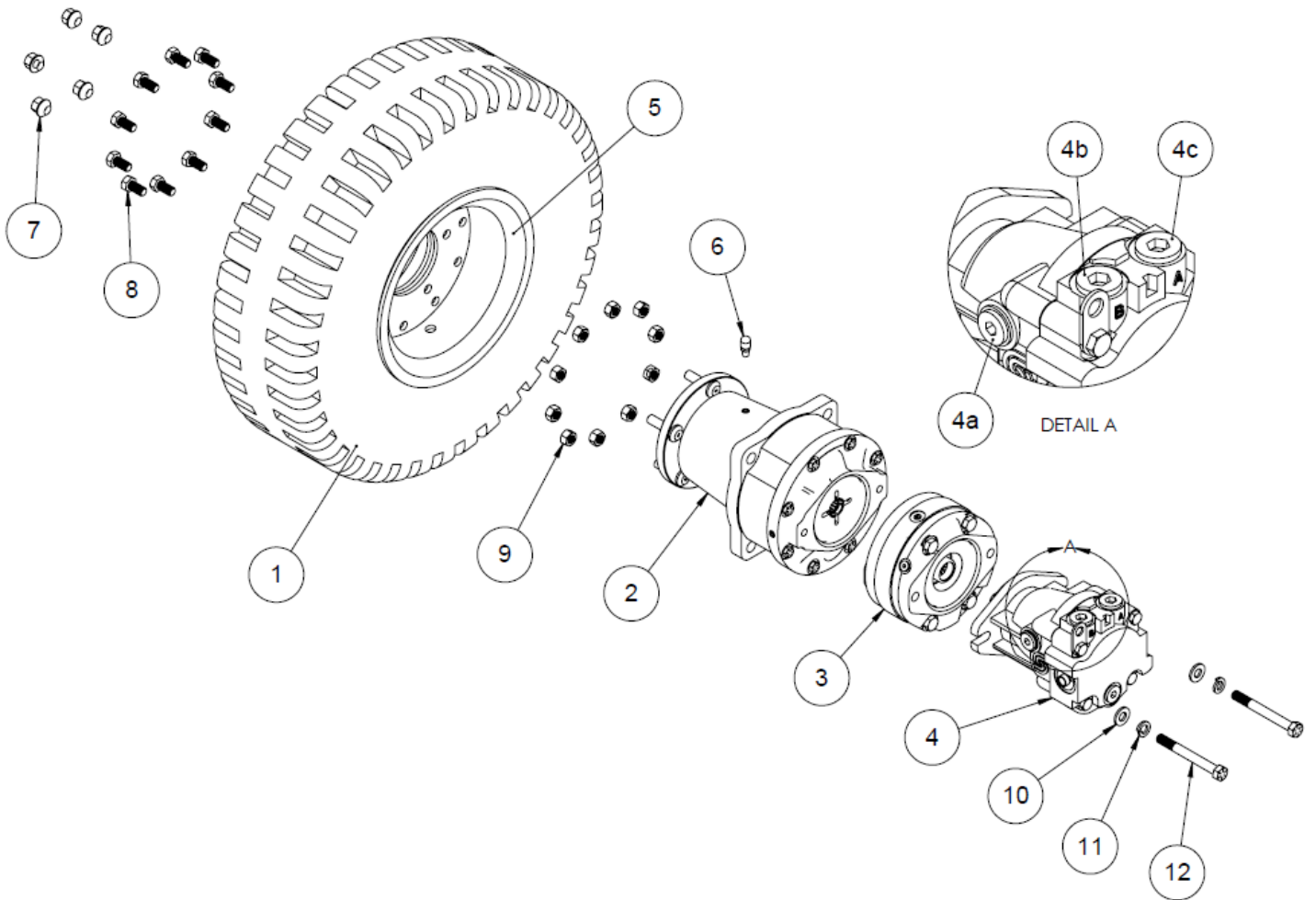
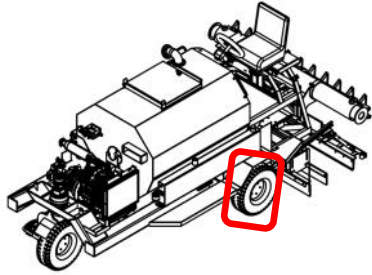


Figure 4-3. Rear Wheel Assembly

# Parts Manual PavementSaver II

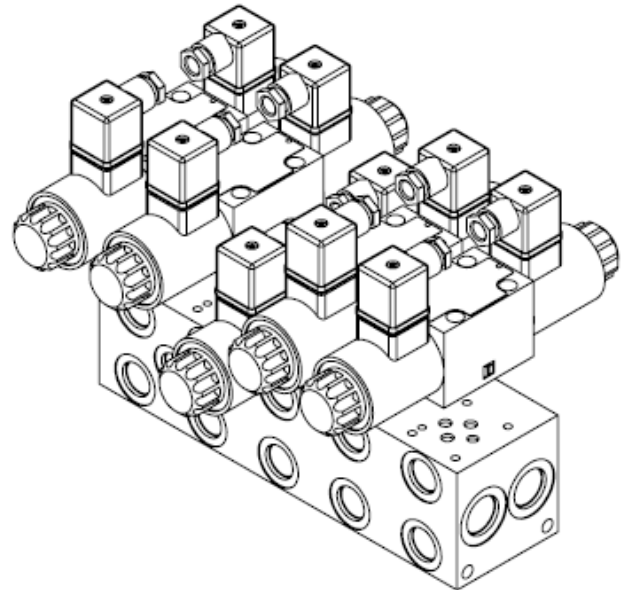
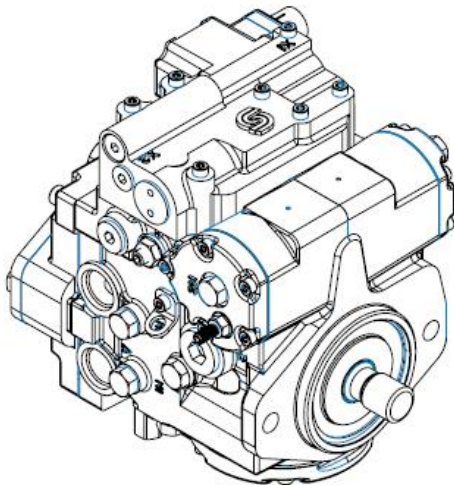
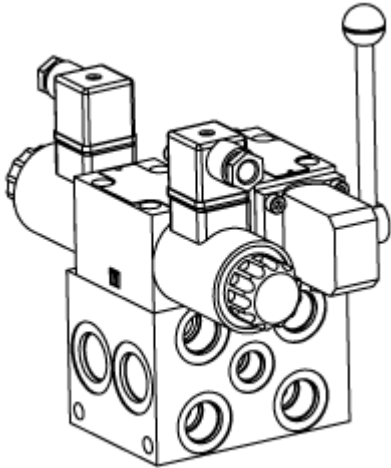
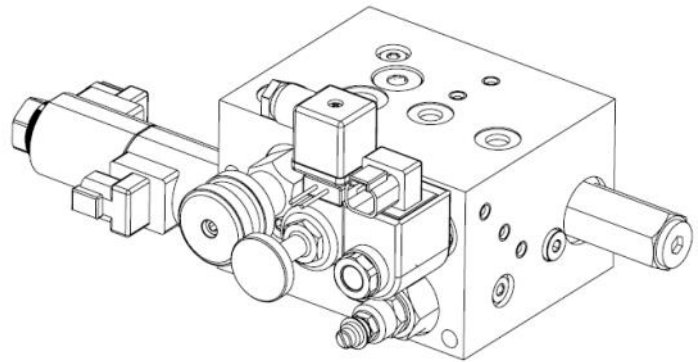
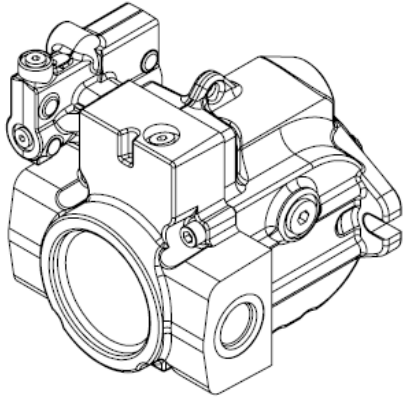
## Rear Wheel Assembly

Table 4-3. Rear Wheel Assembly

Figure & Item No.	Part No.	Description	Quantity
4-3-1	110005894	Tire Right and Left <b>Assembly</b>	2
4-3-2	110001261	Wheel Hub	2
4-3-3	110001330	Parking Brake Right and Left	2
4-3-4	110001275	Rear Wheel Motor	2
4-3-4a	—	Work Port	1
4-3-4b	—	Work Port	1
4-3-4c	—	Work Port	1
4-3-5	110001329	Wheel	2
4-3-6	110001709	Wheel Hub Breather	2
4-3-7	110001239	Wheel Nut	10
4-3-8	110001844	Hex Screw	20
4-3-9	110001842	Lock Nut	20
4-3-10	110003243	Flat Washer	4
4-3-11	110003107	Lock Washer	4
4-3-12	110004429	Hex Screw	4

*Page Left Intentionally Blank*

## Section 5 Hydraulic System



## Front Manifold

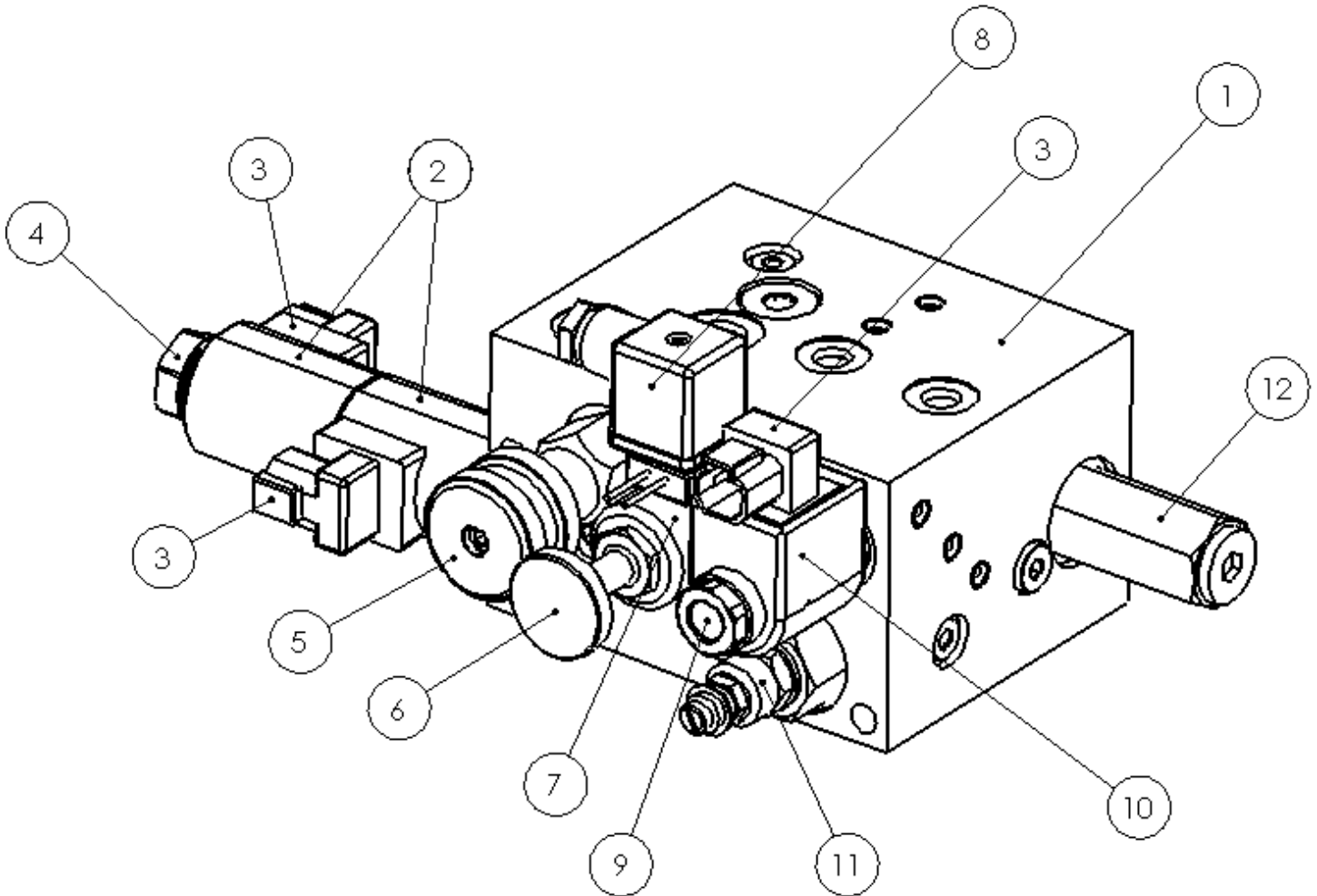
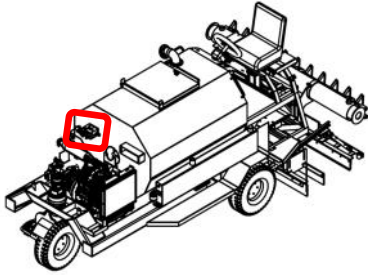


Figure 5-1. Front Manifold

# Parts Manual PavementSaver II

## Front Manifold

Table 5-1. Front Manifold

Figure & Item No.	Part No.	Description	Quantity
5-1-1	110001331	Front Manifold	1
5-1-2	110001332	Mixer Motor Coil Forward/Reverse	2
5-1-3a	110001333	Mixer Reverse Plug	1
5-1-3b	110001334	Mixer Forward Plug	1
5-1-3c	110001335	2 Speed Plug	1
5-1-4	110001336	Mixer Cartridge Forward/Reverse	1
5-1-5	110001337	Mixer Motor Speed Cartridge	1
5-1-6	110001338	Parking Brake Cartridge	1
5-1-7	110001339	Parking Brake Speed Coil	1
5-1-8	110001340	Parking Brake Sensing Element	1
5-1-9	110001341	Cartridge	1
5-1-10	110001342	2 Speed Coil	1
5-1-11	110001343	Pin	1
5-1-12	110001039	Cartridge	1

# Parts Manual PavementSaver II

## Front Manifold and Mixer Motor Port Identification

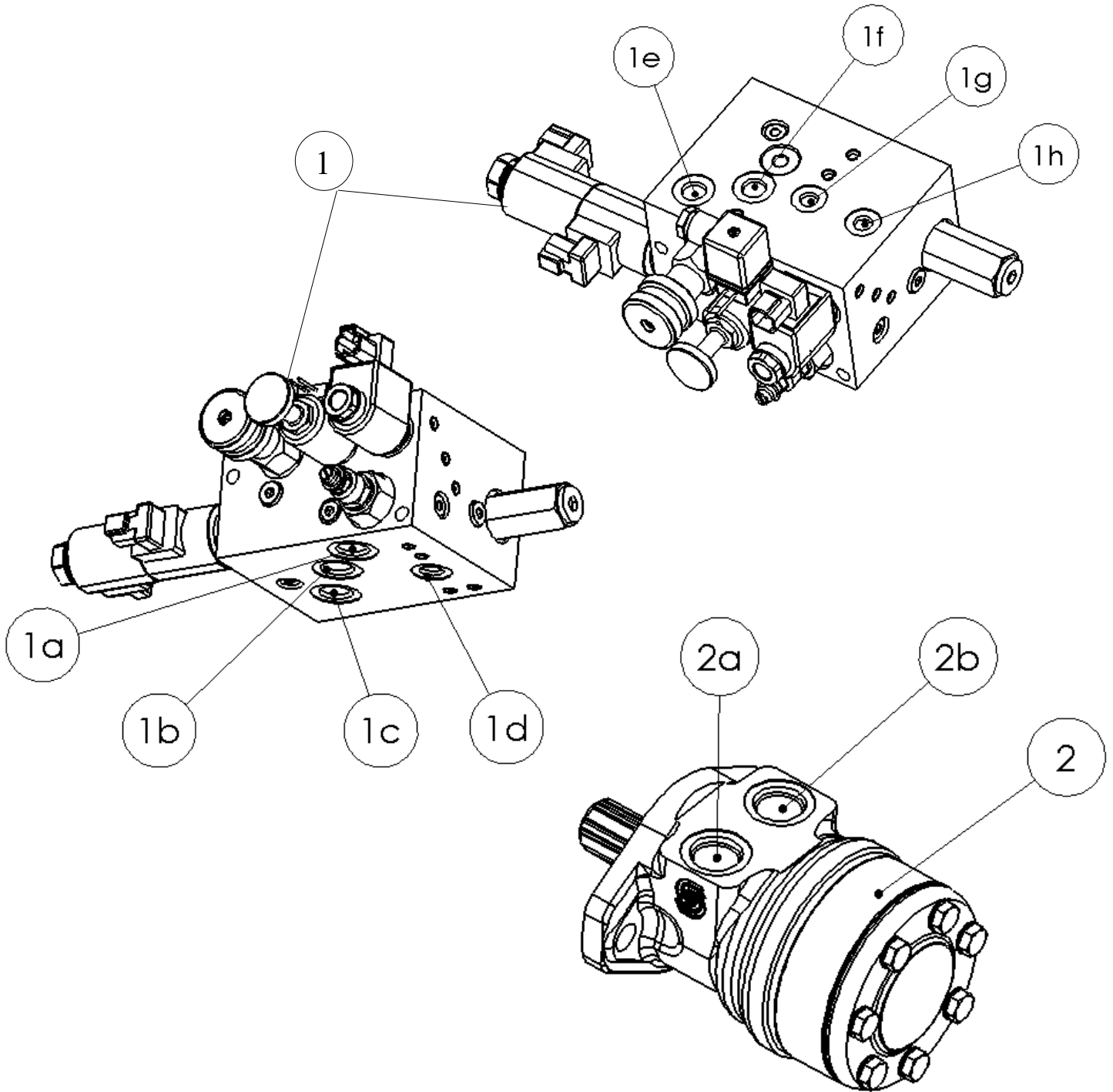


Figure 5-2. Front Manifold and Mixer Motor Identification



# Parts Manual PavementSaver II

## Front Manifold and Mixer Motor Port Identification

Table 5-2. Front Manifold and Mixer Motor Identification

Figure & Item No.	Part No.	Description	Quantity
5-2-1	—	Front Manifold	1
5-2-1a		Work Port	1
5-2-1b		Work Port	1
5-2-1c		Work Port	1
5-2-1d		Work Port	1
5-2-1e		Work Port	1
5-2-1f		Work Port	1
5-2-1g		Work Port	1
5-2-1h		Work Port	1
5-2-2	110001279	Mixer Motor	1
5-2-2a		Work Port	1
5-2-2b		Work Port	1

## 3—Stage Manifold Assembly

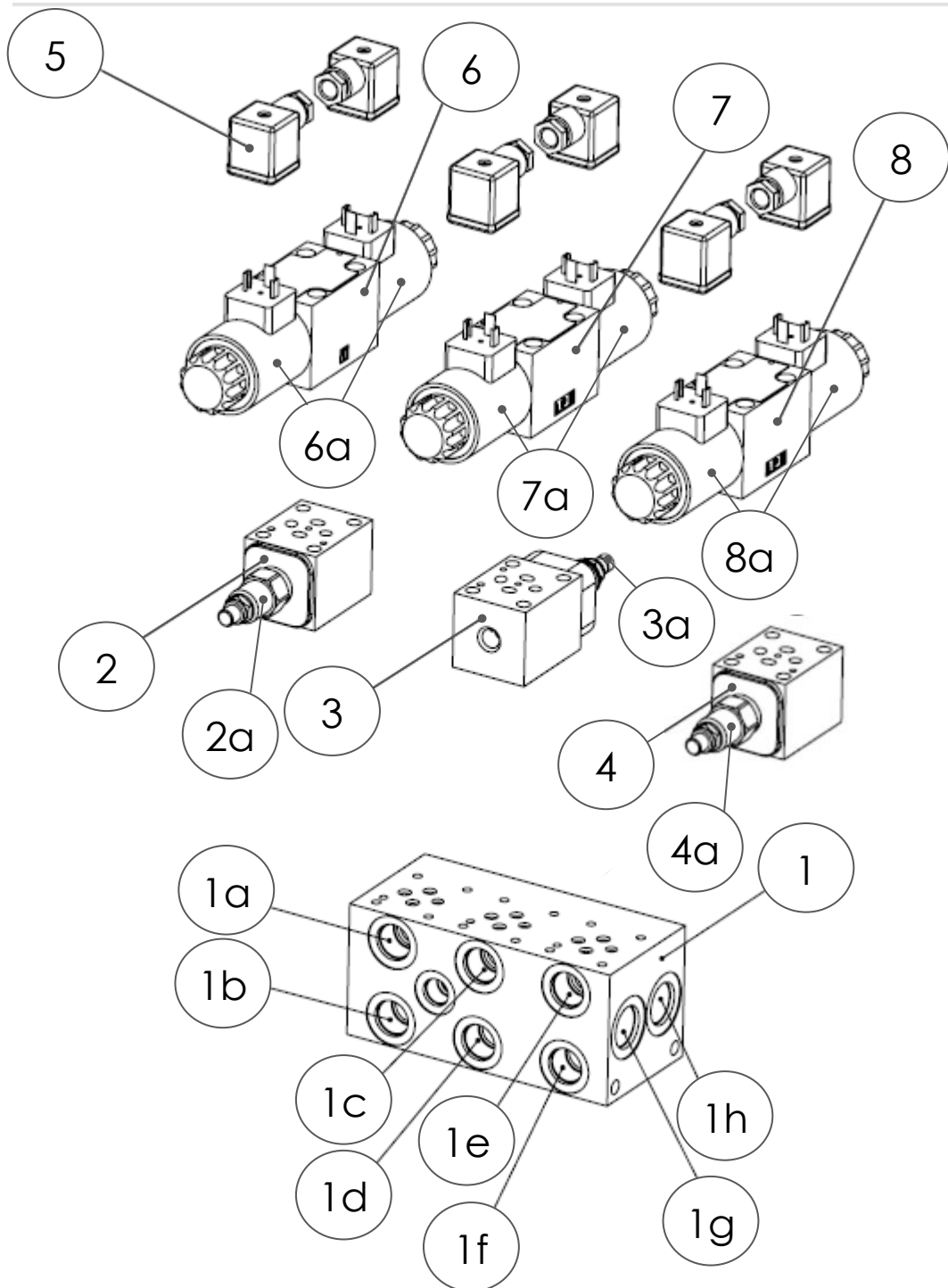
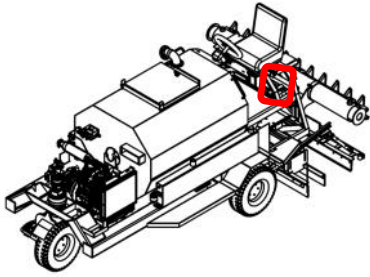


Figure 5-3. 3-Stage Manifold Assembly

# Parts Manual

## PavementSaver II

Table 5-3. 3-Stage Manifold Assembly

Figure & Item No.	Part No.	Description	Quantity
5-3-1	110001344	3 Stage Manifold Block	1
5-3-1a	—	Work Port	1
5-3-1b	—	Work Port	1
5-3-1c	—	Work Port	1
5-3-1d	—	Work Port	1
5-3-1e	—	Work Port	1
5-3-1f	—	Work Port	1
5-3-1g	—	Work Port	1
5-3-1h	—	Work Port	1
5-3-2	110001931	Flow Regulating Body	1
5-3-2a	110001933	Flow Regulating Cartridge	1
5-3-3	110003286	Valve Control Body	1
5-3-3a	110003124	Pressure Reducing Cartridge	1
5-3-4	110001931	Flow Regulating Body	1
5-4-4a	110001933	Flow Regulating Cartridge	1
5-3-5	110001348	Solenoid Electrical Connectors	6
5-3-6	110001349	Spray Bar Pivot/Open-Close Solenoid	1
5-3-6a	110004461	Replacement Solenoid	2
5-3-7	110001350	Pump On/Off Solenoid valve	1
5-3-7a	110004461	Replacement Solenoid	2
5-3-8	110001351	Box Lift Solenoid	1
5-3-8a	110004461	Replacement Solenoid	2

## 5—Stage Manifold Assembly

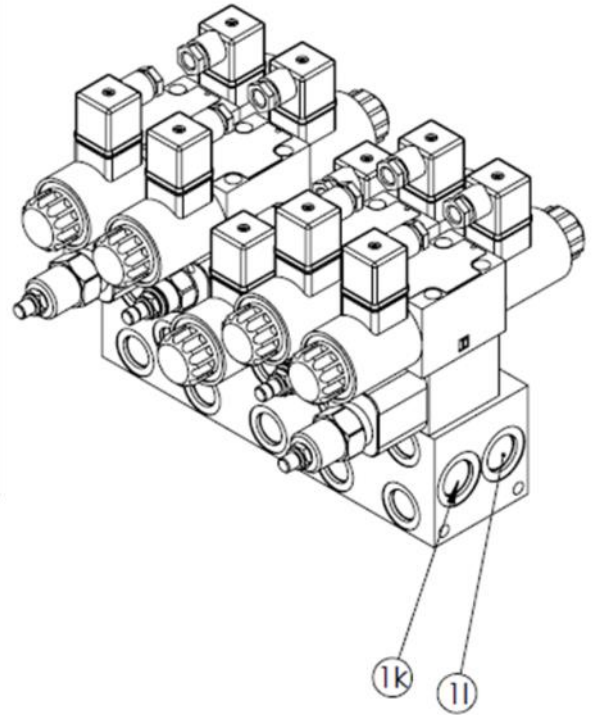
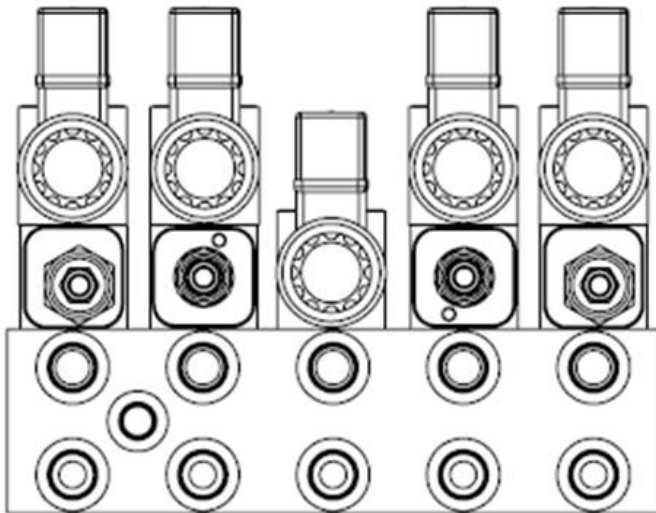
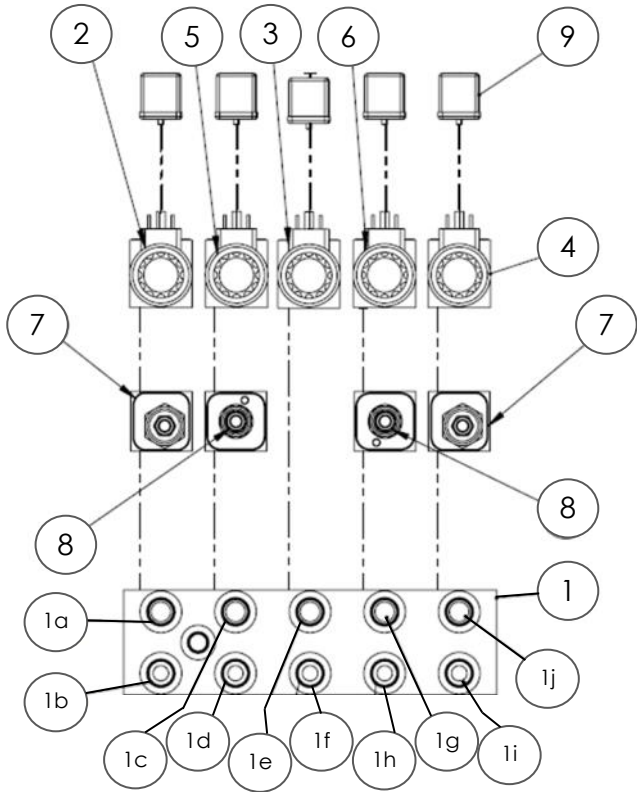
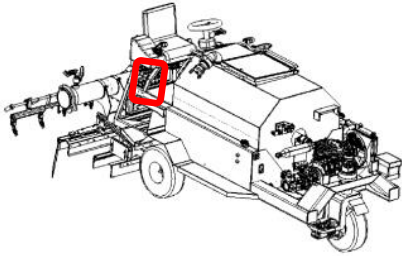


Figure 5-4. 5-Stage Manifold Assembly

# Parts Manual

## PavementSaver II

Table 5-4. 5-Stage Manifold Assembly

Figure & Item No.	Part No.	Description	Quantity
5-4-1	110001352	5 Stage Manifold Block	1
5-4-1a	—	Work Port	1
5-4-1b	—	Work Port	1
5-4-1c	—	Work Port	1
5-4-1d	—	Work Port	1
5-4-1e	—	Work Port	1
5-4-1f	—	Work Port	1
5-4-1g	—	Work Port	1
5-4-1h	—	Work Port	1
5-4-1i	—	Work Port	1
5-4-1j	—	Work Port	1
5-4-1k	—	Work Port	1
5-4-1l	—	Work Port	1
5-4-2	110001345	Right Wing Solenoid valve	1
5-4-2a	110004461	Replacement Solenoid	2
5-4-3	110001346	Pump On/Off Valve	1
5-4-3a	11000xxxx	Replacement Proportional Solenoid	2
5-4-4	110001347	Left Wing Solenoid valve	1
5-4-4a	110004461	Replacement Solenoid	2
5-4-5	110001348	Box Swing Solenoid Valve	1
5-4-5a	110004461	Replacement Solenoid	2
5-4-6	110001349	Box Lift Solenoid Valve	1
5-4-6a	110004461	Replacement Solenoid	2
5-4-7	110001956	Counter-Balance Body	2
5-4-7a	110001957	Counter-Balance Valve Cartridge	2
5-4-8	110001931	Flow Regulating Body	2
5-4-8a	110001933	Flow Control Valve Cartridge	2
5-4-9	110001344	Solenoid Electrical Connectors	5

## Material Pump Motor

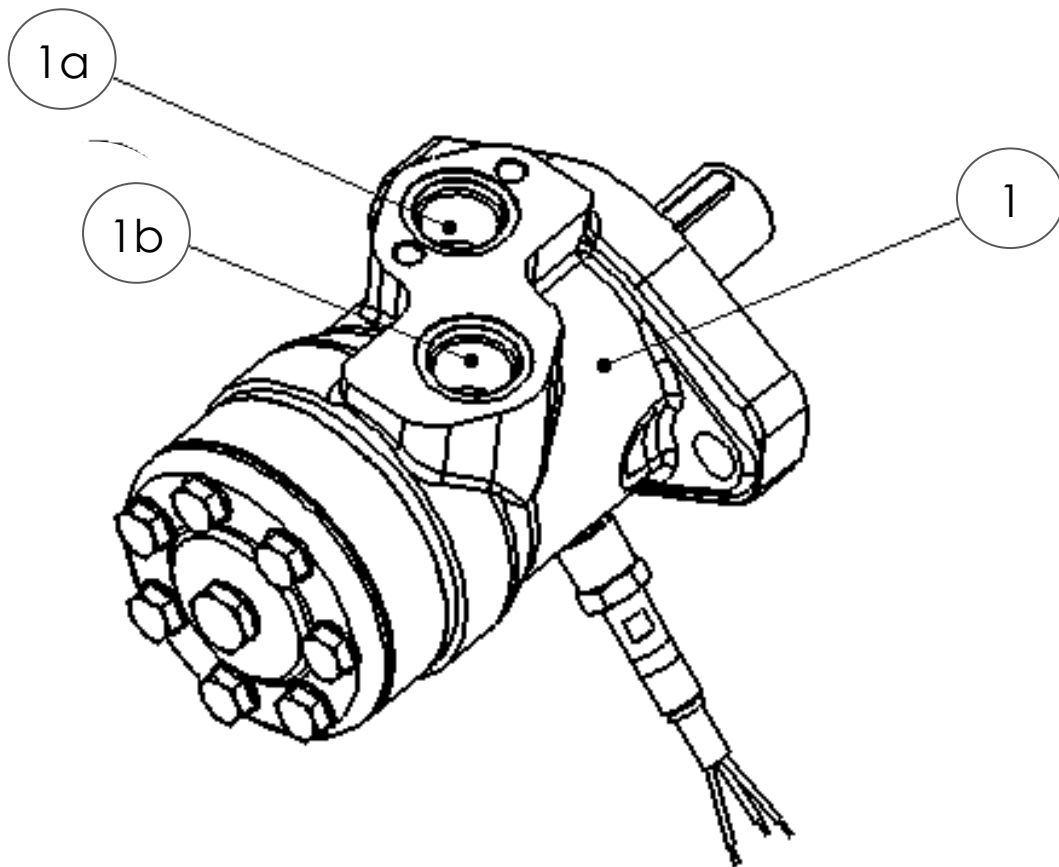
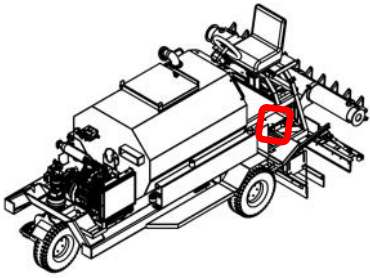


Figure 5-5. Pump Motor

# Parts Manual PavementSaver II

Table 5-5. Pump Motor

Figure & Item No.	Part No.	Description	Quantity
5-5-1	110001256– Non-Computerized or 110001257- Computerized	Material Pump Motor	1
5-5-1a	—	Work Port	1
5-5-1b	—	Work Port	1

## Dragbox Ram

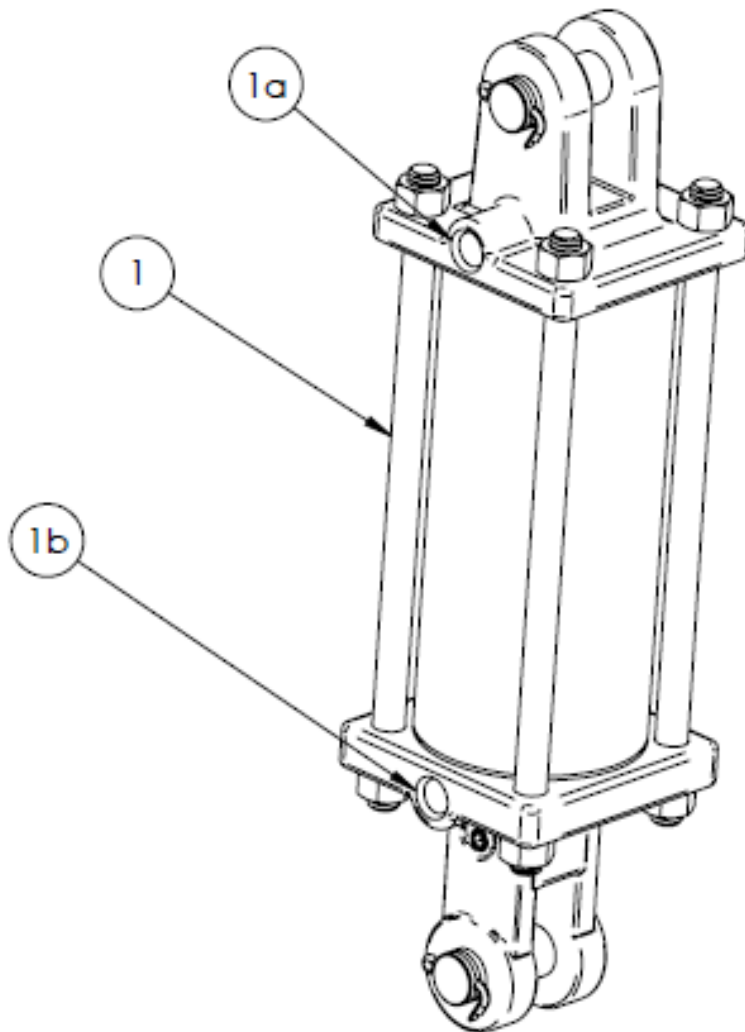
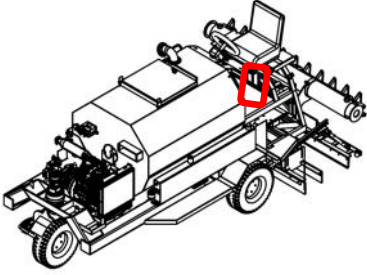


Figure 5-6. Dragbox up/down Cylinder



## Spray Bar Ram

Table 5-6. Spray Bar Ram

Figure & Item No.	Part No.	Description	Quantity
5-6-1	110004367	Dragbox Up/Down cylinder	1
5-6-1a	—	Work Port	1
5-6-1b	—	Work Port	1
	110003897	Shackle	2
	110003898	Chain—Call out 23 links	



## Knife Valve Solenoid Assembly

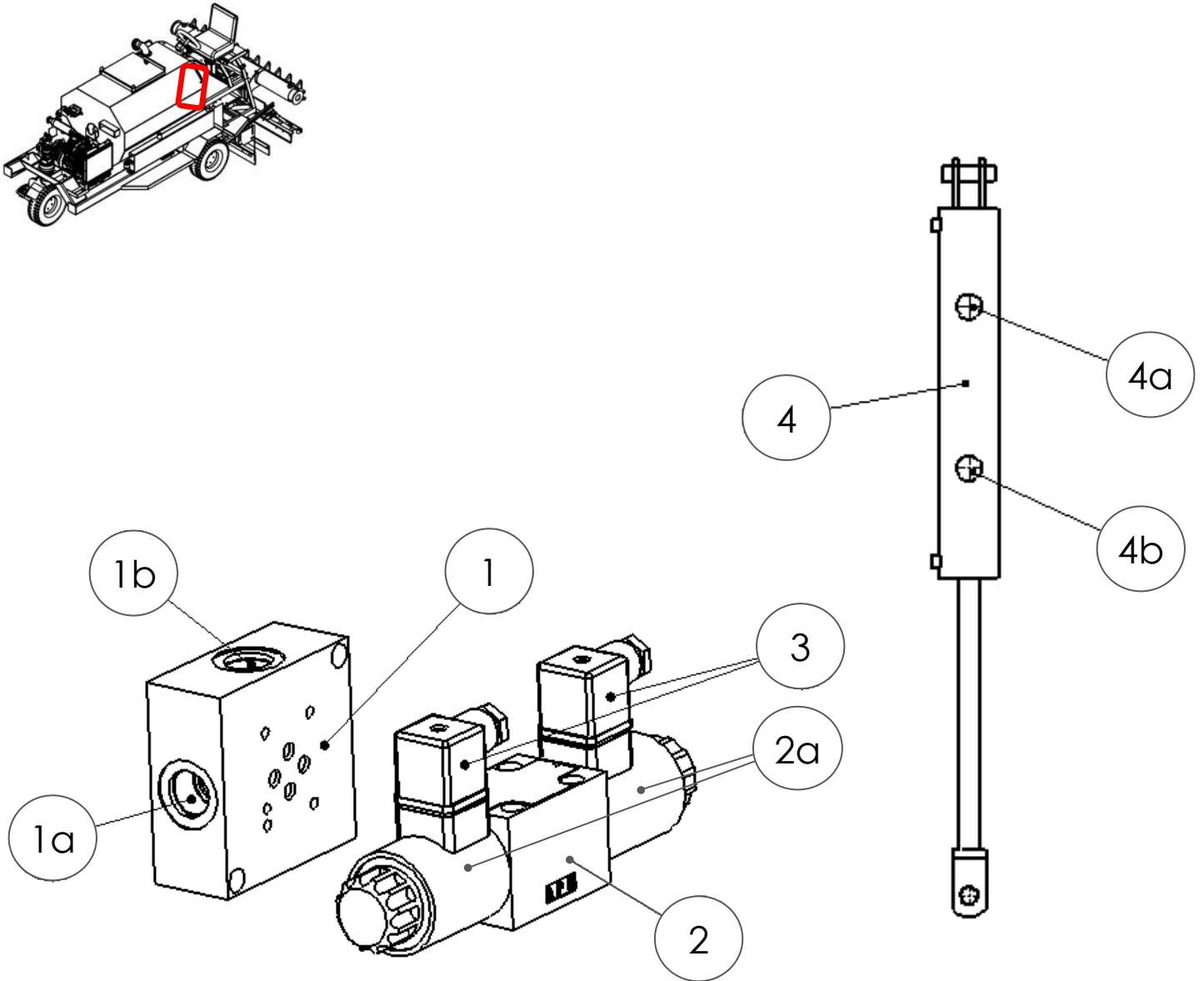


Figure 5-7. Knife Valve Solenoid Assembly

# Parts Manual PavementSaver II

## Knife Valve Solenoid Assembly

Table 5-7. Knife Valve Solenoid Assembly

Figure & Item No.	Part No.	Description	Quantity
5-7-1	110001739	1-Stage Manifold	1
5-7-1a	—	Work Port	1
5-7-1b	—	Work Port	1
5-7-2	110001936	Knife Valve Solenoid Valve	1
5-7-2A	110004461	Replacement Solenoid	2
5-7-3	110001344	Solenoid Electrical Connector	2
5-7-4	110001023	Knife Valve Cylinder	1
5-7-4a	—	Work Port	1
5-7-4b	—	Work Port	1

## 2 Stage Manifold

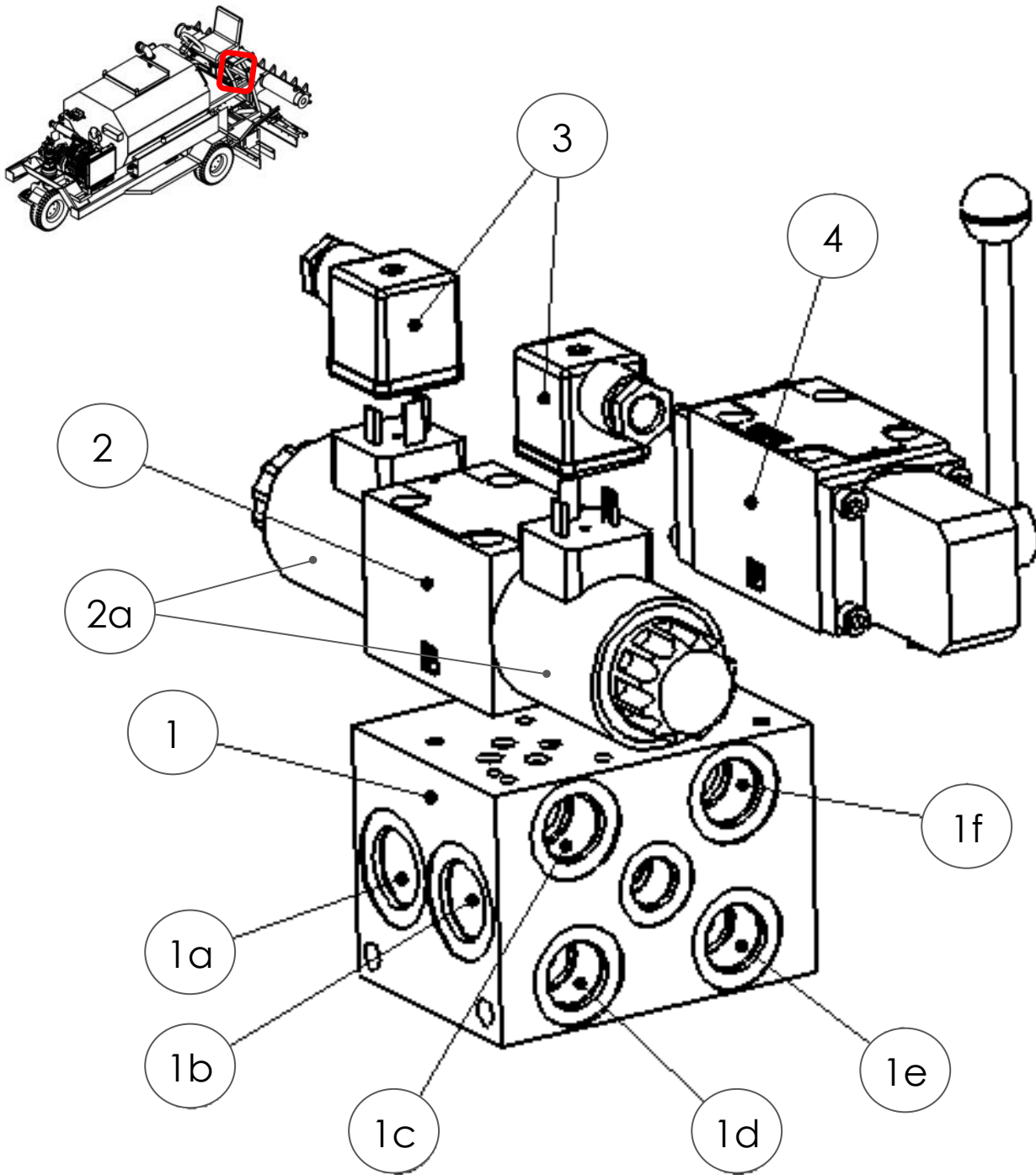


Figure 5-8. 2-Stage Manifold

## 2 Stage Manifold

Table 5-8. 2-Stage Manifold

Figure & Item No.	Part No.	Description	Quantity
5-8-1	110001356	2 Stage Manifold	1
5-8-1a	—	Work Port	1
5-8-1b	—	Work Port	1
5-8-1c	—	Work Port	1
5-8-1d	—	Work Port	1
5-8-1e	—	Work Port	1
5-8-1f	—	Work Port	1
5-8-2	110001349	Spray Bar Open-Close Solenoid Valve	1
5-8-3	110001348	Solenoid Electrical Connector	2
5-8-4	110001357	Manual Lift Arm Valve	1

## Material Valve

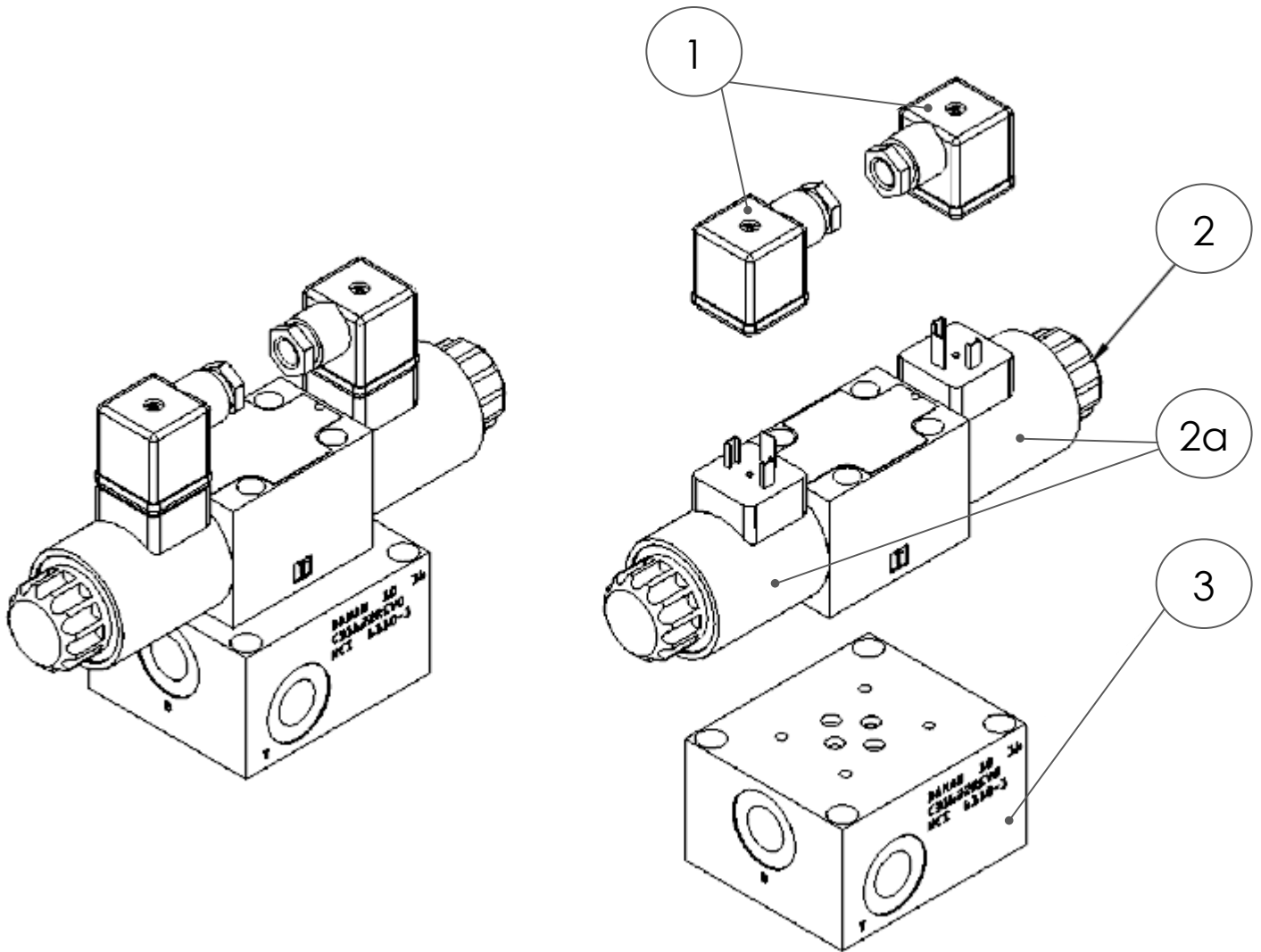
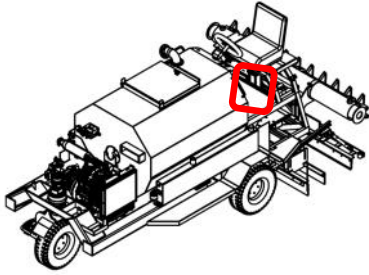


Figure 5-9. Material Valve

**Material Valve**

Table 5-9. Material Valve

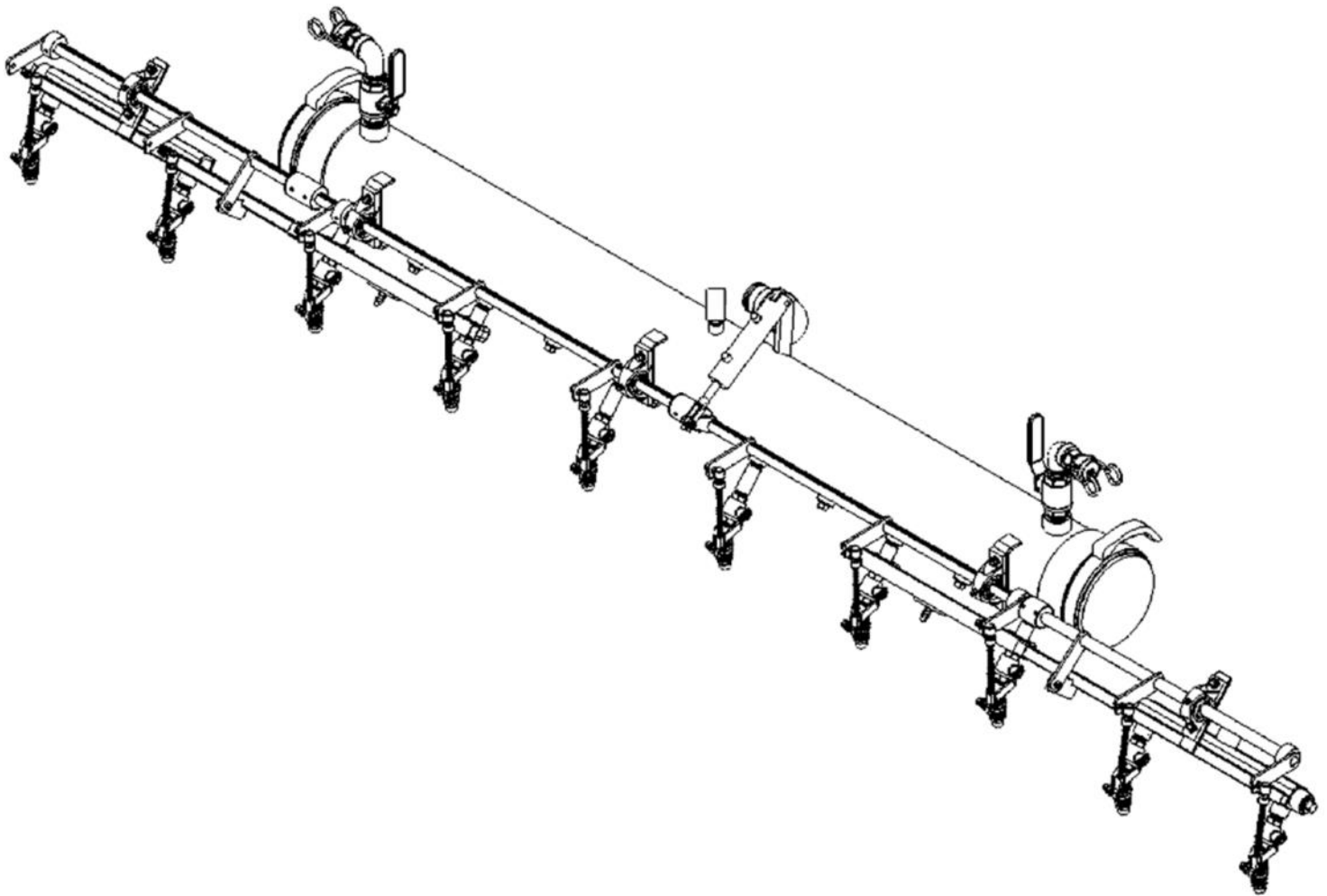
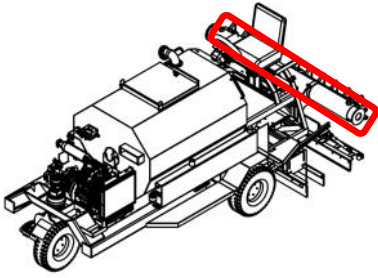
<b>Figure &amp; Item No.</b>	<b>Part No.</b>	<b>Description</b>	<b>Quantity</b>
5-9-1	110001348	Solenoid Electrical Connector	2
5-9-2	110001345	DO3 Valve for Material Valve	1
5-9-2a	110004461	Replacement Solenoid	2
5-9-3	110001937	Material Valve Sub Plate	1

# Parts Manual PavementSaver II

*Page Left Intentionally Blank*



## Section 6 Spray Bar



## Spray Bar Exploded View

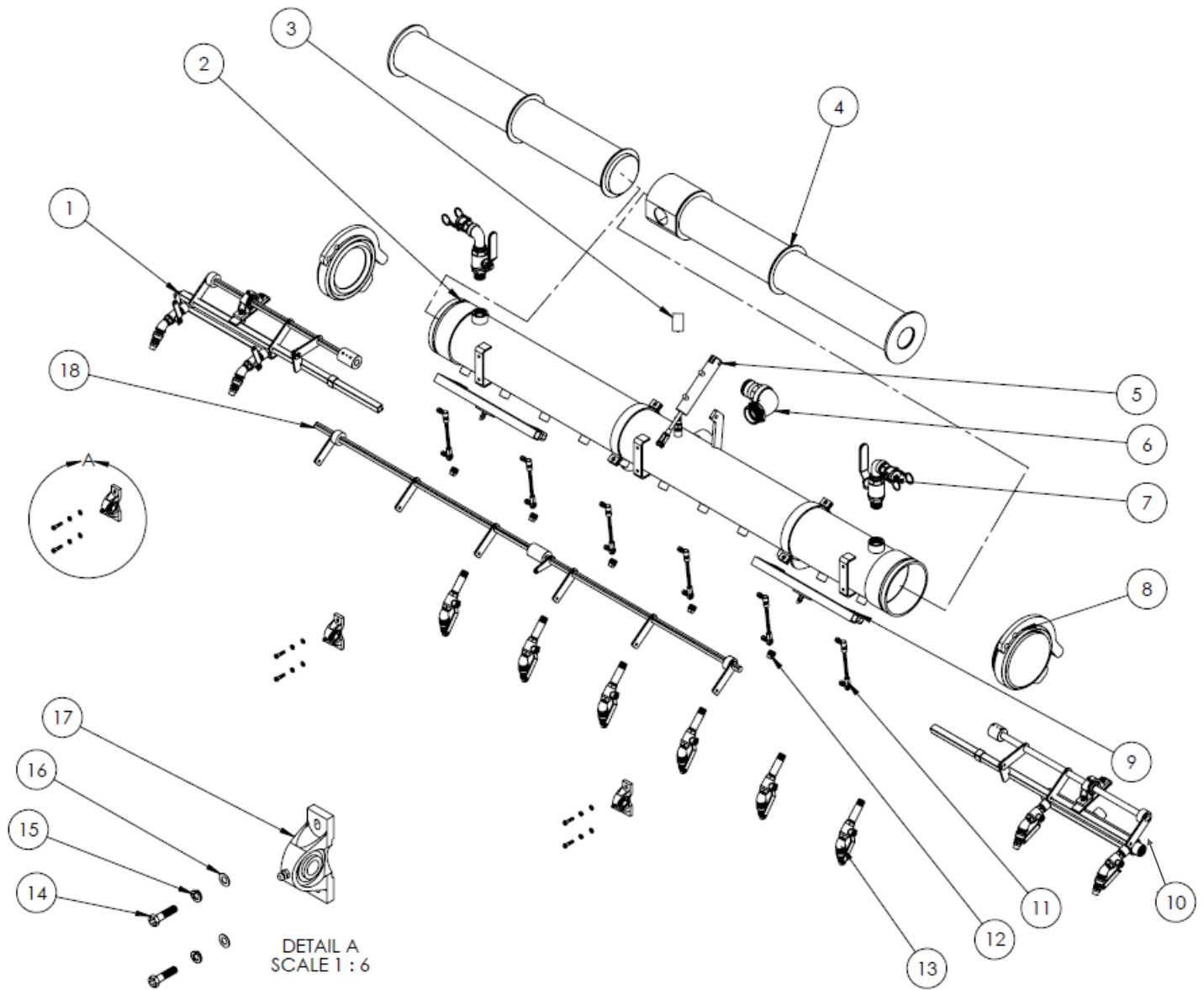


Figure 6-1. Spray Bar Exploded View

### Spray Bar Exploded View

Table 6-1. Spray Bar Exploded View

Figure & Item No.	Part No.	Description	Quantity
6-1-1	Figure 6-11	Left Extension Assembly	
6-1-2	---	Spray Bar	1
6-1-3	110001359	Pressure Gauge	1
6-1-4	Figure 6-7	Filter Assembly	1
6-1-5	110003051	Hydraulic Cylinder Assembly	1
6-1-6	---	Fitting to Attach Spray Bar to Pump	1
6-1-7	---	Spray Wand Attachment Assembly	2
6-1-8	Figure 6-12	Clamp Assembly	2
6-1-9	110002735	Extension Mount	2
6-1-10	---	Right Extension Assembly	
6-1-11	110001362	Valve Linkage Assembly	6
6-1-12	110000671	3/4" Steel Plug	5
6-1-13	110004471	Spray Bar Nozzle Assembly	6
6-1-14	110003049	3/8-16, 1-1/2" Hex Bolt	6
6-1-15	110001274	3/8" Lock Washer	18
6-1-16	110003050	3/8" Flat Washer	6
6-1-17	110001364	7/8" Flange Mount Ball Bearing	3
6-1-18	---	Main Rod Assembly	1

## Spray Bar Nozzle Assembly

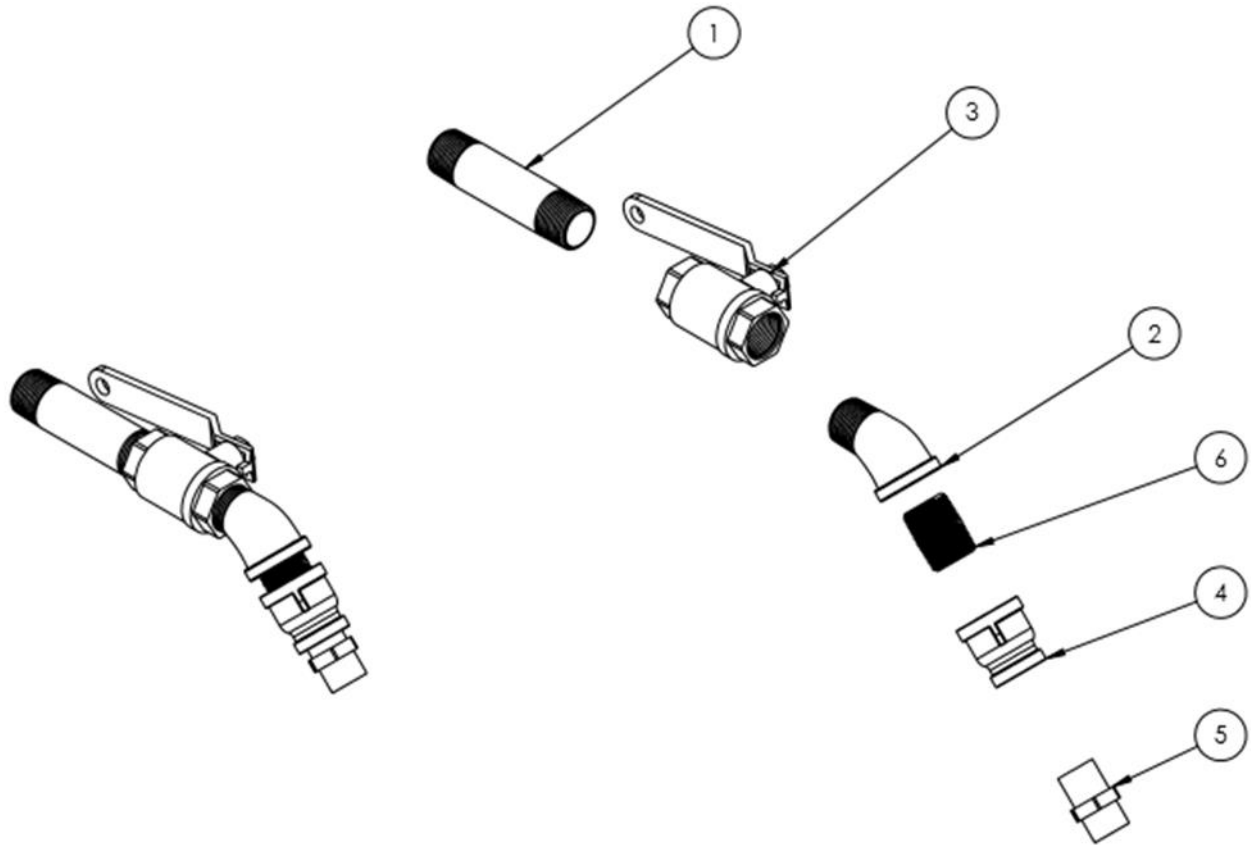
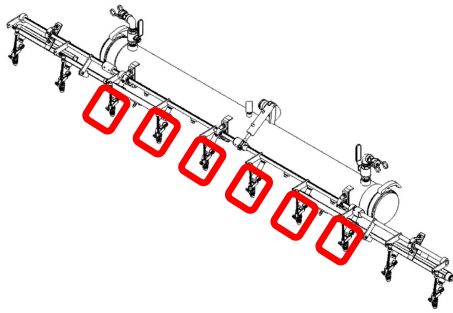


Figure 6-2. Nozzle Assembly

## Spray Bar Nozzle Assembly

Table 6-2. Spray Bar Nozzle Assembly

Figure & Item No.	Part No.	Description	Quantity
6-2-1	110002422	3/4" x 4" Nipple	1
6-2-2	110002417	3/4" Street 45 Elbow	1
6-2-3	110000878	3/4" Ball Valve	1
6-2-4	110002421	3/4" to 1/2" Reducer	1
	110001047	* Spray Tip, 80/70– Standard	
		<u>Options:</u>	
6-2-5	110001469	Spray Tip, 80/100	1
	110002639	Spray Tip, 80/150	
	110002640	Spray Tip, 80/200	
	110002978	Spray Tip, 80/50	
6-2-6	110000162	3/4" x Close Nipple	1

\* Spray Tips are Defined as Follows:

First digits are the spray angle / second digits are the flow rate

Example 80/70- 80 degree spray with a flow rate of 7.0 gallons/minute of water @ 40psi

## Standard Valve Linkage

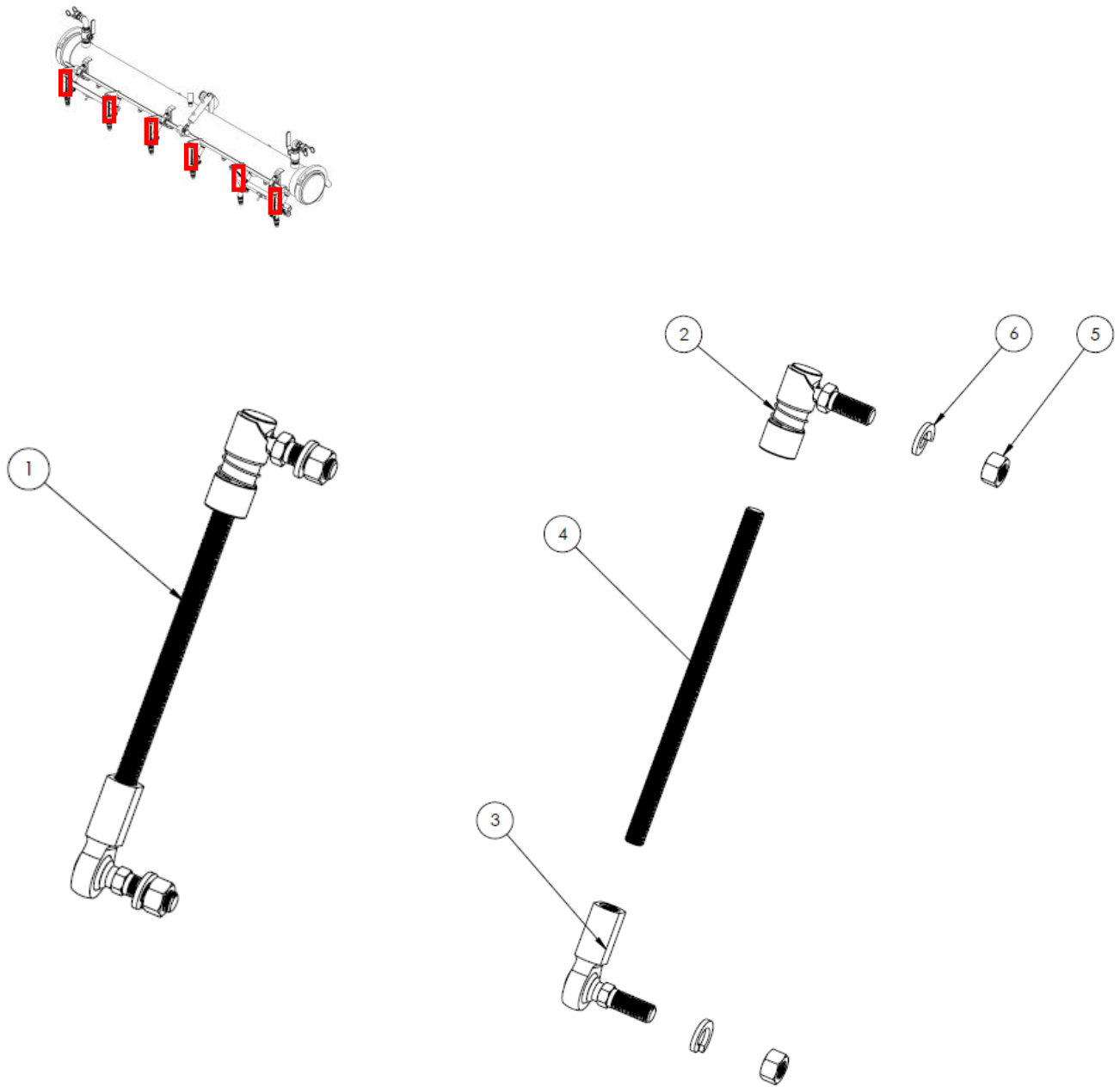


Figure 6-3. Valve Linkage, Short

## Standard Linkage Assembly

Table 6-3. Standard Valve Linkage, Short

Figure & Item No.	Part No.	Description	Quantity
6-3-1	110001362	Linkage, Short	6
6-3-2	110002179	3/8"-24 Quick Disconnect	6
6-3-3	110002175	3/8"-24 Rod End	6
6-3-4	11000xxxx	Threaded Rod	6
6-3-5	11000xxxx	3/8"-24 Hex Nut	12
6-3-6	110001274	3/8" Lock Washer	12

## Extension Valve Linkage

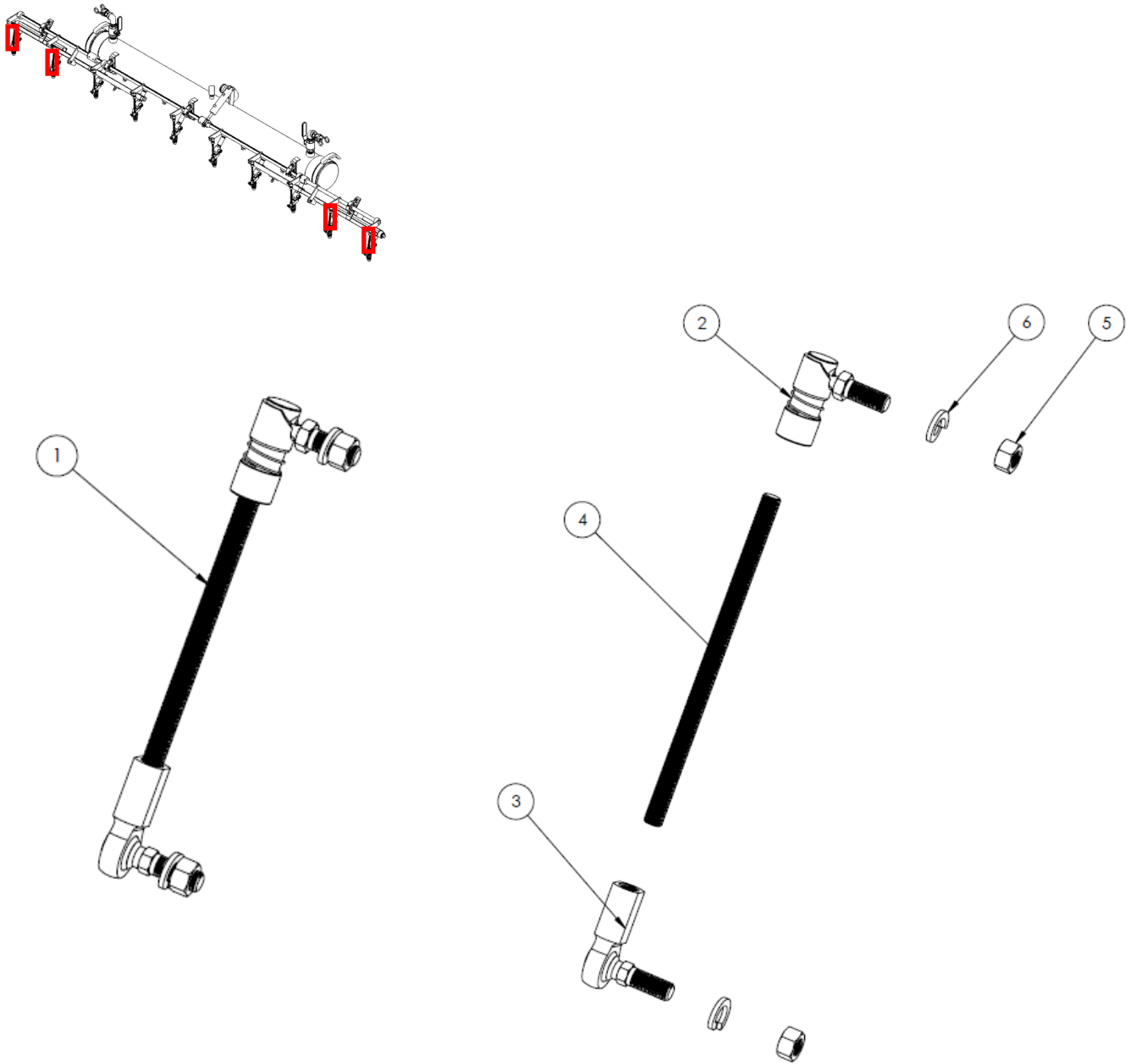


Figure 6-4. Extension Valve Linkage, Long



## Extension Linkage Assembly

Table 6-4. Extension Valve Linkage, Long

Figure & Item No.	Part No.	Description	Quantity
6-4-1	110003870	Linkage, Long	4
6-4-2	110002179	3/8"-24 Quick Disconnect	6
6-4-3	110002175	3/8"-24 Rod End	6
6-4-4	11000xxxx	Threaded Rod	6
6-4-5	11000xxxx	3/8"-24 Hex Nut	12
6-4-6	110001274	3/8" Lock Washer	12

## Main Rod Assembly

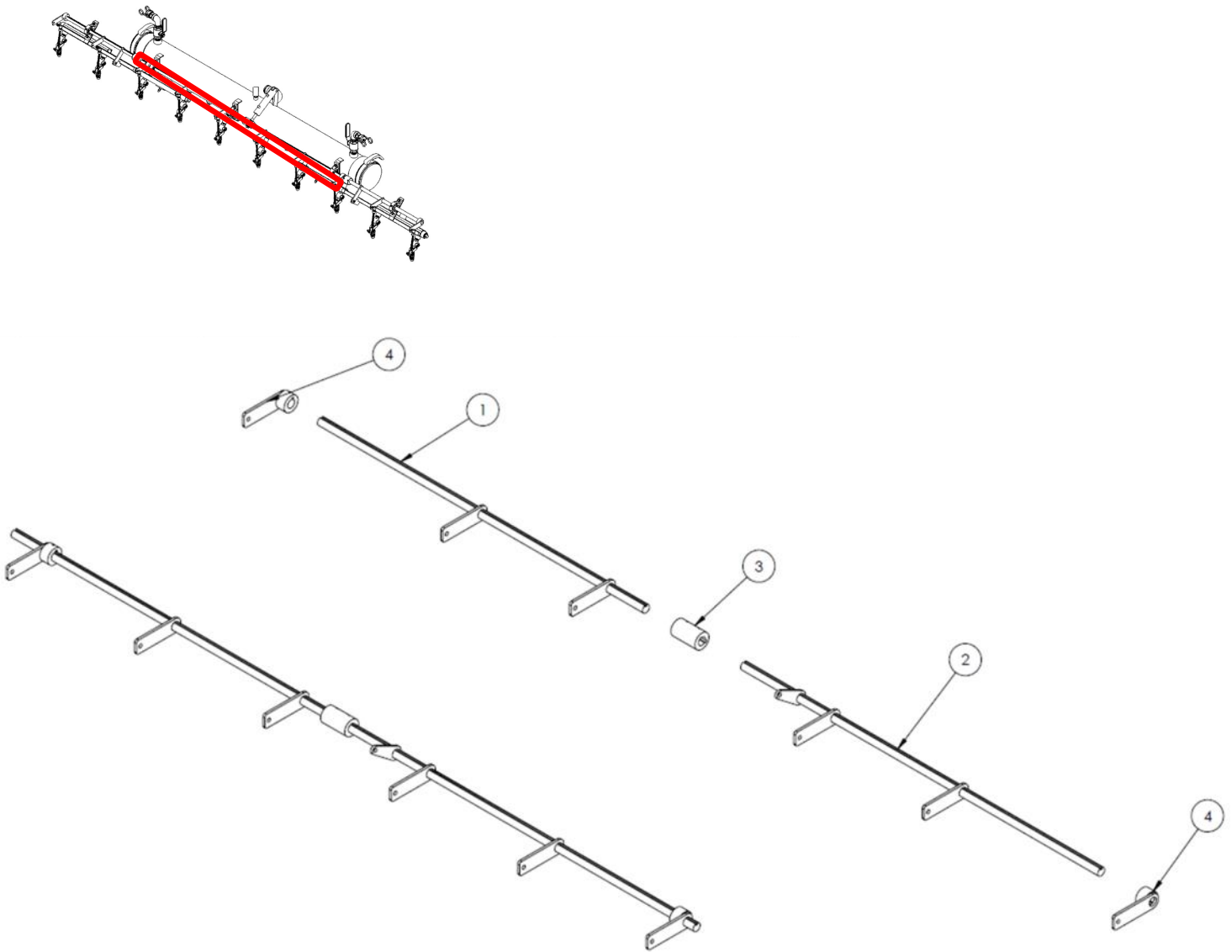


Figure 6-5. Main Rod Assembly

## Main Rod Assembly

Table 6-5. Main Rod Assembly

Figure & Item No.	Part No.	Description	Quantity
6-5-1	---	Left Main Rod	1
6-5-2	---	Right Main Rod	1
6-5-3	110002203	Coupling	1
6-5-4	---	Outer Coupling with Lever	2
6-5-5	---	1/4"-20 Set Screws for Couplings	4

# Parts Manual PavementSaver II

## Spray Extension Hose Attachment Assembly

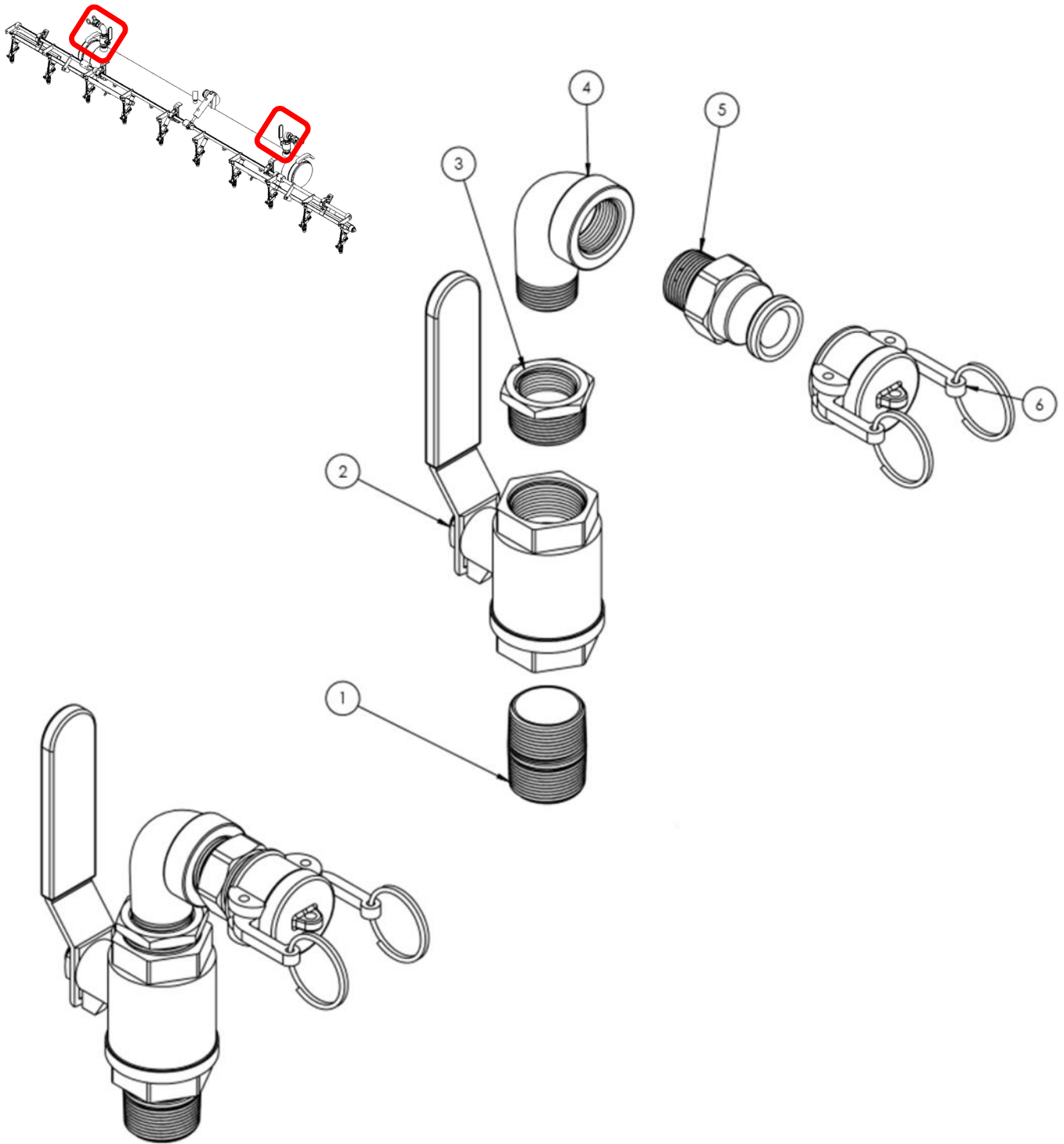


Figure 6-6. Spray Extension Hose Attachment Assembly

# Parts Manual PavementSaver II

## Spray Extension Hose Attachment Assembly

Table 6-6. Spray Extension Hose Attachment Assembly

Figure & Item No.	Part No.	Description	Quantity
6-6-1	110000159	1-1/4" Close Nipple	2
6-6-2	110001871	1-1/4" Ball Valve	2
6-6-3	110003052	1-1/4" to 1" Bushing	2
6-6-4	110000259	1" Street 90 Elbow	2
6-6-5	110002357	Camlock 1" Male x 1" Male Pipe	2
6-6-6	110002356	Camlock 1" Dust Cap	2

## Filter Assembly

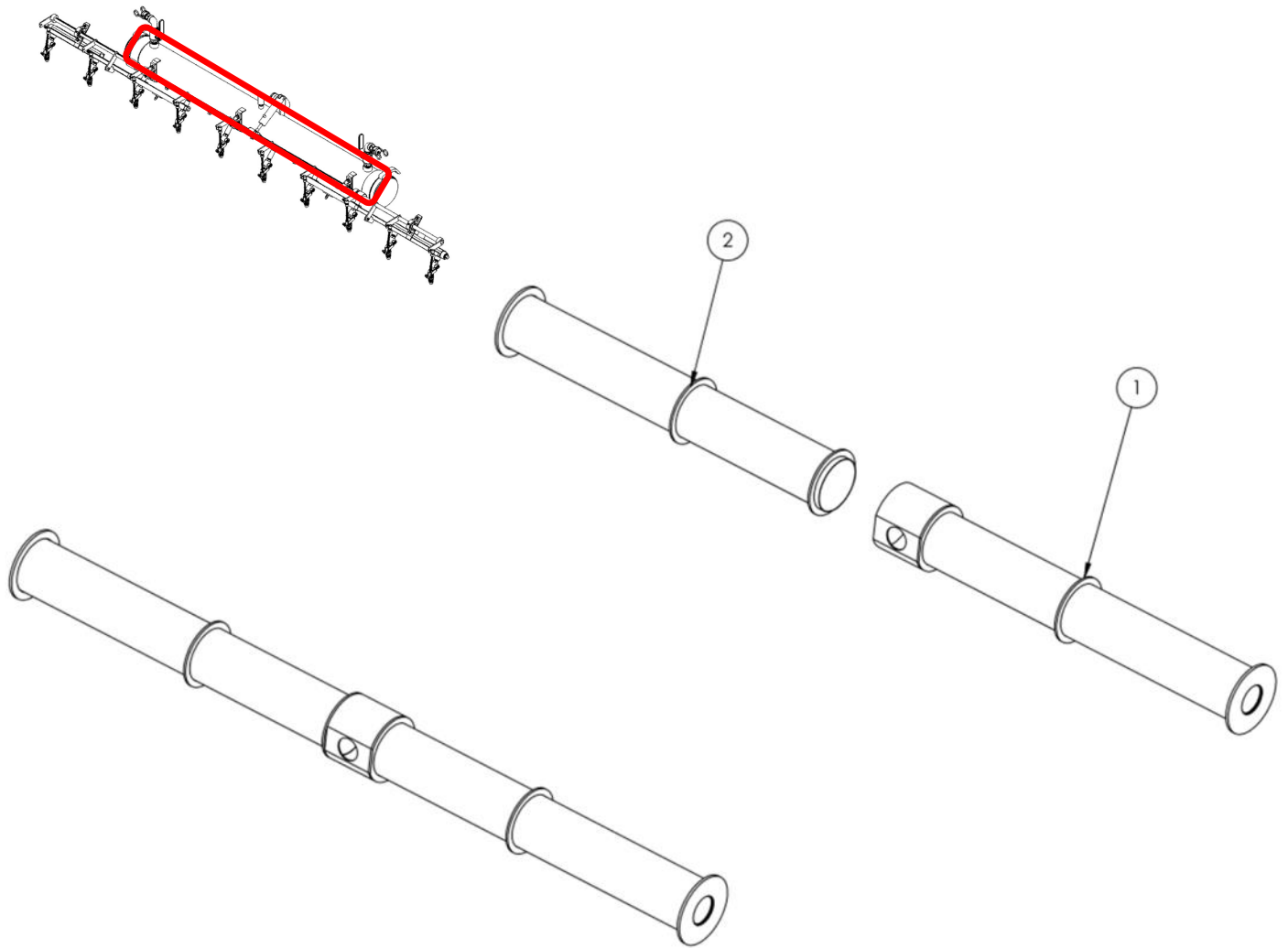


Figure 6-7. Filter Assembly

## Filter Assembly

Table 6-7. Filter Assembly

Figure & Item No.	Part No.	Description	Quantity
6-7-1	110002700	Spray Bar Filter, Standard (70) with Can	1
6-7-2	110002701	Spray Bar Filter, Standard (70) without Can	1
<b><u>Optional</u></b>			
6-7-1	110002940	Spray Bar Filter, Oversized (100) with Can	1
6-7-2	110002941	Spray Bar Filter, Oversized (100) without Can	1

## Extension Receiver Tube Assembly

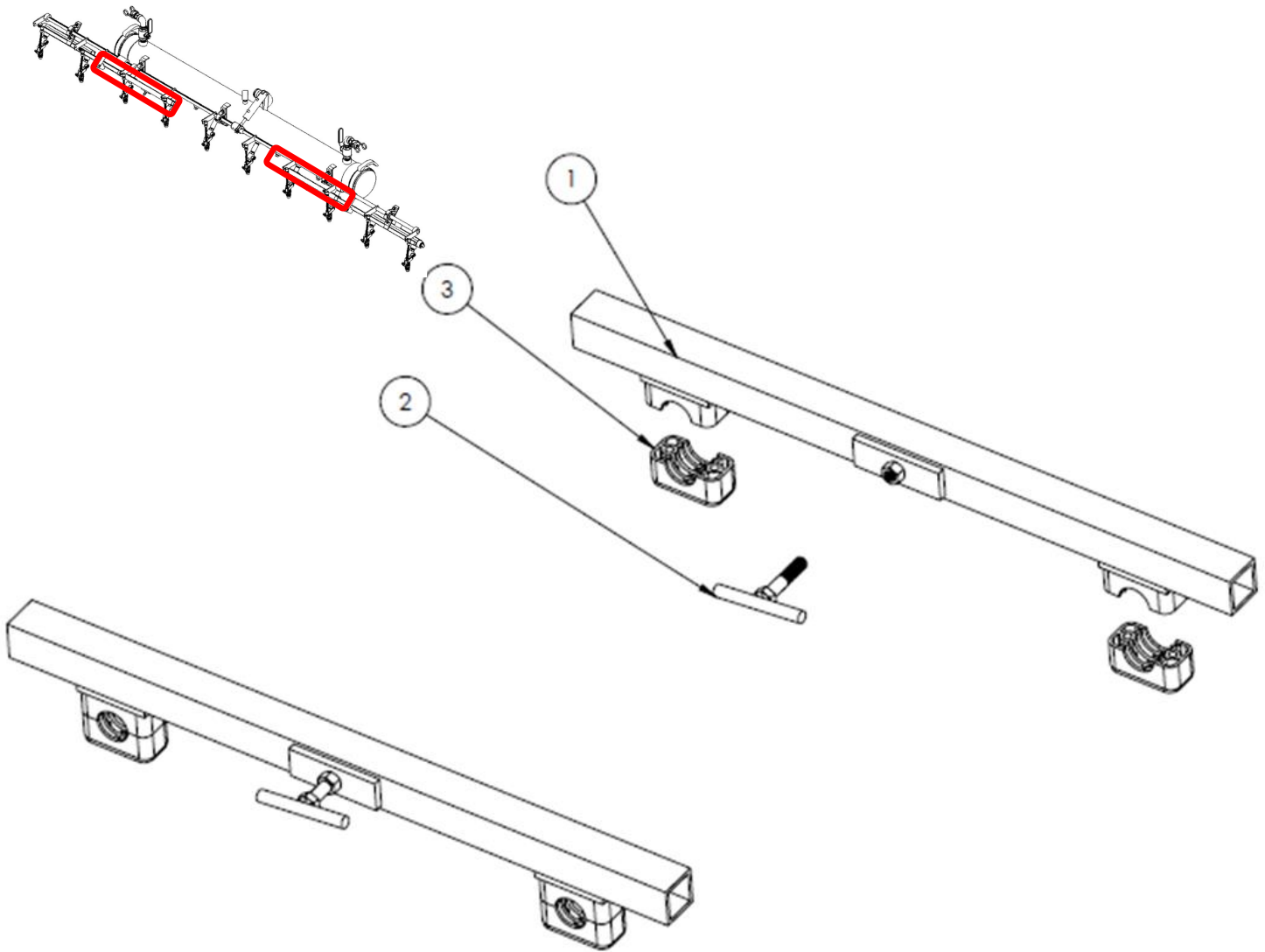


Figure 6-8 Extension Receiver Tube Assembly



# Parts Manual PavementSaver II

## Extension Receiver Tube Assembly

Table 6-8. Extension Receiver Tube Assembly

<b>Figure &amp; Item No.</b>	<b>Part No.</b>	<b>Description</b>	<b>Quantity</b>
6-8-1	110002735	Extension Receiver Tube	2
6-8-2	110003200	Bolt Handle	2
6-8-3	110003769	3/4" Weld-On Pipe Clamp	4

## Fitting Assembly Pump to Spray Bar

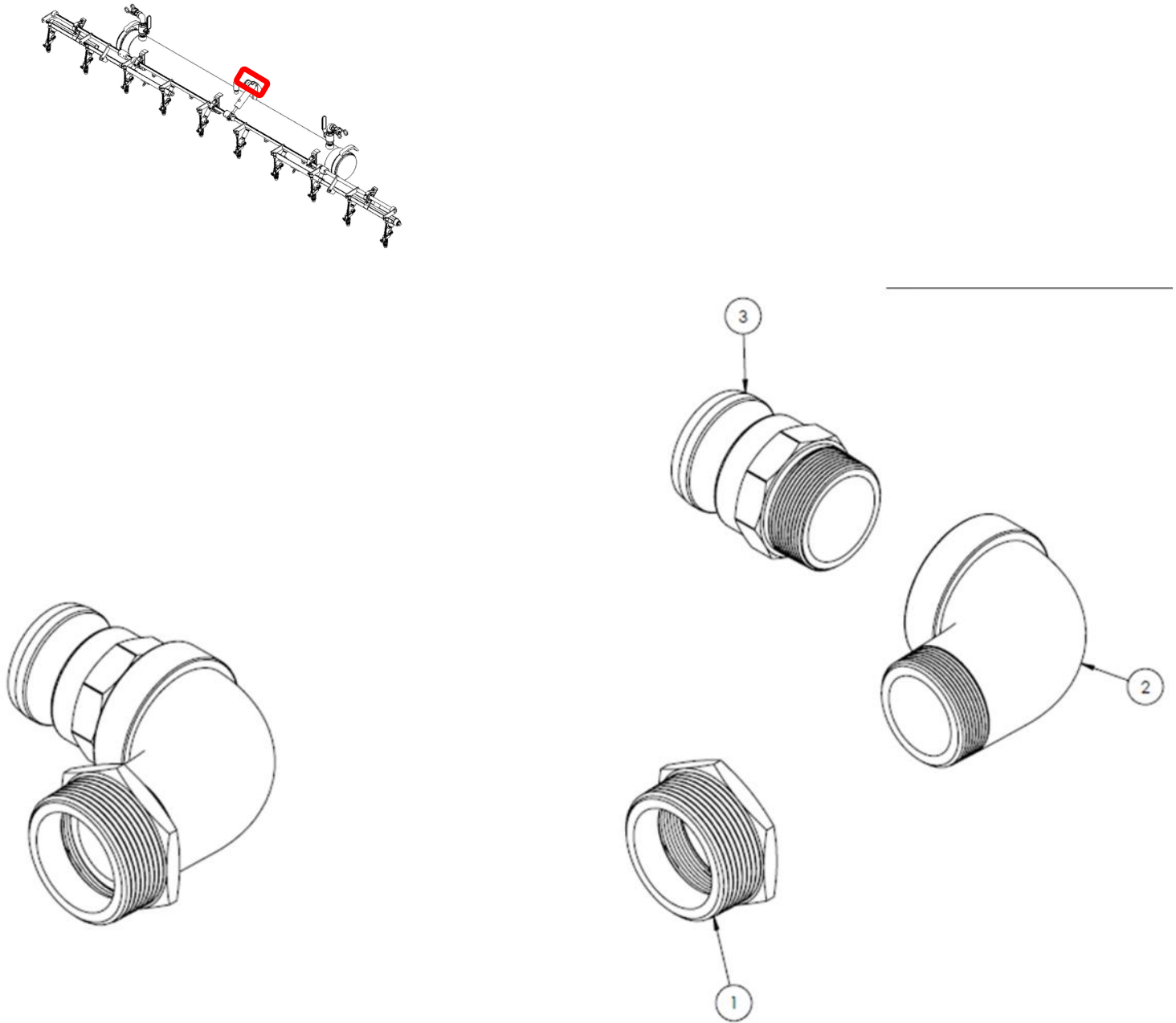


Figure 6-9 Fitting Assembly Pump to Spray Bar

**Parts Manual  
PavementSaver II****Fitting Assembly Pump to Spray Bar**

Table 6-9. Extension Receiver Tube Assembly

<b>Figure &amp; Item No.</b>	<b>Part No.</b>	<b>Description</b>	<b>Quantity</b>
6-9-1	110000101	2" to 2-1/2" Bushing	1
6-9-2	110000264	2" Street 90 Elbow	1
6-9-3	110000125	2" F-Camlock	1

## Hydraulic Cylinder

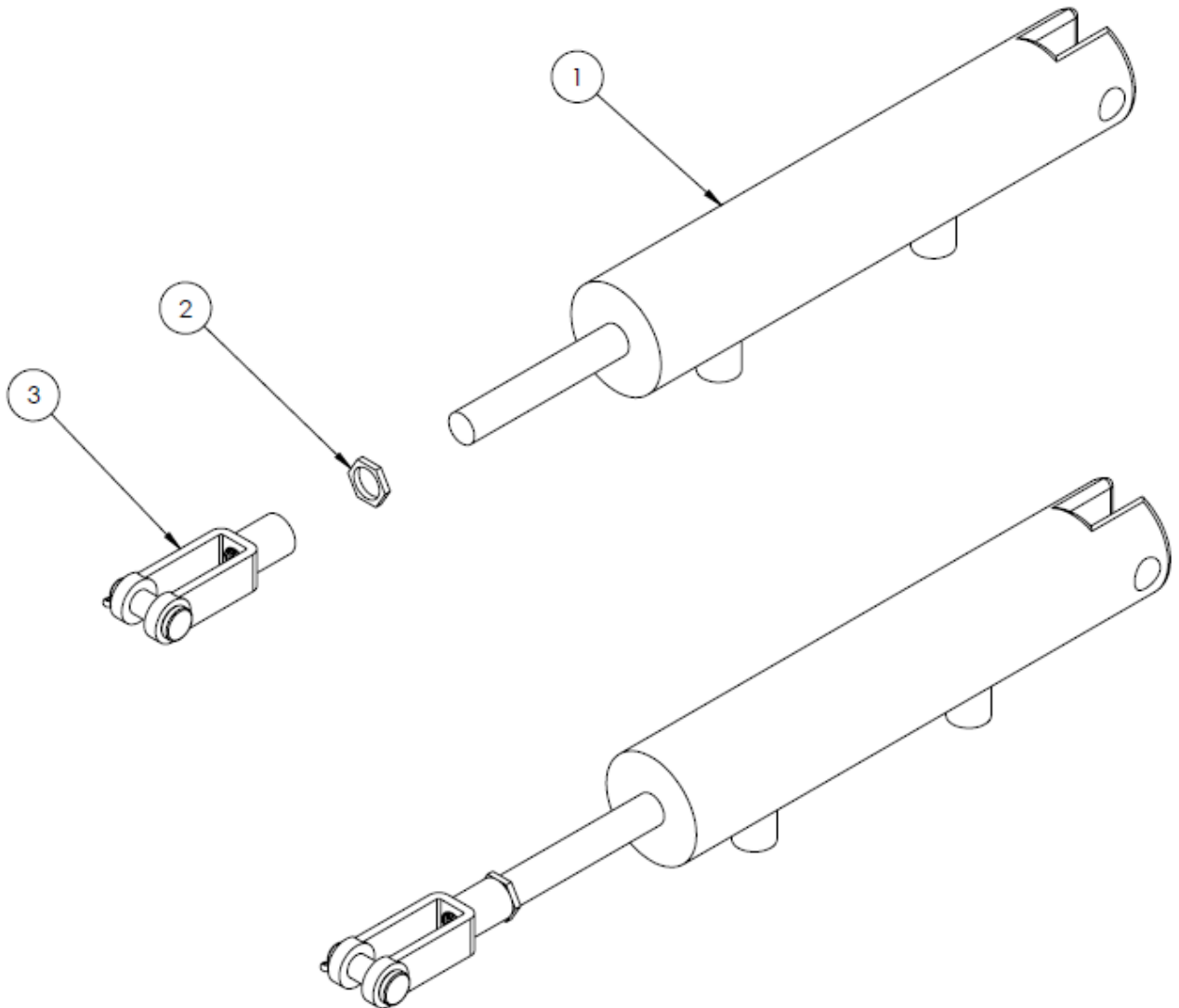
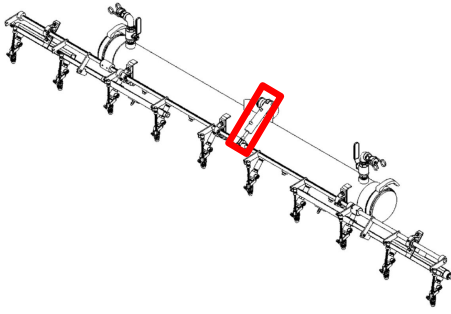


Figure 6-10 Hydraulic Cylinder

## Hydraulic Cylinder

Table 6-10. Hydraulic Cylinder

Figure & Item No.	Part No.	Description	Quantity
6-10-1	110001358	Hydraulic Cylinder	1
6-10-2	11000xxxx	Lock Nut	1
6-10-3	110002176	3/8-24 x 2-1/2" Forged Clevis Rod End	1

## Standard Spray Bar Extension, Left

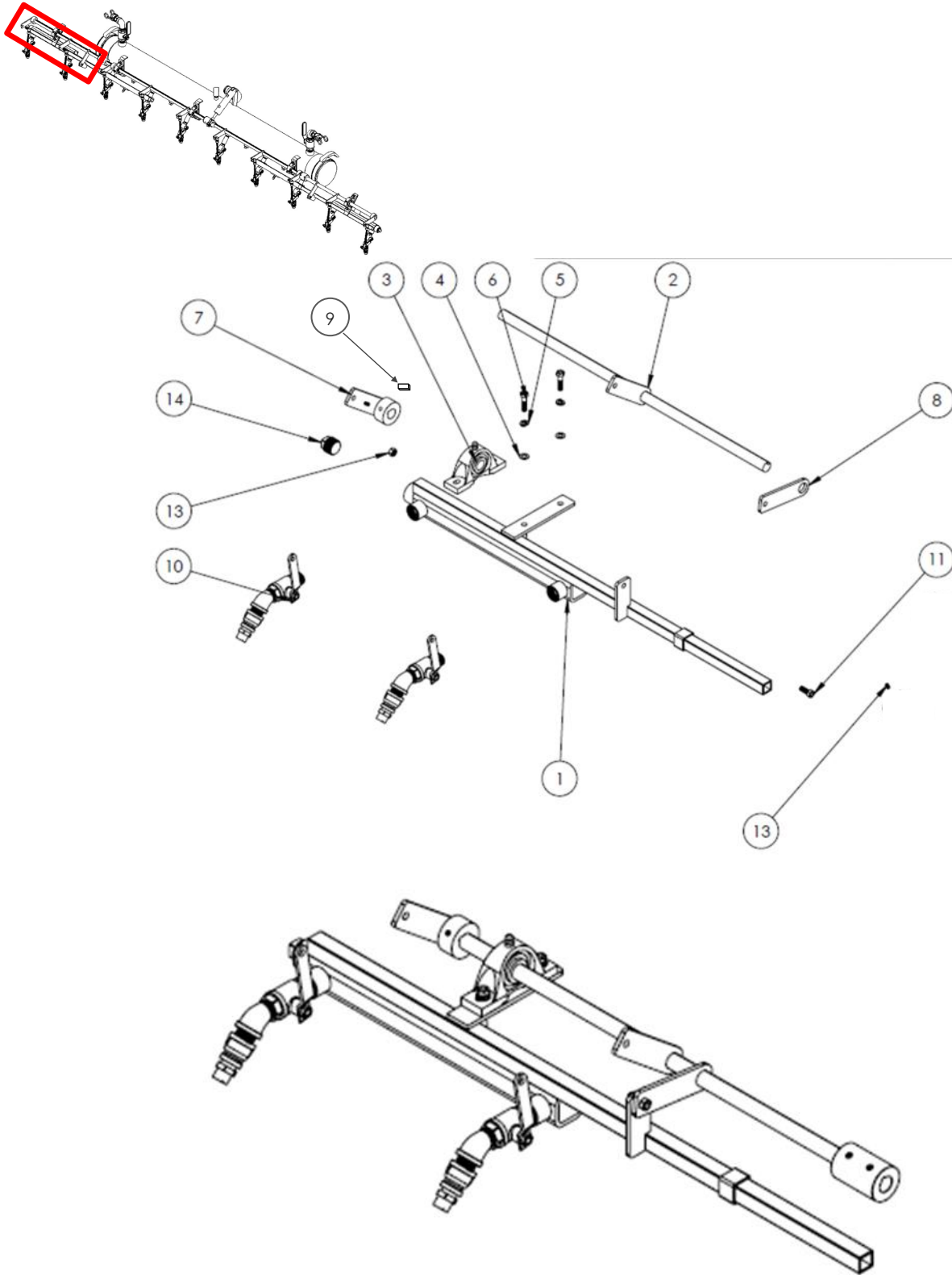


Figure 6-11 Standard Spray Bar Extension, Left

# Parts Manual PavementSaver II

## Standard Spray Bar Extension, Left

Table 6-11. Standard Spray Bar Extension, Left

Figure & Item No.	Part No.	Description	Quantity
6-11-1	110004583	Standard Extension Frame, Left	1
6-11-2	110004584	Standard Rod Extension, Left	1
6-11-3	110001364	Spray Bar Bearing	1
6-11-4	110003050	3/8" Flat Washer	2
6-11-5	110003109	3/8" Lock Washer	2
6-11-6	110003049	3/8" x 1-1/2" Hex Cap Screw	2
6-11-7	110004582	Outer Linkage Arm 1"	1
6-11-8	110001363	Linkage Arm	1
6-11-9	110004578	Spray Bar Key 1"	1
6-11-10		Extension Nozzle Assembly	2
6-11-11	110003245	3/8" x 1" Hex Cap Screw	1
6-11-12	110004171	Set Screw	1
6-11-13	110003241	3/8" Hex Nut	1
6-11-14	110000671	3/4" Square Plug	1

# Parts Manual PavementSaver II

## Spray Bar Extension, Right

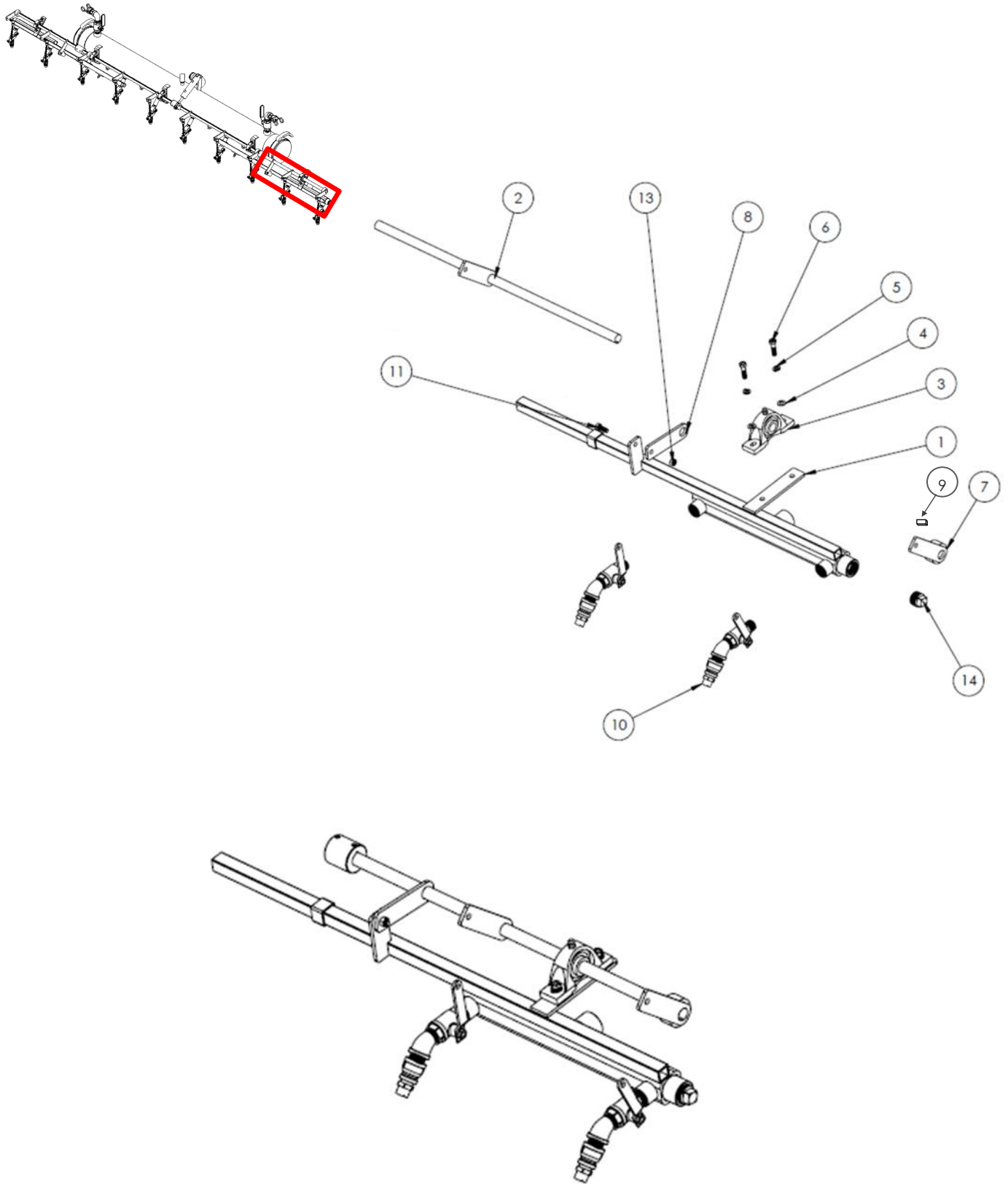


Figure 6-12 Spray Bar Extension, Right



### Spray Bar Extension, Right

Table 6-12. Spray Bar Extension, Right

Figure & Item No.	Part No.	Description	Quantity
6-12-1	110004587	Standard Extension Frame, Right	1
6-12-2	110004588	Standard Rod Extension, Right	1
6-12-3	110001364	Spray Bar Bearing	1
6-12-4	110003050	3/8" Flat Washer	2
6-12-5	110003109	3/8" Lock Washer	2
6-12-6	110003049	3/8" x 1-1/2" Hex Cap Screw	2
6-12-7	110004582	Outer Linkage Arm 1"	1
6-12-8	110001363	Linkage Arm	1
6-12-9	110004578	Spray Bar Key 1"	1
6-12-10		Extension Nozzle Assembly	2
6-12-11	110003245	3/8" x 1" Hex Cap Screw	1
6-12-12	110004171	Set Screw	1
6-12-13	110003241	3/8" Hex Nut	1
6-12-14	110000671	3/4" Square Plug	1

## Extension Nozzle Assembly

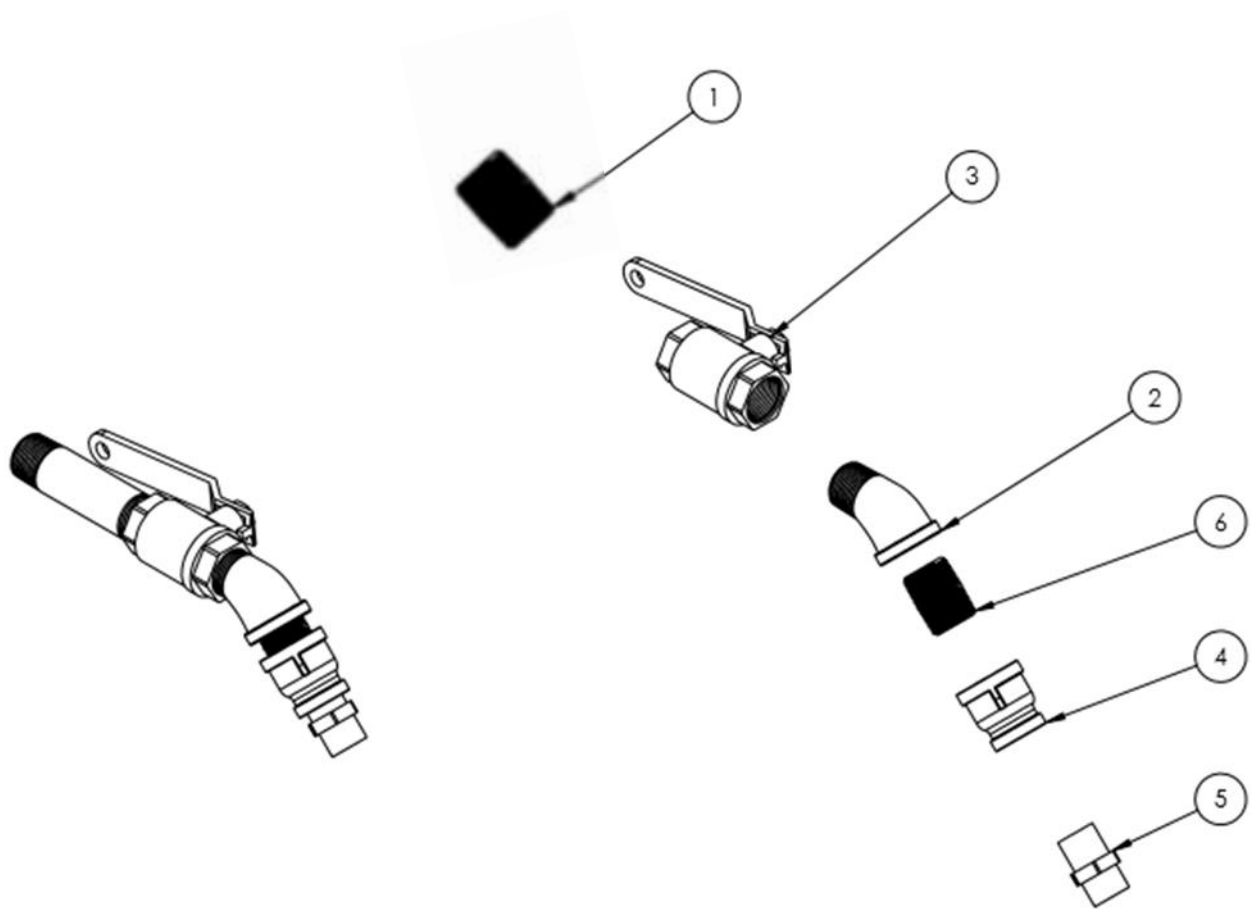
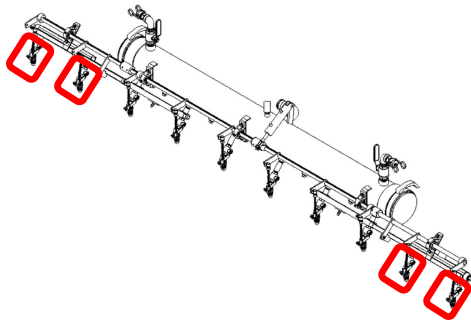


Figure 6-13. Nozzle Assembly

## Extension Nozzle Assembly

Table 6-13. Extension Nozzle Assembly

Figure & Item No.	Part No.	Description	Quantity
6-13-1	110000162	3/4" x Close Nipple	1
6-13-2	110002417	3/4" Street 45 Elbow	1
6-13-3	110000878	3/4" Ball Valve	1
6-13-4	110002421	3/4" to 1/2" Reducer	1
	110001047	* Spray Tip, 80/70– Standard	
<u>Options:</u>			
6-13-5	110001469	Spray Tip, 80/100	1
	110002639	Spray Tip, 80/150	
	110002640	Spray Tip, 80/200	
	110002978	Spray Tip, 80/50	
6-13-6	110000162	3/4" x Close Nipple	1

\* Spray Tips are Defined as Follows:

First digits are the spray angle / second digits are the flow rate

Example 80/70- 80 degree spray with a flow rate of 7.0 gallons/minute of water @ 40psi

## End Caps

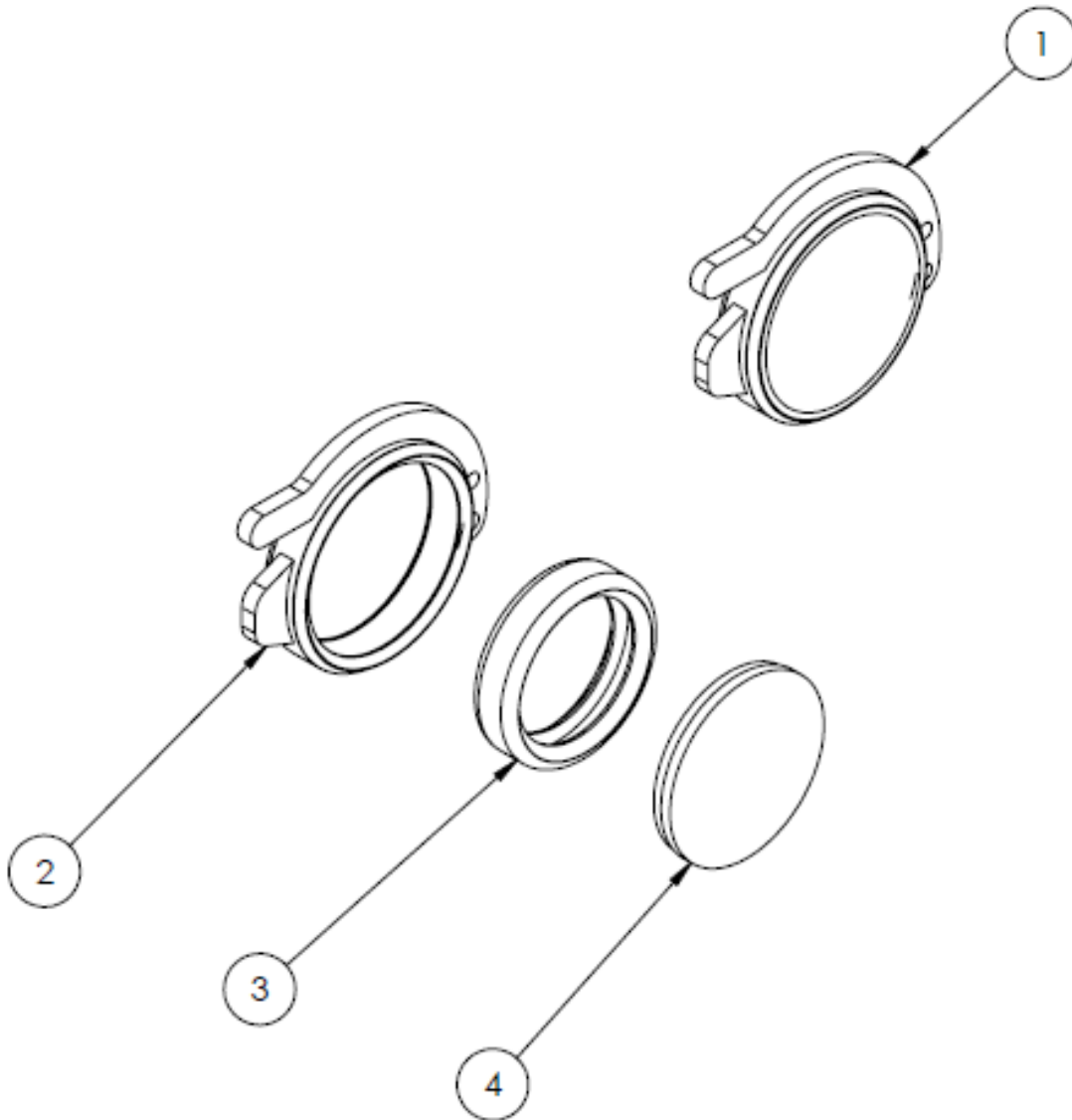
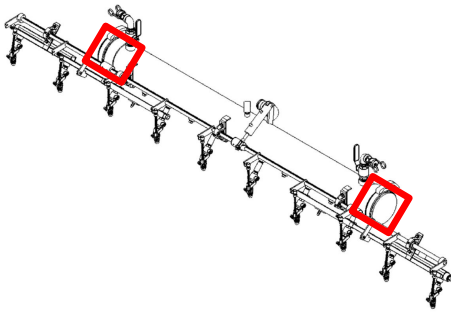


Figure 6-14. End Caps

**End Caps**

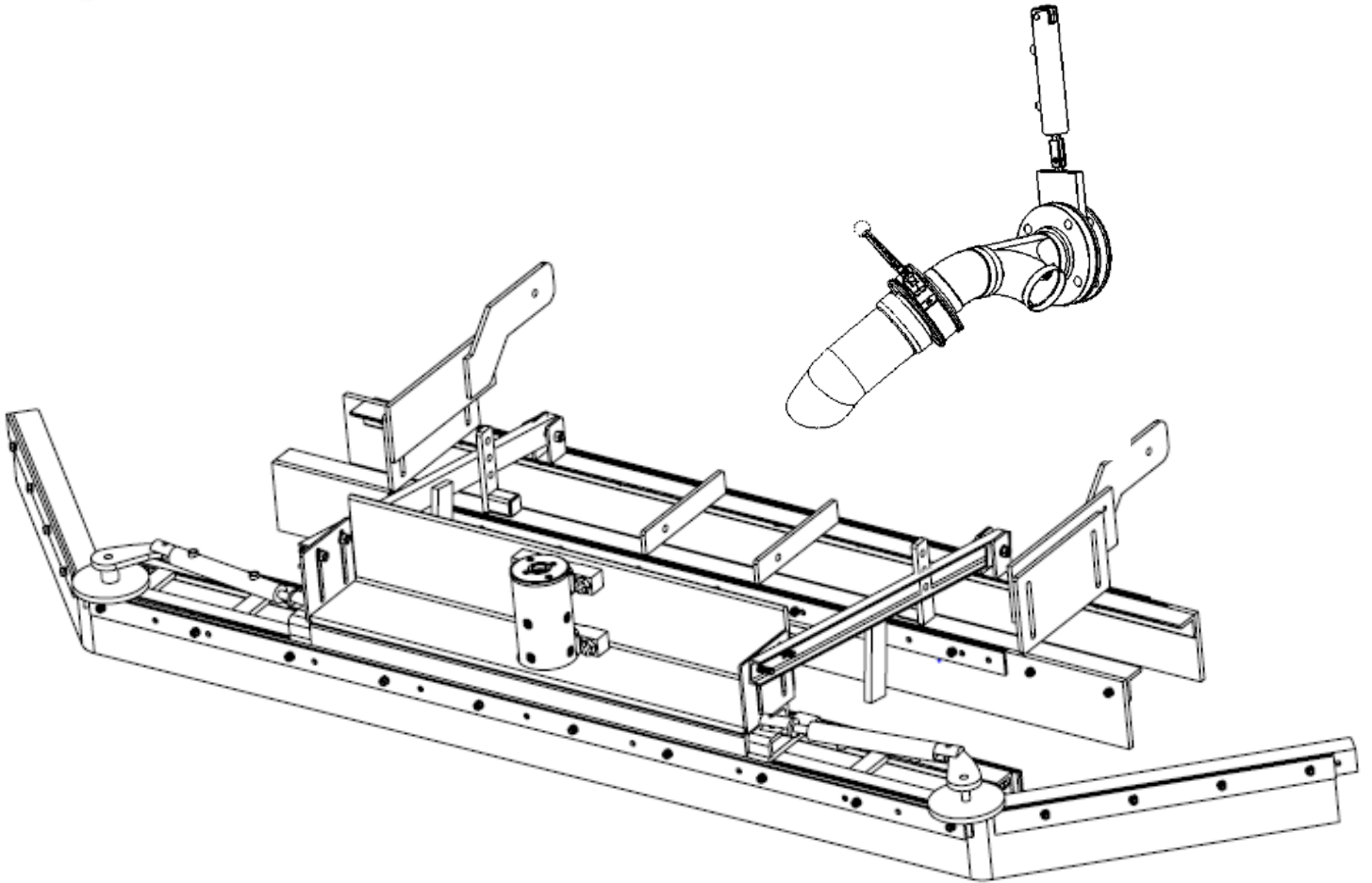
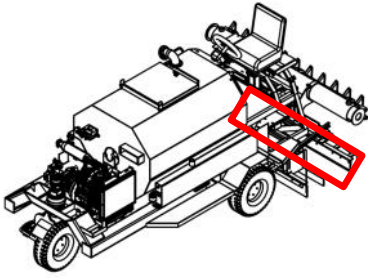
Table 6-14. End Caps

<b>Figure &amp; Item No.</b>	<b>Part No.</b>	<b>Description</b>	<b>Quantity</b>
6-14-1		8" Clamp Assembly	2
6-14-2	110001043	8" Clamp (w/gasket)	2
6-14-3	110001041	8" Gasket	2
6-14-4	110003913	End Cap	2

# Parts Manual PavementSaver II

*Page Left Intentionally Blank*

## Section 7 Squeegees



## Squeegee Exploded View

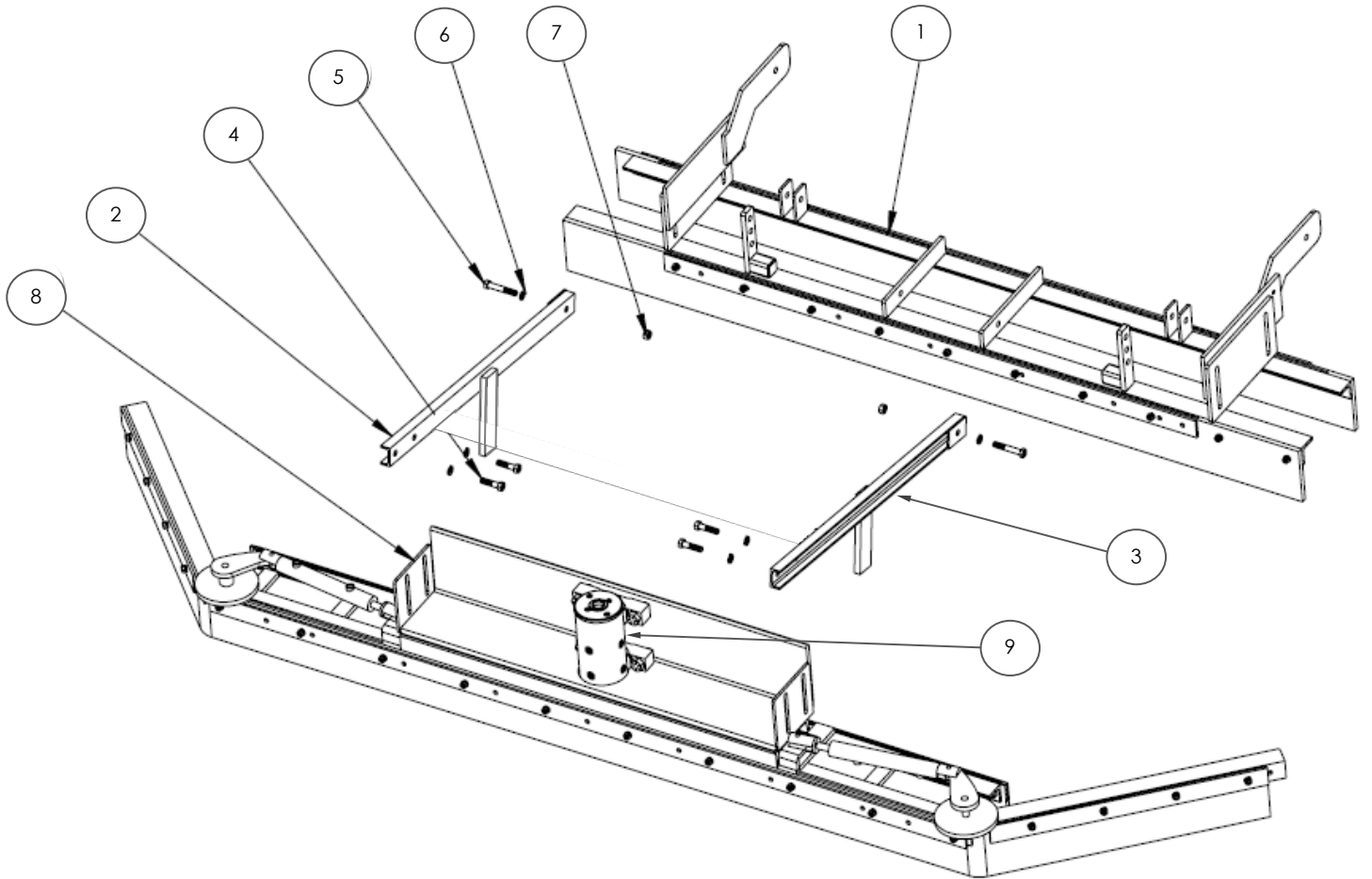
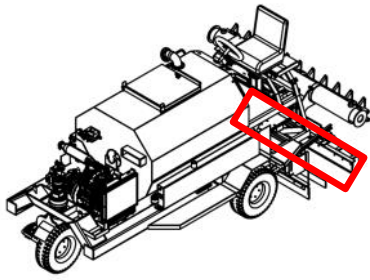


Figure 7-1. Squeegee Exploded View



# Parts Manual PavementSaver II

## Squeegee Exploded View

Table 7-1. Squeegee Exploded View

Figure & Item No.	Part No.	Description	Quantity
7-1-0	110004524	Spreader Box Assembly, Complete w/ Wings (Item 9 Not Included)	1
7-1-0	110004525	Spreader Box Assembly, Complete w/out Wings (Item 9 Not Included)	1
7-1-1	110004521	Squeegee Dragbox	1
7-1-2	110004522	Box Connector, Left	1
7-1-3	110004523	Box Connector, Right	1
7-1-4	110003105	1/2" x 2" Hex Cap Screw	4
7-1-5	110003106	1/2" x 3" Hex Cap Screw	2
7-1-6	110003107	1/2" Split Lock Washer	6
7-1-7	110003108	1/2" Hex Nut	2
7-1-8	110004516	Secondary Squeegee Assembly w/ Wings	1
7-1-9	110001366	Actuator	1

## Squeegee Dragbox

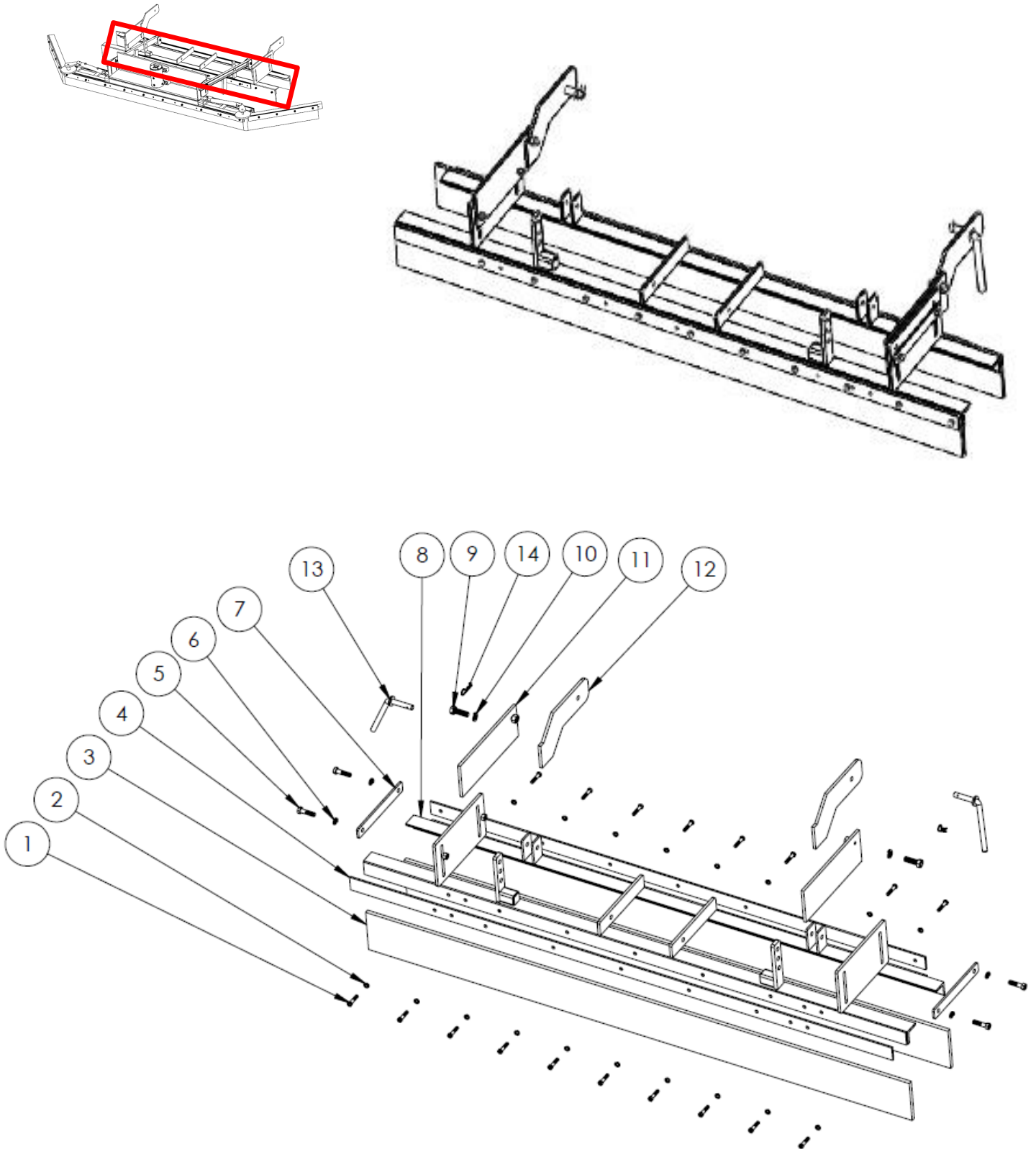


Figure 7-2. Squeegee Dragbox

# Parts Manual PavementSaver II

## Squeegee Dragbox

Table 7-2. Squeegee Dragbox

Figure & Item No.	Part No.	Description	Quantity
7-2-1	110003054	3/8-16 x 1-3/4" Hex Cap Screw	20
7-2-2	110003109	3/8" Split Lock Washer	20
7-2-3	110001054	Squeegee Rubber	2
7-2-4	11000xxxx	Squeegee Squeeze Plate	2
7-2-5	110003287	1/2-13 x 2" Hex Cap Screw	4
7-2-6	110003249	1/2" Split Lock Washer	4
7-2-7	110002803	Squeeze Plate	2
7-2-8	11000xxxx	Squeegee Dragbox	1
7-2-9	110003110	5/8-11 x 2" Hex Cap Screw	2
7-2-10	110003111	5/8" Split Lock Washer	2
7-2-11	11000xxxx	Consists of 110002615 & (2) 5/8-11 Hex Nuts	2
7-2-12	110002613	Attachment Bracket	2
7-2-13	110004281	Dragbox Pin	2
7-2-14	110004221	Hair Pin Cotter	2

## Attachment Frame

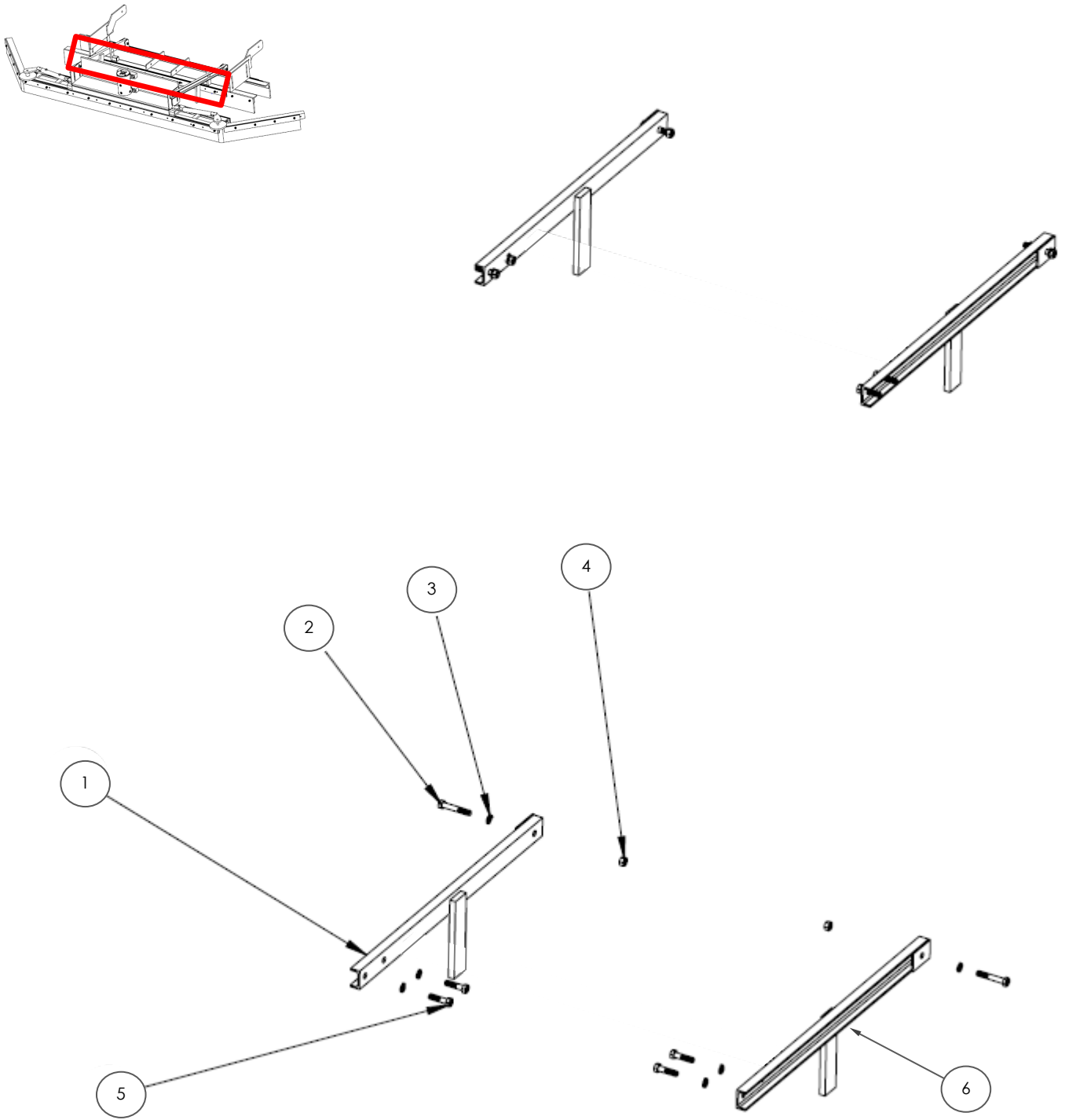


Figure 7-3. Attachment Frame

## Attachment Frame

Table 7-3. Attachment Frame

Figure & Item No.	Part No.	Description	Quantity
7-3-1	110004522	Box Connector, Left	1
7-3-2	110003401	1/2-13 x 3" Hex Cap Screw	2
7-3-3	110003249	1/2" Split Lock Washer	6
7-3-4	110003257	1/2"-13 Hex Nut	2
7-3-5	110003287	1/2-13 x 2" Hex Cap Screw	4
7-3-6	110004523	Box Connector, Right	1

## Secondary Squeegees

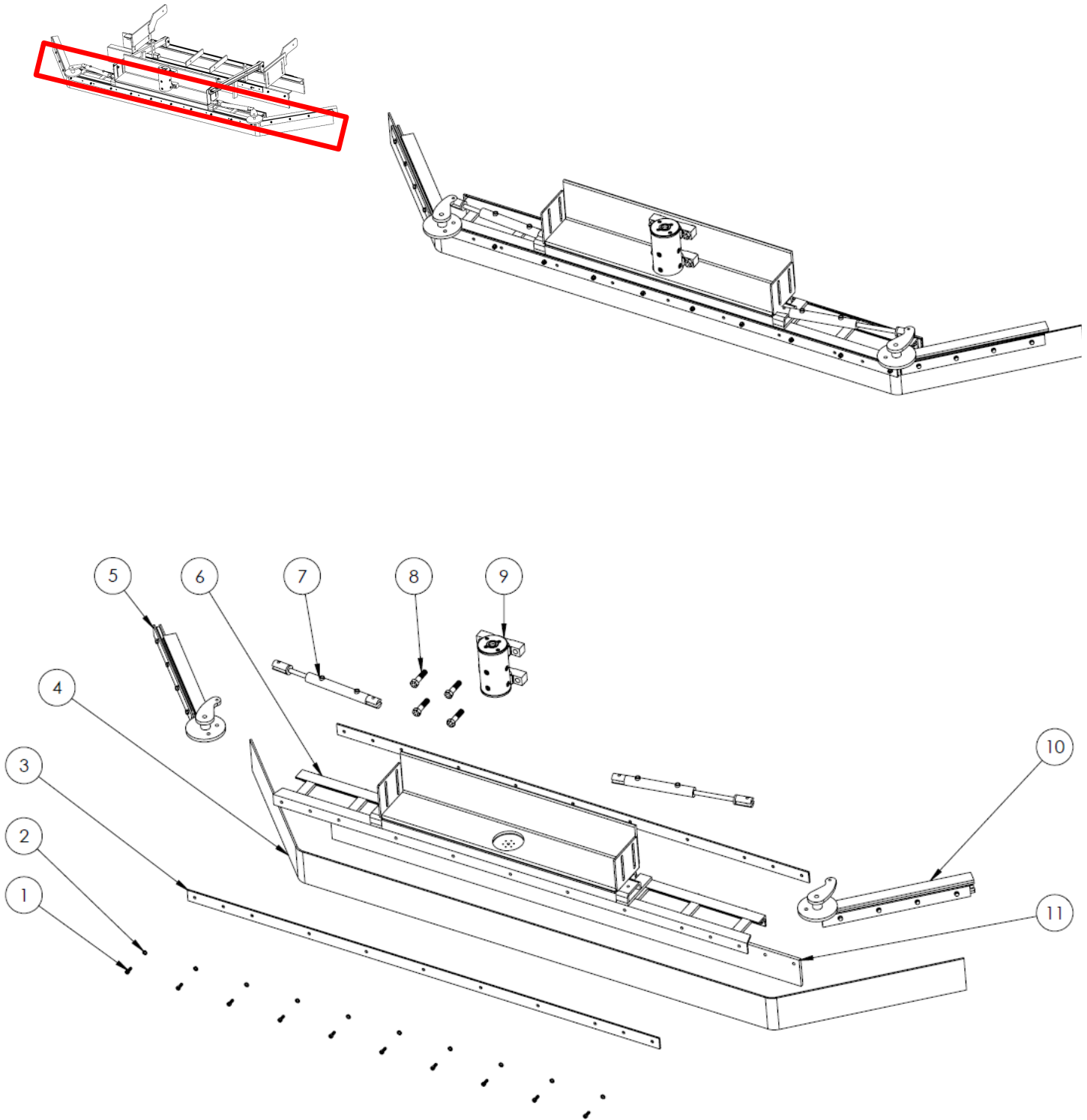


Figure 7-4. Secondary Squeegees

# Parts Manual PavementSaver II

## Secondary Squeegees

Table 7-4. Secondary Squeegees

Figure & Item No.	Part No.	Description	Quantity
7-4-0	110004516	Squeegee Assembly (Item 9 Not Included)	1
7-4-1	110003112	3/8-16 x 1" Hex Cap Screw	10
7-4-2	110003109	3/8" Split Lock Washer	10
7-4-3	11000xxxx	Front Squeeze Bracket	1
7-4-4	***	See Squeegee Rubber Options Below	
7-4-5	110001287	Squeegee Left Wing Assembly	1
7-4-6	11000xxxx	Secondary Squeegee Frame	1
7-4-7	110001367	Hydraulic Cylinder Right and Left	2
7-4-8	11000xxxx	3/4-10 x 3" Hex Cap Screw	4
7-4-9	110001366	Actuator	1
7-4-10	110001288	Squeegee Right Wing Assembly	1
7-4-11	110001054	Black Rubber Squeegee	1
	***	Squeegee Rubber Options	
	110001056	3/8" x 6" x 168" Red Rubber ", With Wings	1
	110001055	3/8" x 6" x 120" Red Rubber W/O Wings	1
	110004381	3/8" x 6" x 360" Red Rubber (Bulk)	1
	110004343	3/8" x 6" x 600" Black Rubber (Bulk)	1

## Squeegee Left Side Assembly

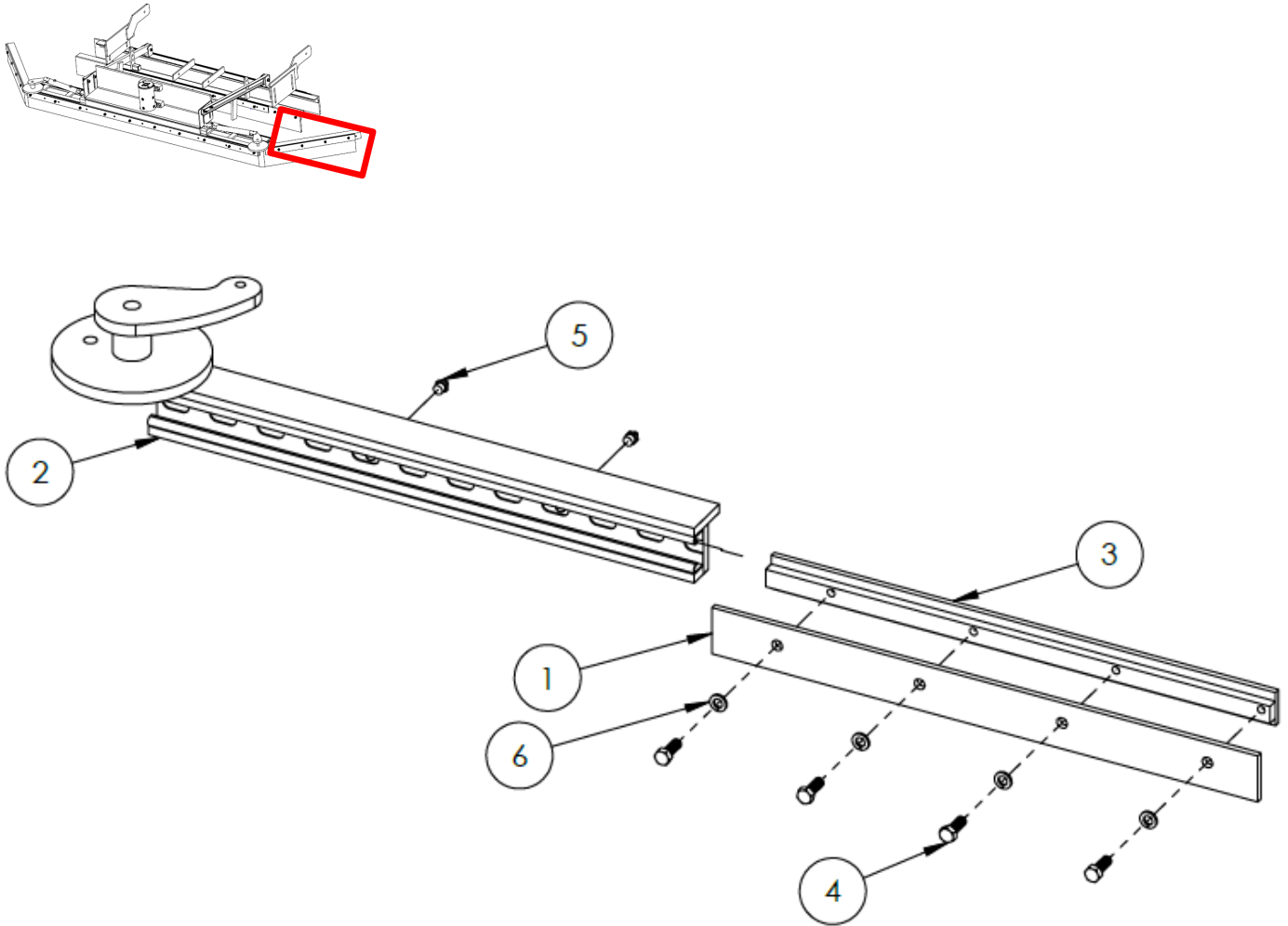


Figure 7-5. Squeegee Left Side Assembly



# Parts Manual PavementSaver II

## Squeegee Left Side Assembly

Table 7-5. Squeegee Right Side Assembly

Figure & Item No.	Part No.	Description	Quantity
7-5-0	110001288	Squeegee Wing Assembly Right Side	1
7-5-1	110001268	Squeegee Slider Front Bar Right Side	1
7-5-2	110001267	Squeegee Wing Front Bar Right Side	1
7-5-3	110001266	Squeegee Wing Slider, Right	1
7-5-4	110003069	3/8-16 x 1-1/4" Hex Cap Screw	4
7-5-5	110002977	1/8"-27 Straight Zerk Fitting	2
7-5-6	110003109	3/8" Split Lock Washer	4

## Squeegee Right Side Assembly

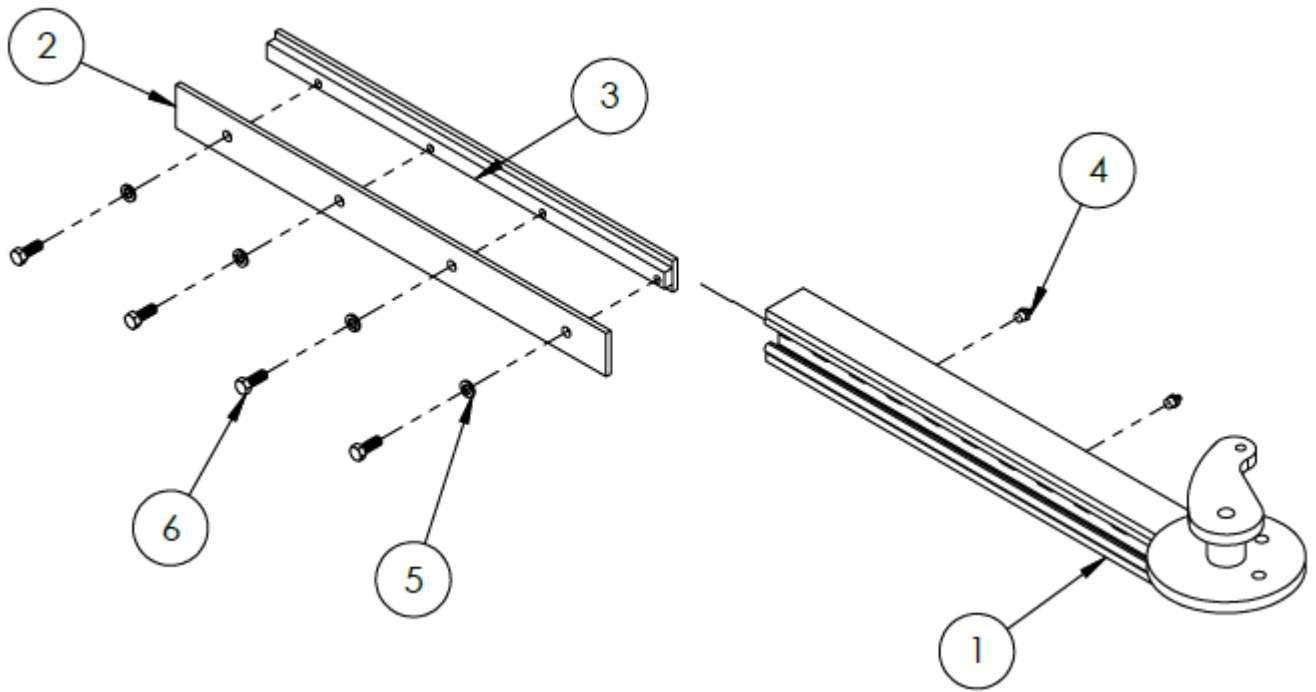
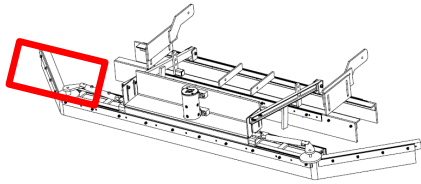


Figure 7-6. Squeegee Right Side Assembly

# Parts Manual PavementSaver II

## Squeegee Left Side Assembly

Table 7-6. Squeegee Right Side Assembly

Figure & Item No.	Part No.	Description	Quantity
7-6-0	110001287	Squeegee Wing Assembly Left Side	1
7-6-1	110001270	Squeegee Wing Left Side	1
7-6-2	110001271	Squeegee Wing Front Bar Left Side	1
7-6-3	110001269	Squeegee Wing Slider, Left	1
7-6-4	110002977	1/8"-27 Straight Zerk Fitting	2
7-6-5	110003109	3/8" Split Lock Washer	4
7-6-6	110003112	3/8-16 x 1" Hex Cap Screw	4

## Hydraulic Cylinder

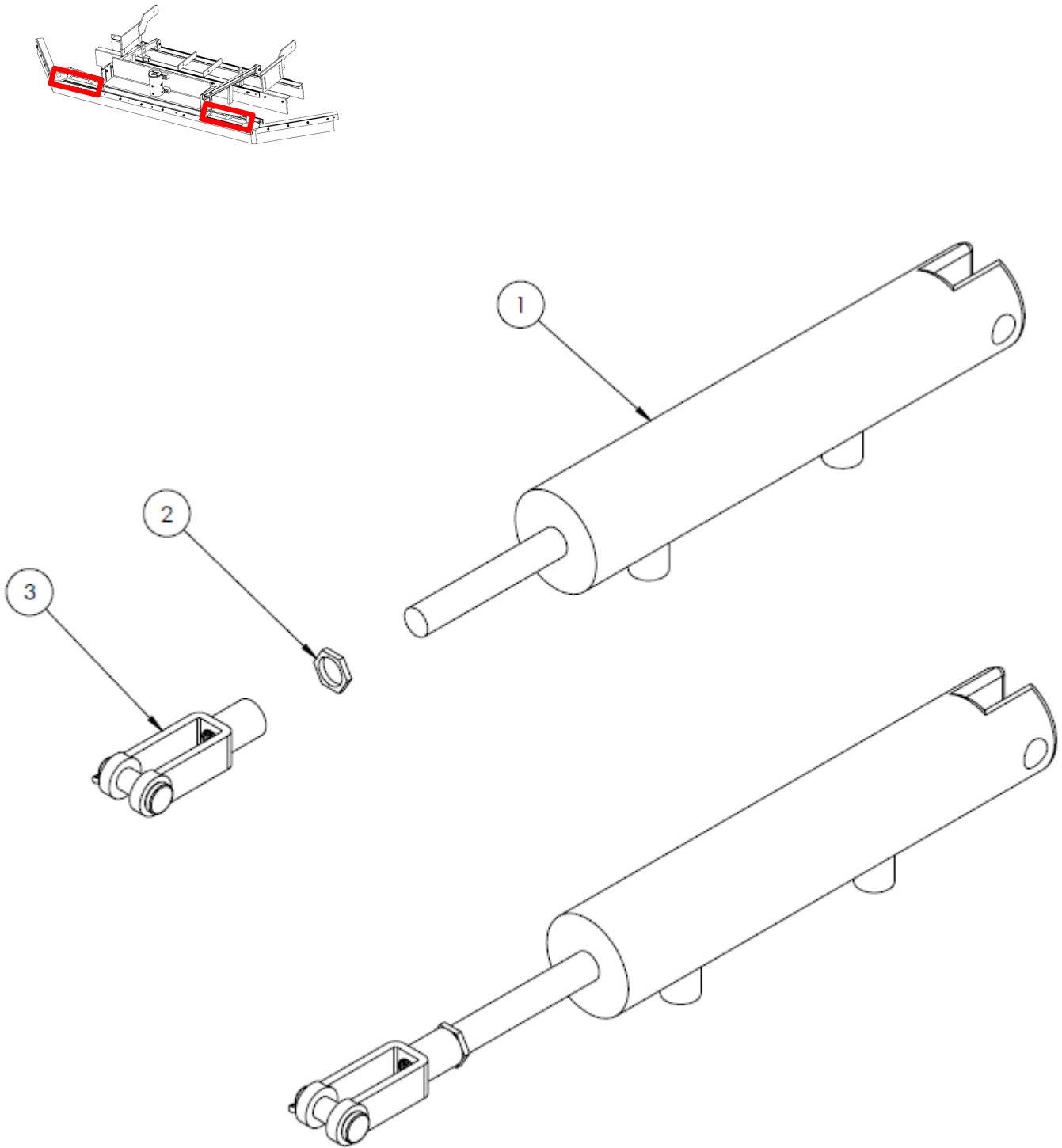


Figure 7-7. Hydraulic Cylinder  
100

**Hydraulic Cylinder**

Table 7-7. Hydraulic Cylinder

<b>Figure &amp; Item No.</b>	<b>Part No.</b>	<b>Description</b>	<b>Quantity</b>
7-7-1	110001367	Hydraulic Cylinder	2
7-7-3	11000xxxx	Lock Nut	2
7-7-2	110002176	Forged Clevis Rod End	2

## Secondary Squeegees

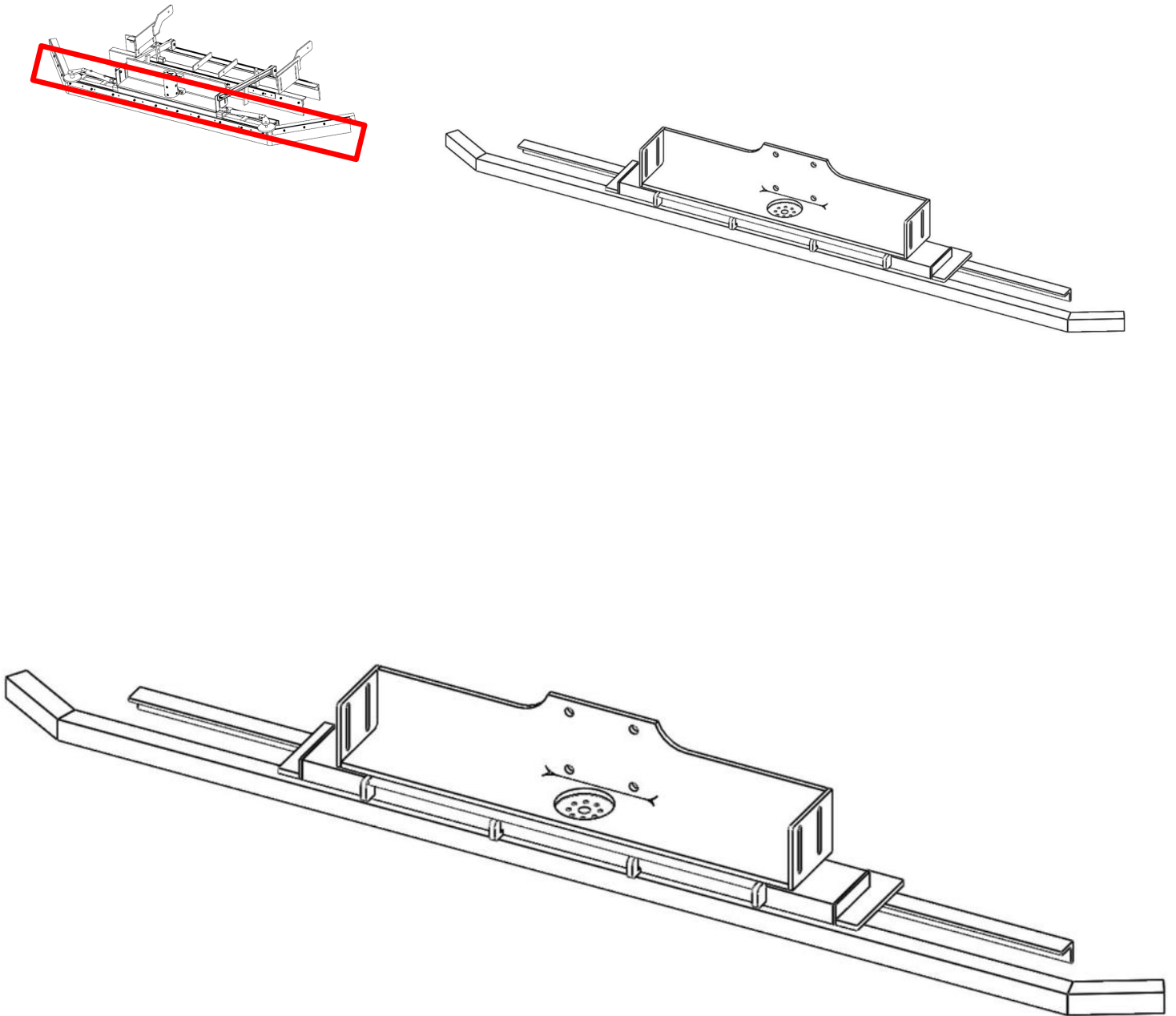


Figure 7-4. Secondary Squeegees

# Parts Manual PavementSaver II

## Secondary Squeegees

Table 7-4. Secondary Squeegees

Figure & Item No.	Part No.	Description	Quantity
7-8-0	110004306	Standard Squeegee Assembly (Item 9 not included)	1
7-8-1	110003112	3/8-16 x 1" Hex Cap Screw	10
7-8-2	110003109	3/8" Split Lock Washer	10
7-8-3	11000xxxx	Front Squeeze Bracket	1
7-8-4	110001283	Red Squeegee— 120", With out Wings	1
7-8-6	11000xxxx	Secondary Squeegee Frame	1
7-8-8	11000xxxx	3/4-10 x 3" Hex Cap Screw	4
7-8-9	110001366	Rotary Actuator	1
7-8-11	110001054	Black Rubber Squeegee	1

## Material Discharge

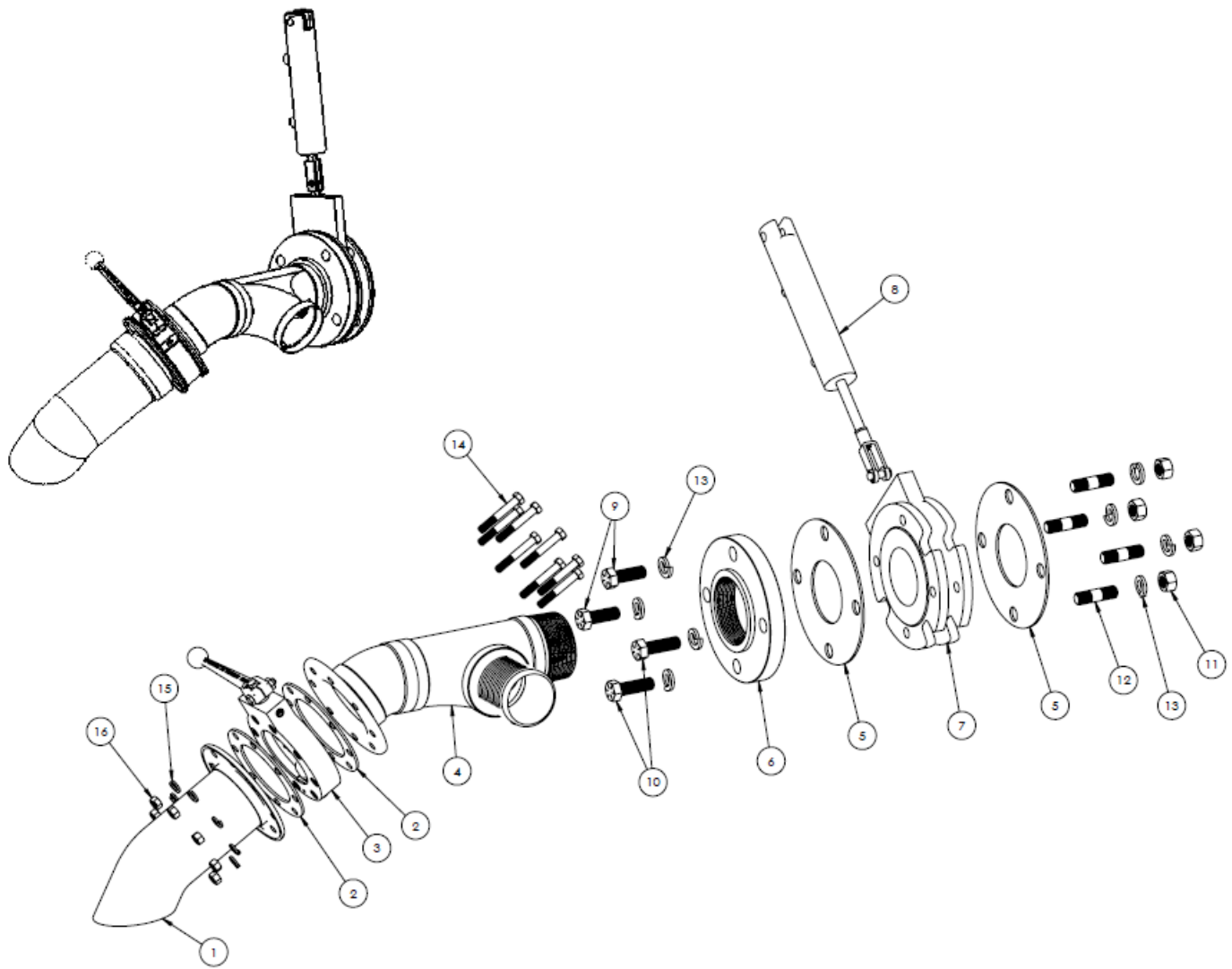
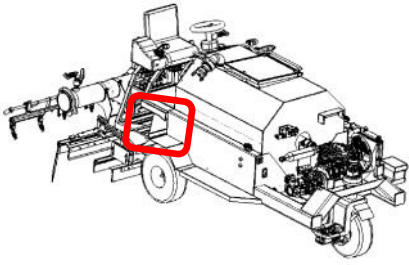


Figure 7-9 Material Discharge  
104



# Parts Manual PavementSaver II

## Material Discharge

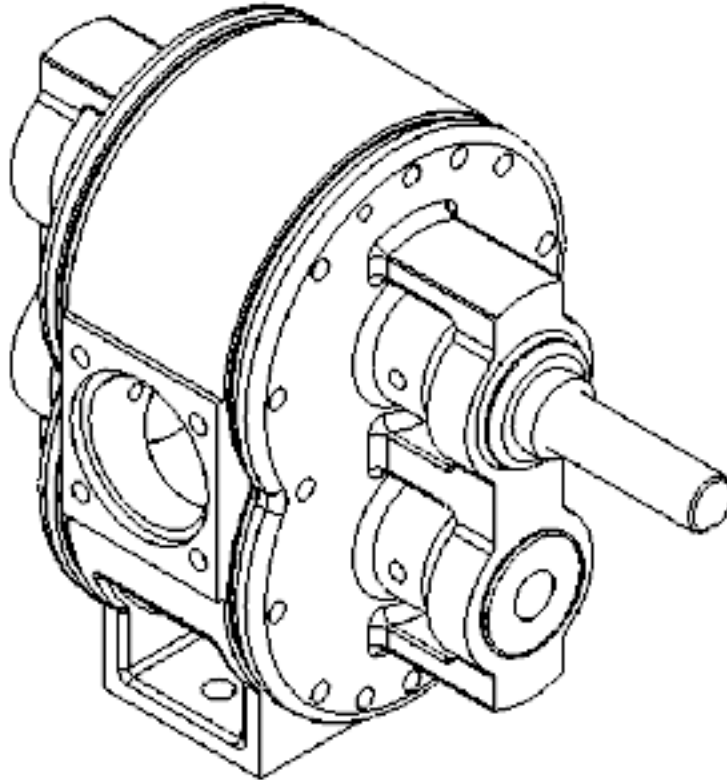
Table 7-8. Material Discharge

Figure & Item No.	Part No.	Description	Quantity
7-9-1	110002318	Material Discharge Elbow	1
7-9-2	110002159	3" Gasket	2
7-9-3	110002168	3" Wet/Dri Valve	1
7-9-4	110003994	Material Discharge Tee	1
7-9-5	110002401	Flange Gasket	2
7-9-6	110002400	Threaded Flange	1
7-9-7	110001876	Material Knife Valve 3"	1
7-9-8	110003051	Knife Valve Cylinder	1
7-9-9	110001852	Upper Hex Bolt, 5/8"-11 x 1-3/4"	2
7-9-10	110003304	Lower Hex Bolt, 5/8"-11 x 2"	2
7-9-11	110003434	Hex Nut, 5/8"-11	4
7-9-12	110004391	Threaded Stud, 5/8"-11 x 2-1/4"	4
7-9-13	110001851	Lock Washer, 5/8"	8
7-9-14	110003396	Hex Bolt, 3/8"-16 x 2-1/2"	8
7-9-15	110003241	Hex Nut, 3/8"-16	8
7-9-16	110004117	Lock Washer, 3/8"	8

# Parts Manual PavementSaver II

*Page Left Intentionally Blank*

## Section 8 RaynPump



## RaynPump

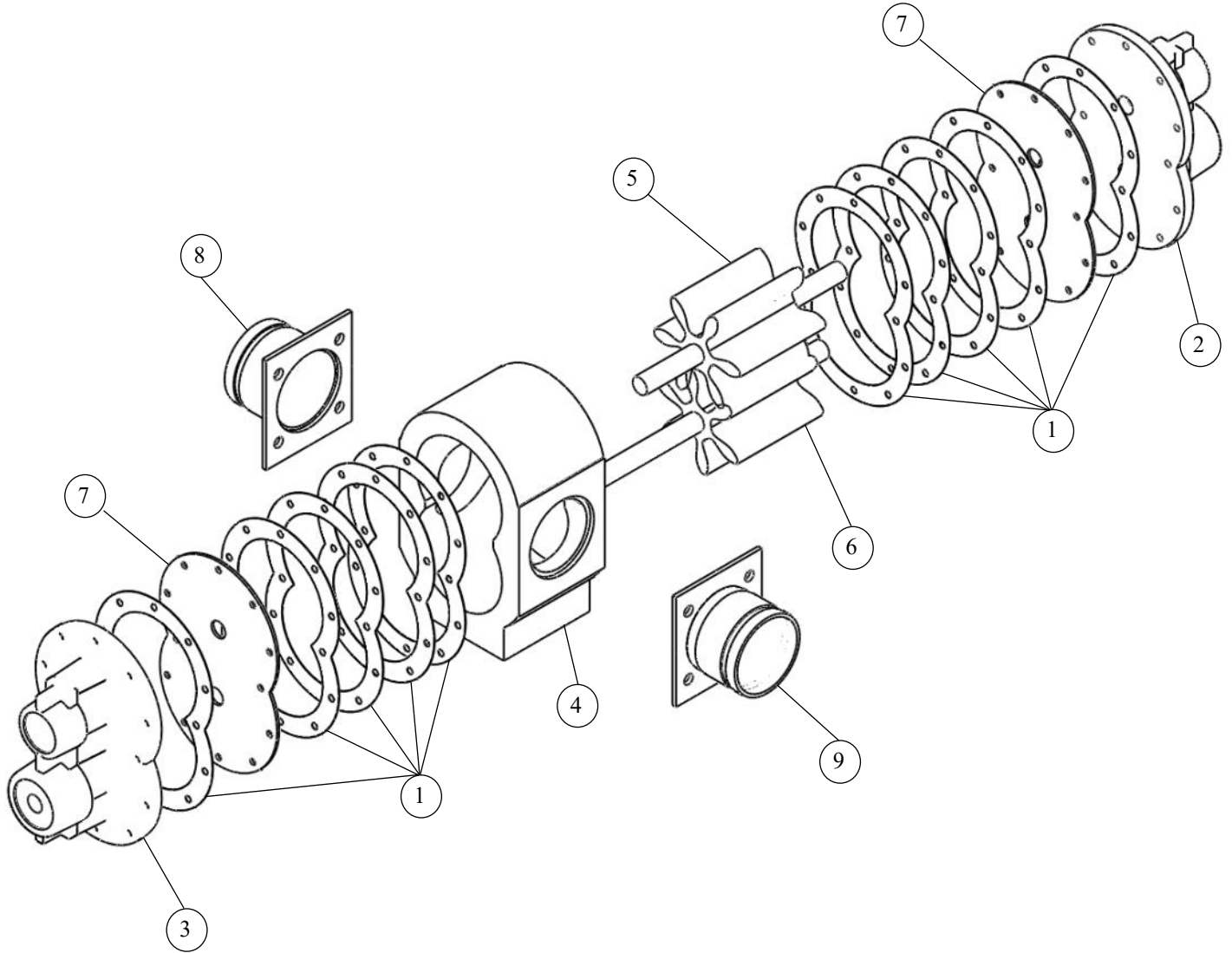


Figure 8-1. RaynPump

# Parts Manual PavementSaver II

Table 8-1. RaynPump

Figure & Item No.	Part No.	Description	Quantity
8-1-0	110001005	RaynPump 2", Top Drive	1
8-1-1	110001018	Gasket	10
8-1-2	110001281	Front End Plate	1
8-1-3	110001280	Rear End Plate	1
8-1-4	110002929	Case, Center	1
8-1-5	110001011	Idler Gear	1
8-1-6	110001012	Drive Gear	1
8-1-7	110001009	Wear Plate	2
8-1-8	110001020	Outlet Port Flange	1
8-1-9		Inlet Port Flange	1
8-1-10	110001010	Rebuild Kit	1
		Consists of Bearings, Pins, Seals & Caps	

## Grease Header

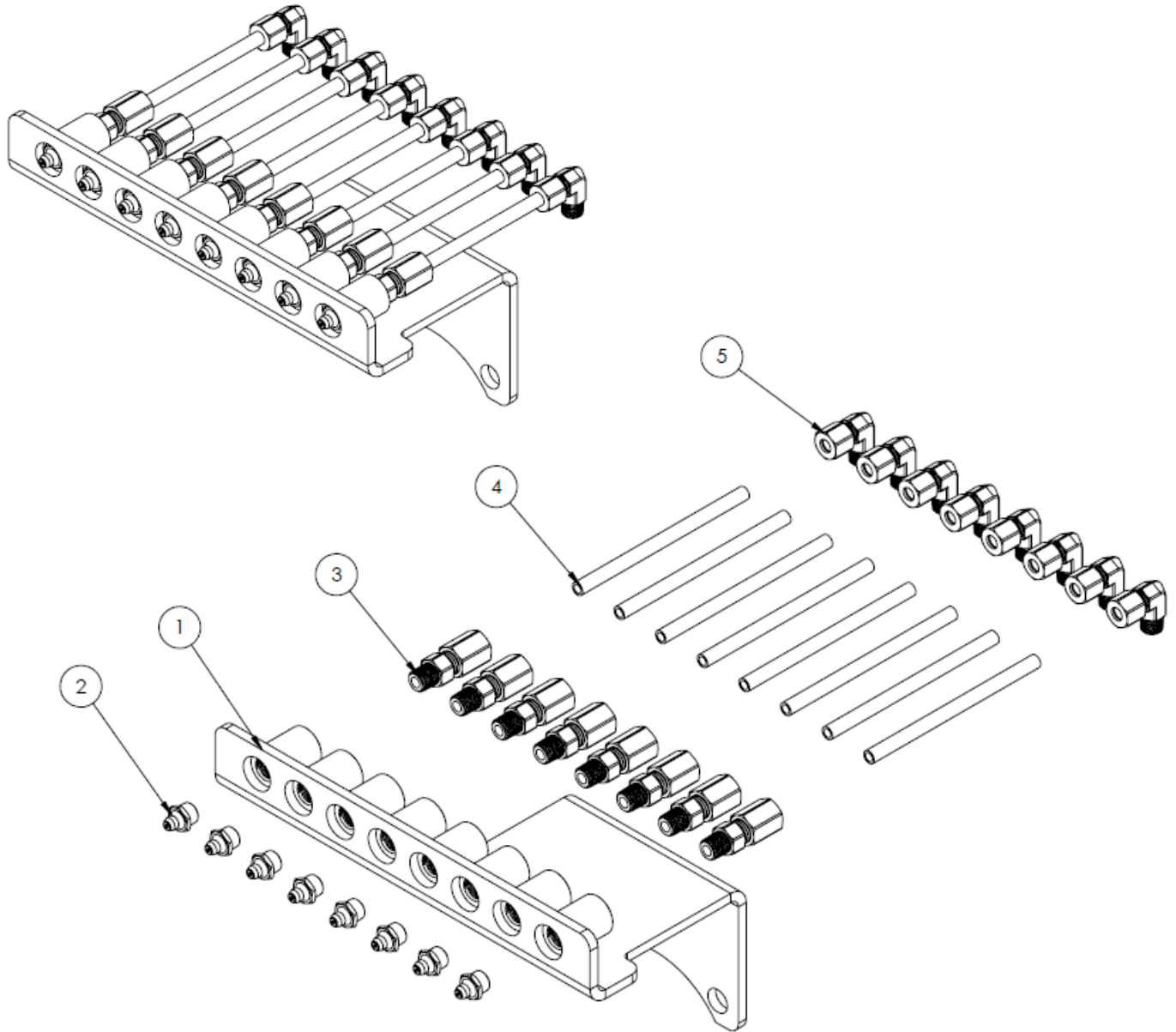


Figure 8-2. Grease Fittings

# Parts Manual PavementSaver II

Table 8-2. Grease Assembly

Figure & Item No.	Part No.	Description	Quantity
8-2-1	110002983	Grease Header	1
8-2-2	110002977	1/8" Zerk Fitting	8
8-2-3	110001908	Brass Fitting, Tubing to Pipe	8
8-2-4	110001786	1/4" Black Tubing	8
8-2-5	110001920	Brass Elbow, Tubing to Pipe	8

## Section 9 Cab and Console

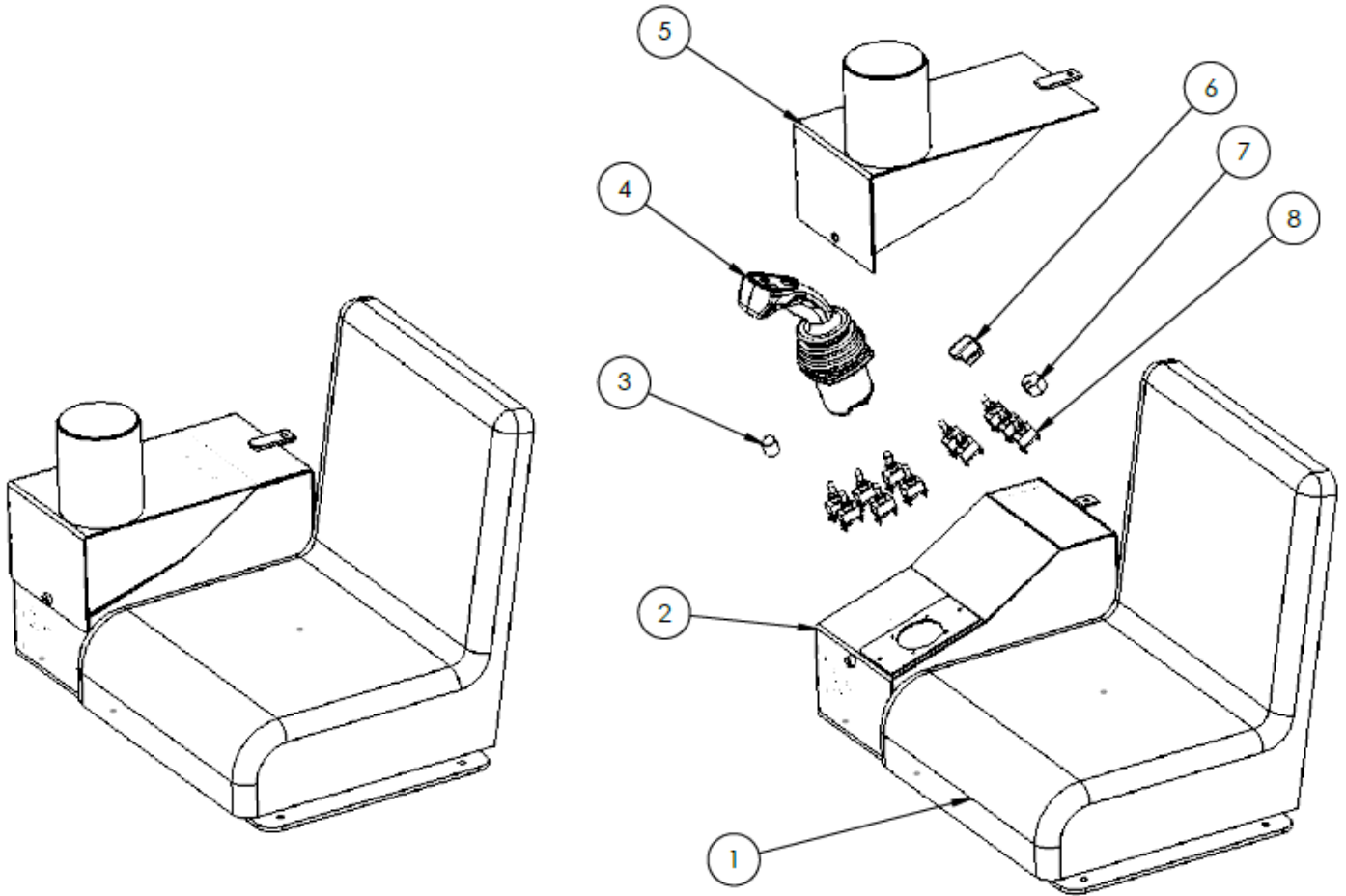
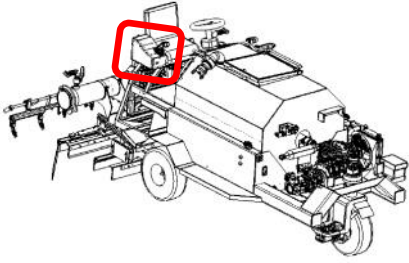


Figure 9-1. Seat and Joystick Box  
112



### Operator's Station

Table 9-1. Seat and Joystick Box

Figure & Item No.	Part No.	Description	Quantity
9-1-1	110002334	Seat	1
9-1-2		Joystick Box	1
9-1-3	110000317	Engine Start Button	1
9-1-4	110006220	Hydrostatic Joystick assembly	1
9-1-4a	110001249	Joystick Grip assy (top grey handle) 3378	1
9-1-4a	110003378	Optional Joystick Grip assy (rocker style)	1
9-1-4b	110007006	Joystick control base (inside box)	1
9-1-5	110000509	Joystick Box Cover	1
9-1-6	110000747	Brake Switch Cover	1
9-1-7	110003909	Speed Control Knob	1
9-1-8	Fig 9-2	Switches	—

## Section 9 Cab and Console

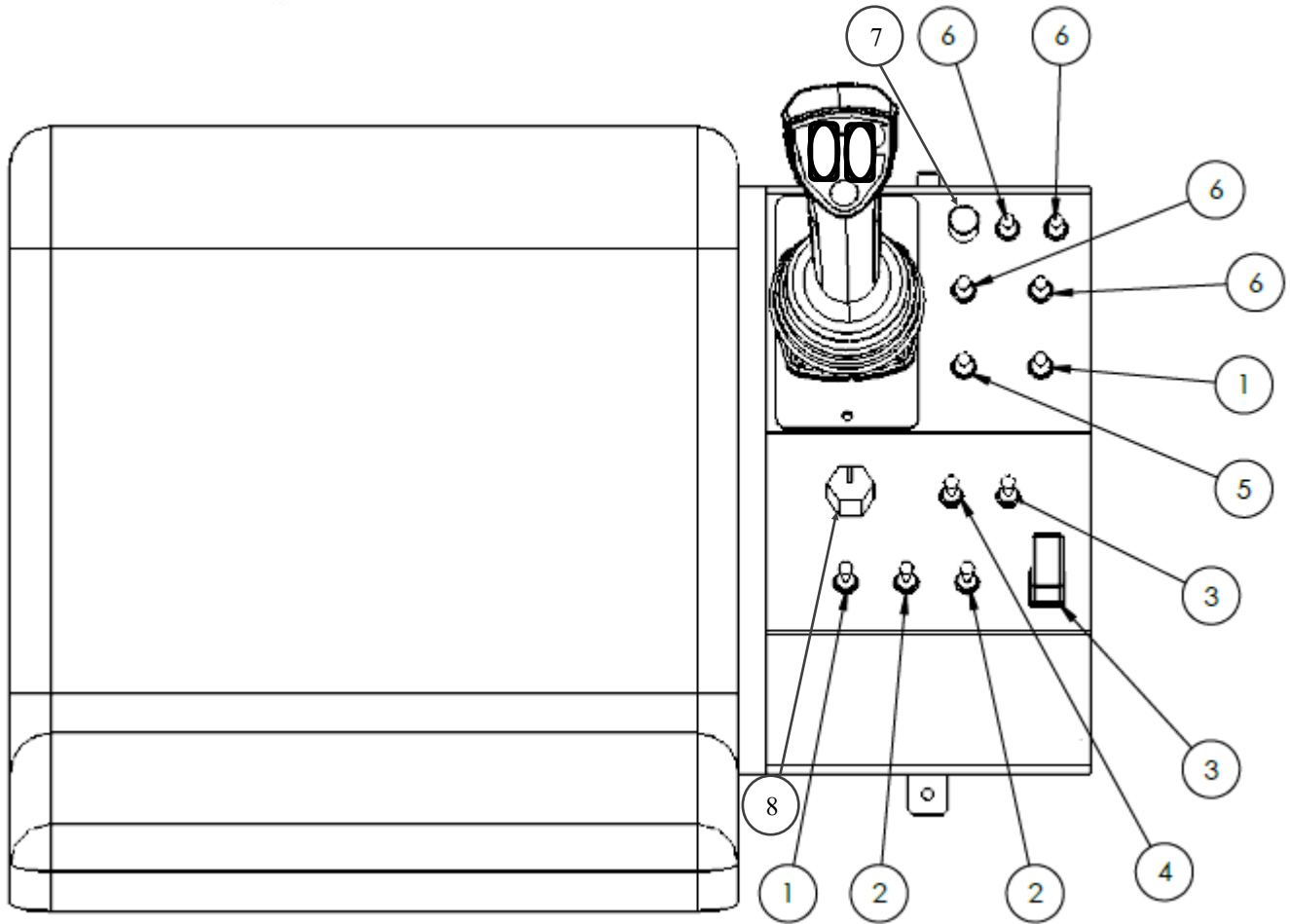
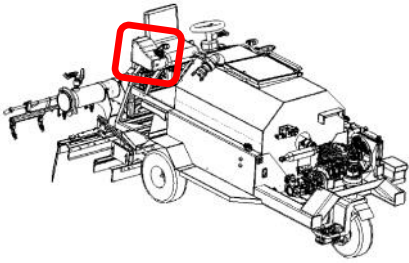


Figure 9-2. Joystick Box Switches

## Operator's Station

Table 9-2. Joystick Box Switches

Figure & Item No.	Part No.	Description	Quantity
9-2-1	110002132	Switch SPDT, On-Off-On	2
9-2-2	110002129	Switch SPDT, Momentary On, Off, Momentary Off	2
9-2-3	110002134	Switch SPDT, On-Off	2
9-2-4	110000004	Switch DPDT, 3-Position	1
9-2-5	110002130	Switch DPDT, On-Off-On	1
9-2-6	110000827	Switch SPST	4
9-2-7	110000317	Engine Start Switch	
9-2-8	110003909	Speed Control Knob	

## Section 9 Cab and Console

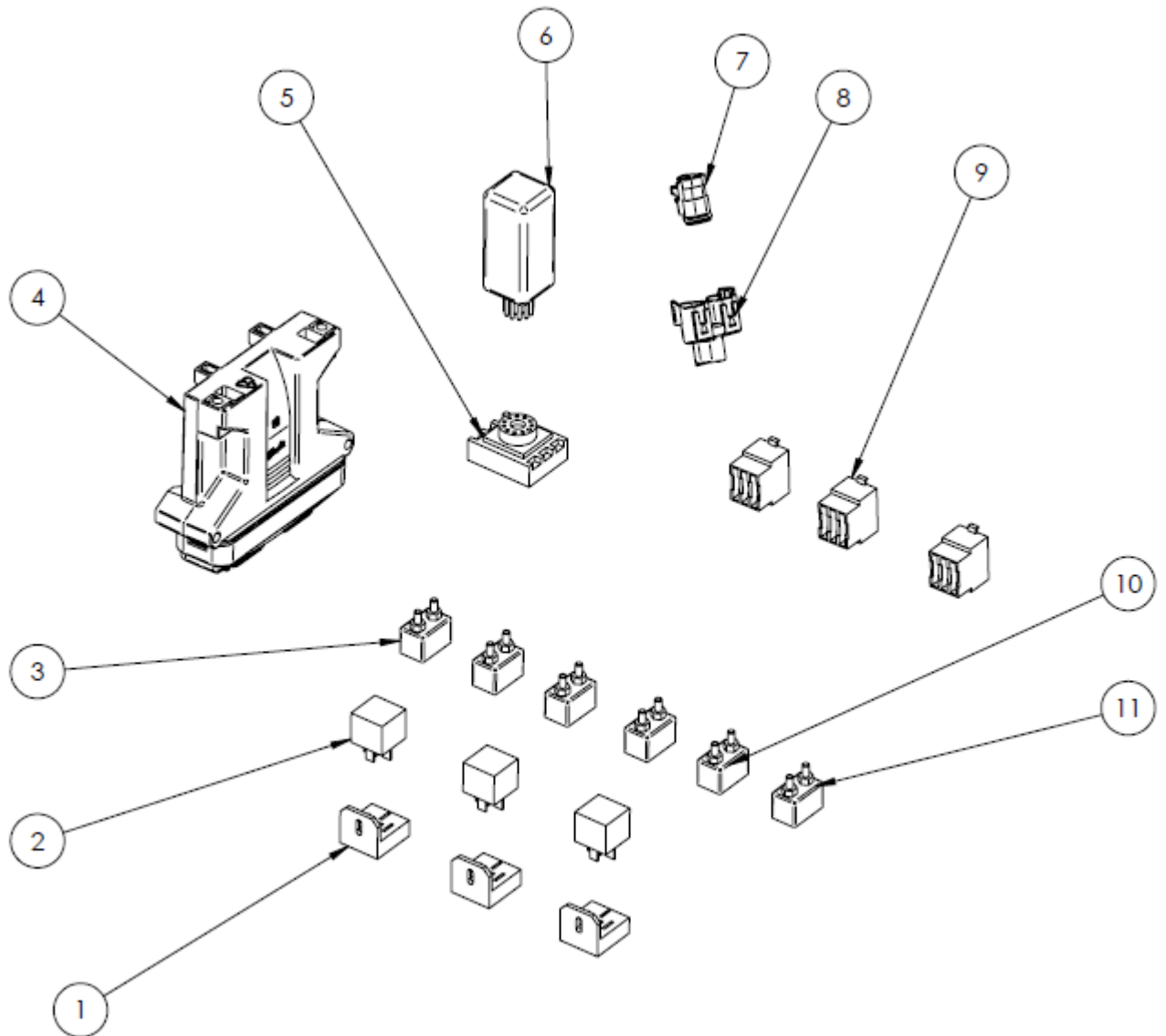
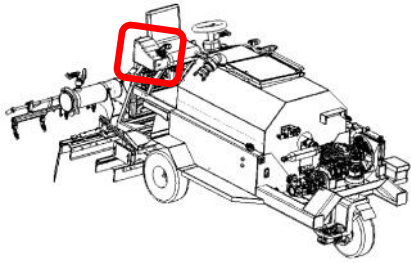


Figure 9-3. Joystick Box Internal Components

# Parts Manual PavementSaver II

## Cab and Console

Table 9-3. Joystick Box Internal Components

Figure & Item No.	Part No.	Description	Quantity
9-3-1	110002122	12V Relay Base with Bracket	3
9-3-2	110002143	12V Relay	3
9-3-3	110001021	20 Amp Circuit Breaker	4
9-3-4	110001484	MC24 Controller	1
9-3-5	110002315	Latching Relay Base	1
9-3-6	110002314	Latching Relay	1
9-3-7	110002091	Terminating Resistor	1
9-3-8	110002080	3-Way Connector	1
9-3-9	110000003	3 Position Terminal Strip	3
9-3-10	110001032	15 Amp Circuit Breaker	1
9-3-11	110001045	10 Amp Circuit Breaker	1

## Joystick

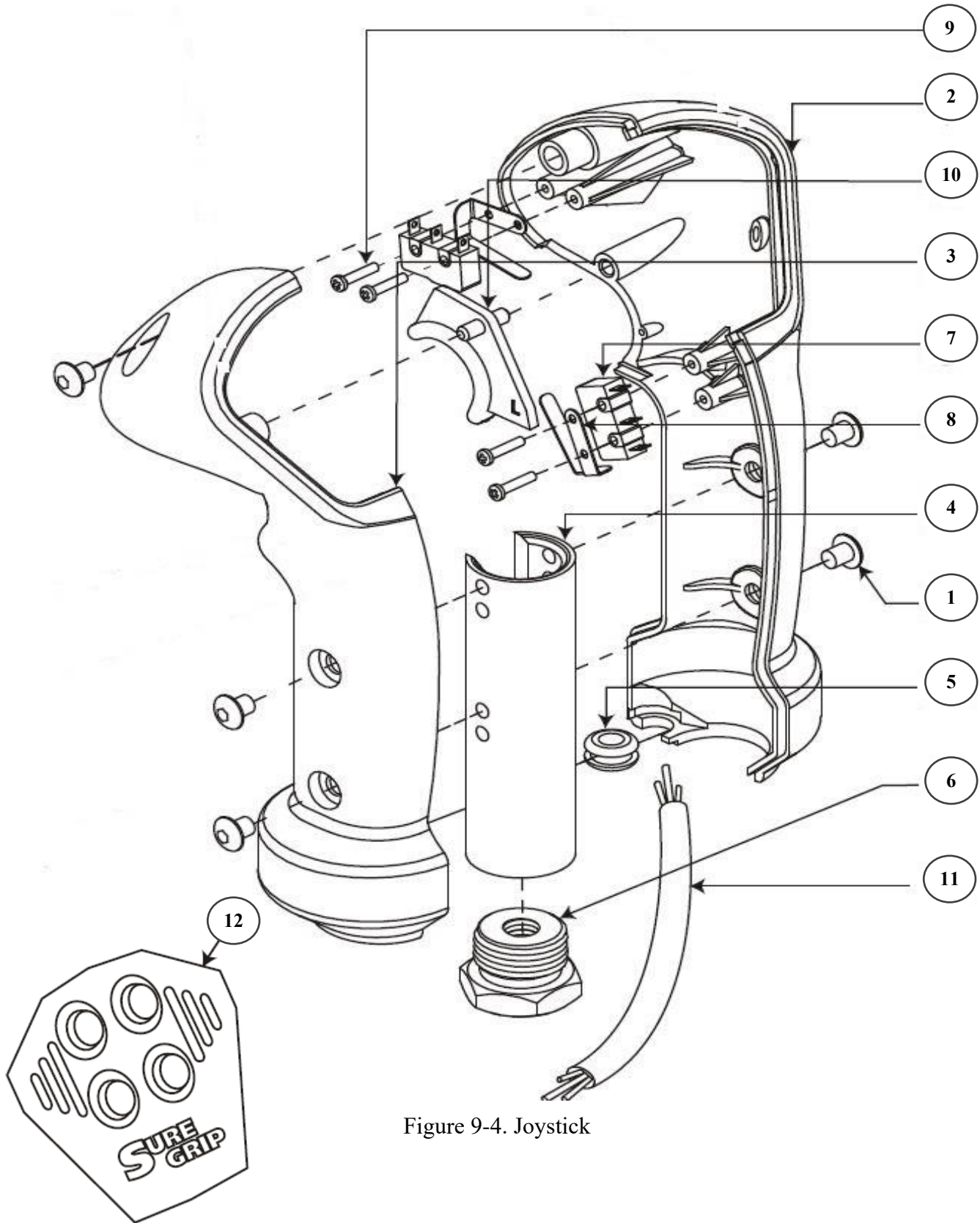


Figure 9-4. Joystick

# Parts Manual PavementSaver II

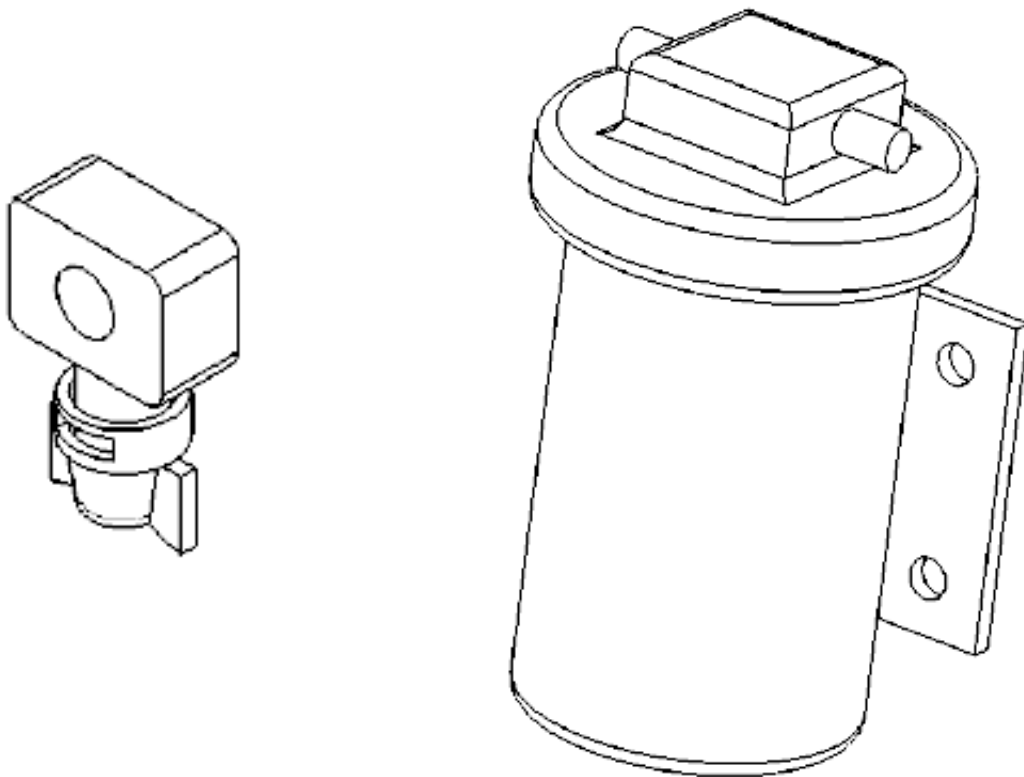
Table 9-4. Joystick

Figure & Item No.	Part No.	Description	Quantity
9-3-1		Side Screws	6
9-3-2		Handle Body, Right-Hand Side	1
9-3-3		Handle Body, Left-Hand Side	1
9-3-4		Mounting Pin	1
9-3-5		Grommet	1
9-3-6		Adaptor Bushing	1
9-3-7	110001253	Trigger Switch	2
9-3-8	110001252	Leaf Spring	2
9-3-9		Trigger Switch Mounting Screws	4
9-3-10	110005351	Trigger	1
9-3-11		Wire	1
9-3-12	110001250	Face Plate Overlay (only)	1
9-3-12	110001251	Faceplate w/ Switches (push button)	1
	110005350	Optional Rocker switch	2

*Page Left Intentionally Blank*



## Section 10 Water System



## Water Pump

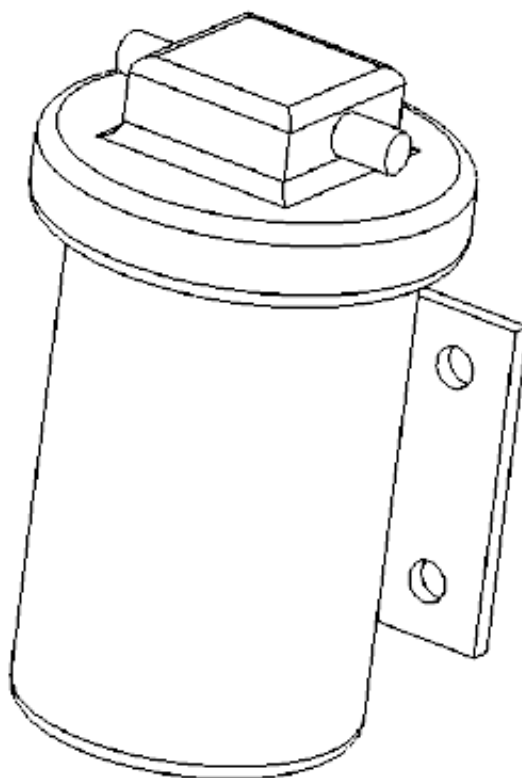


Figure 10-1

**Section 10  
Water System**

Table 10-1. Water Pump

<b>Figure &amp; Item No.</b>	<b>Part No.</b>	<b>Description</b>	<b>Quantity</b>
10-1-1	110001539	Sprinkler Water Pump	1

## Section 10 Water System

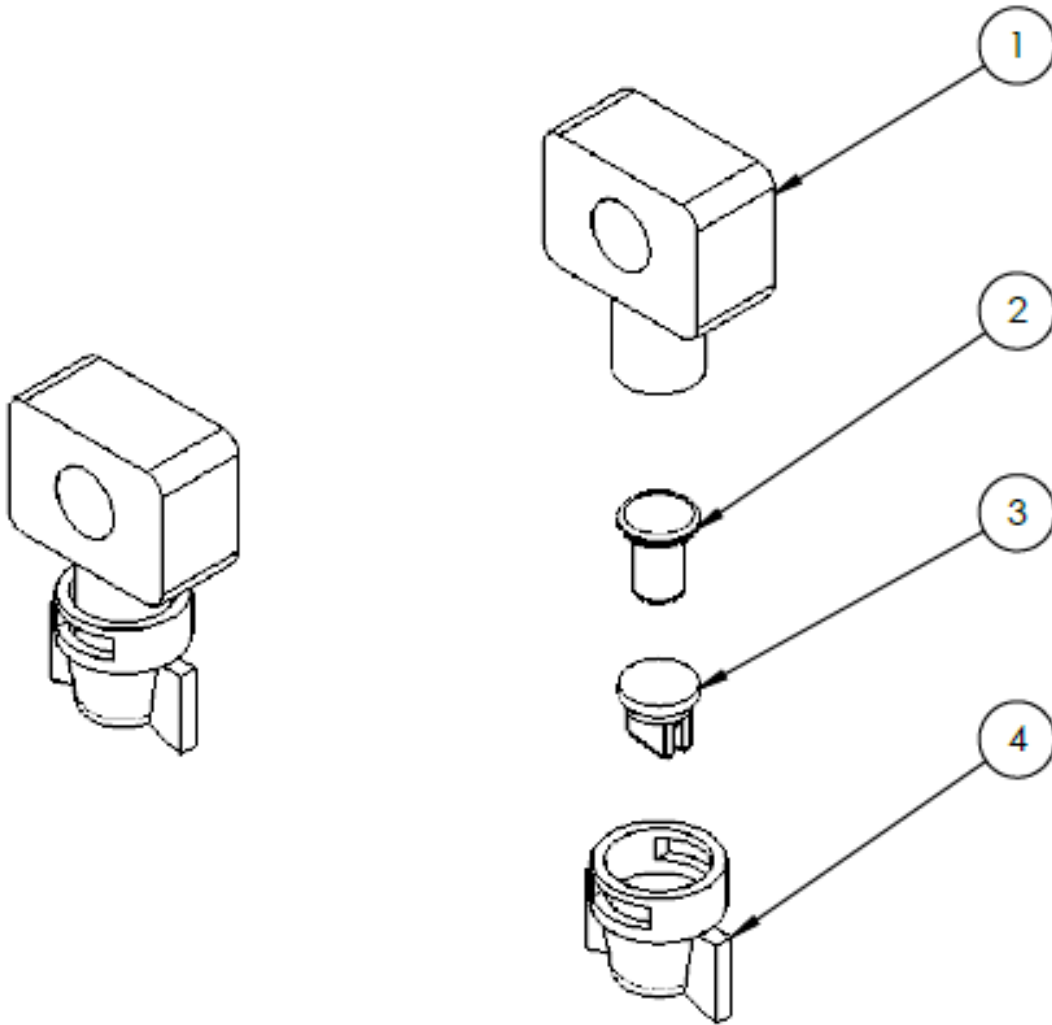


Figure 10-2 Water Nozzle

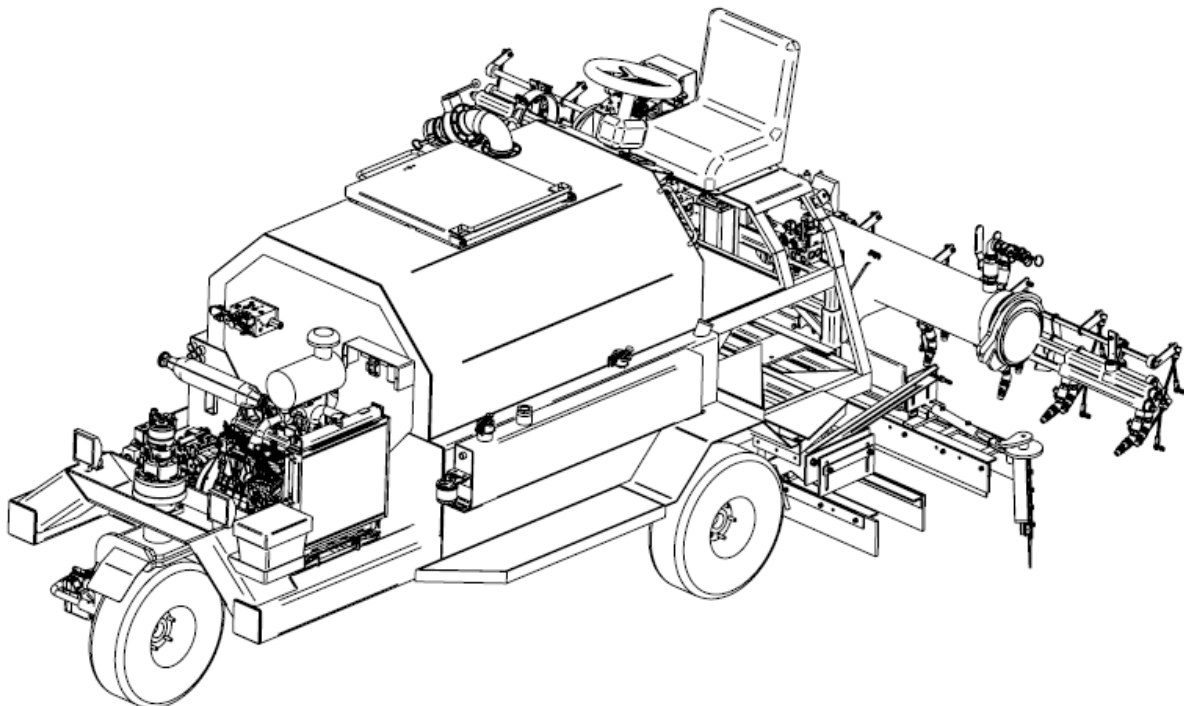
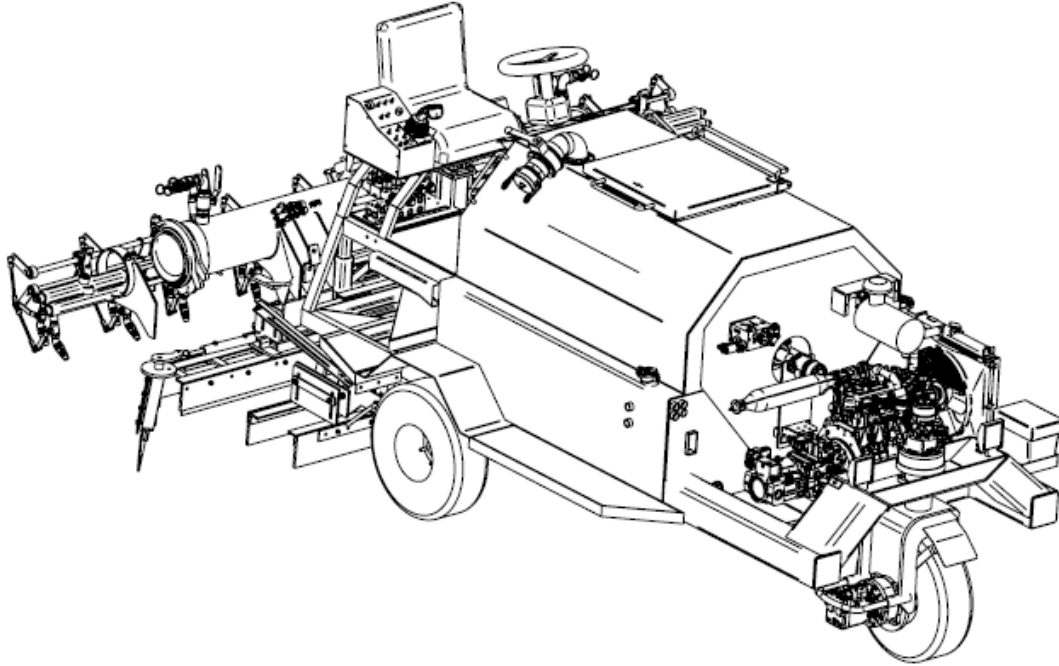
**Section 10  
Water System**

Table 10-2. Water Nozzle

<b>Figure &amp; Item No.</b>	<b>Part No.</b>	<b>Description</b>	<b>Quantity</b>
10-2-1	110002309	Nozzle Body	3
10-2-2	110002311	Filter, Check Valve	3
10-2-3	110002310	Spray Tip	3
10-2-4	110002308	Spray Cap	3

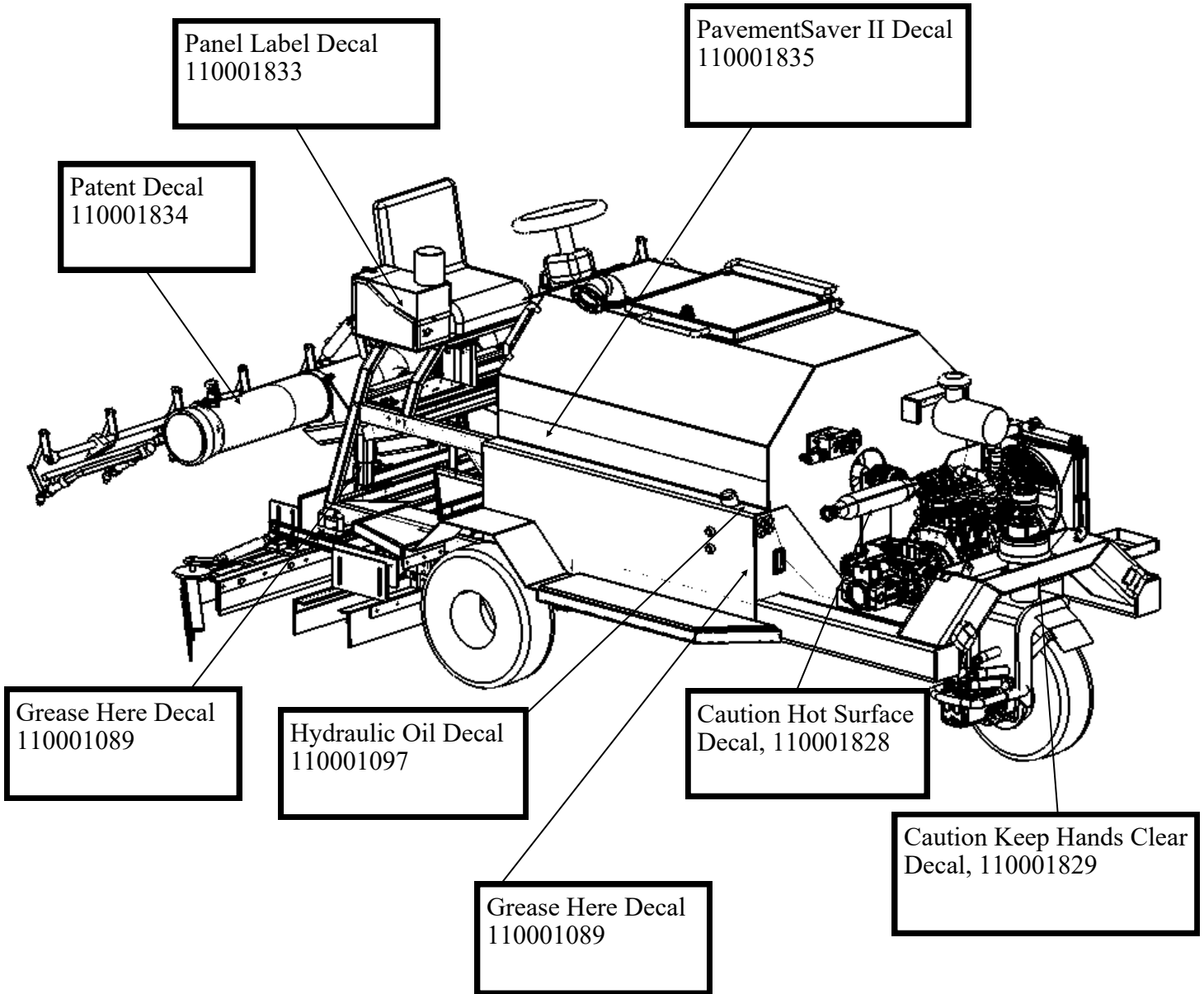
*Page Left Intentionally Blank*

## Section 11 Machine Decals



# Parts Manual PavementSaver II

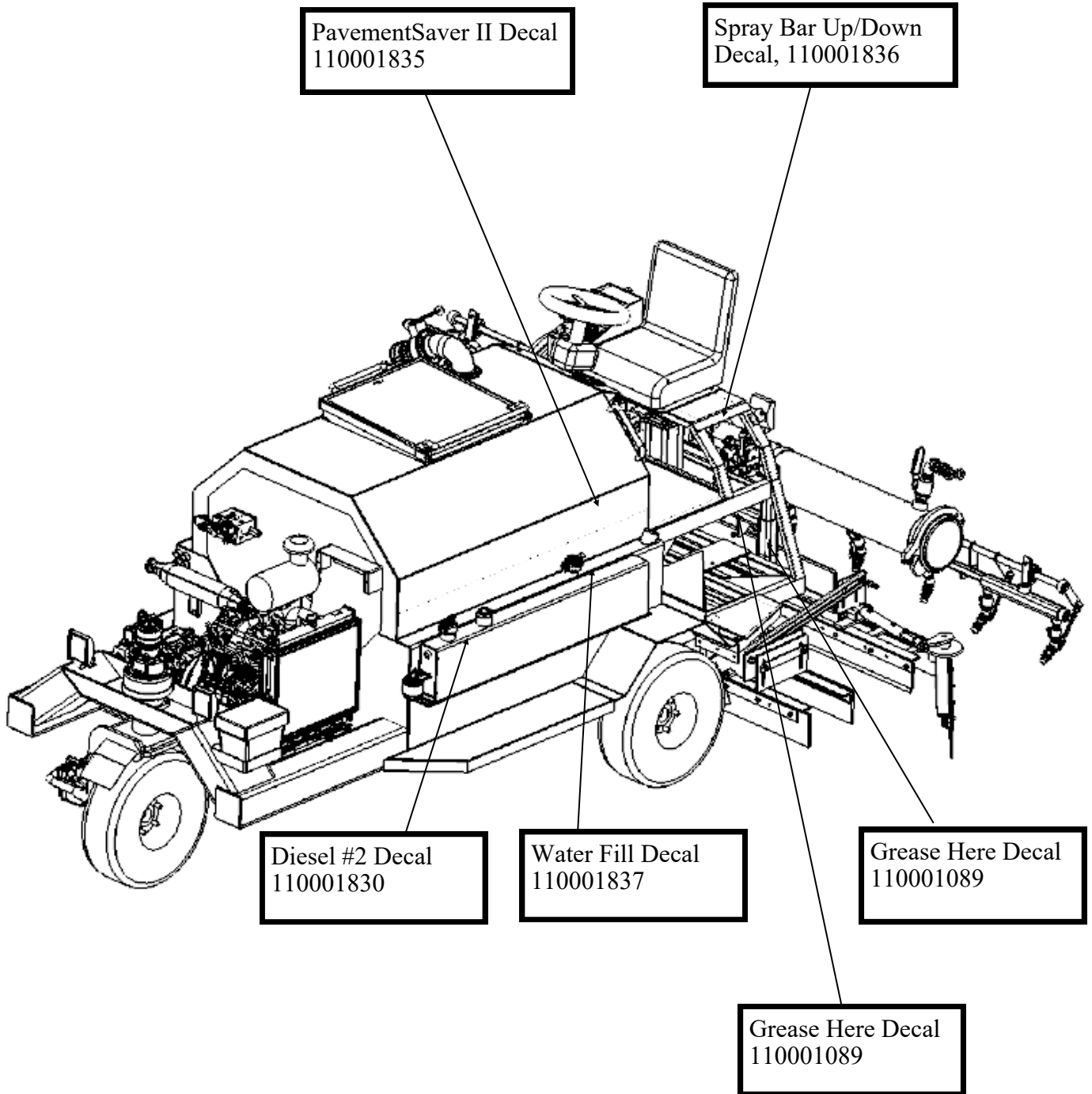
## Section 11 Machine Decals



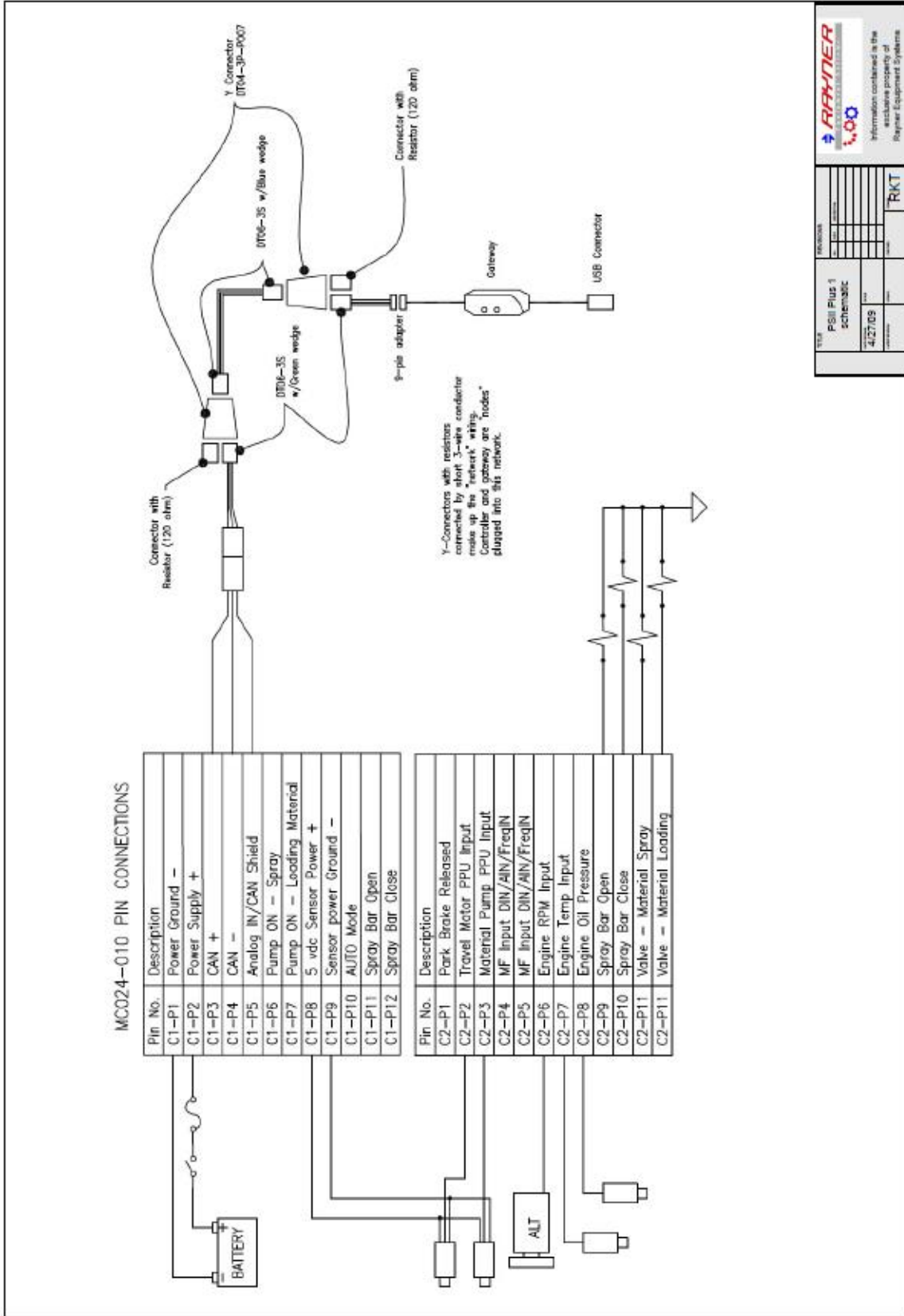


# Parts Manual PavementSaver II

## Section 11 Machine Decals



## Section 12 MC24 Controller



**RAAFNER**  
RAAFNER EQUIPMENT SYSTEMS

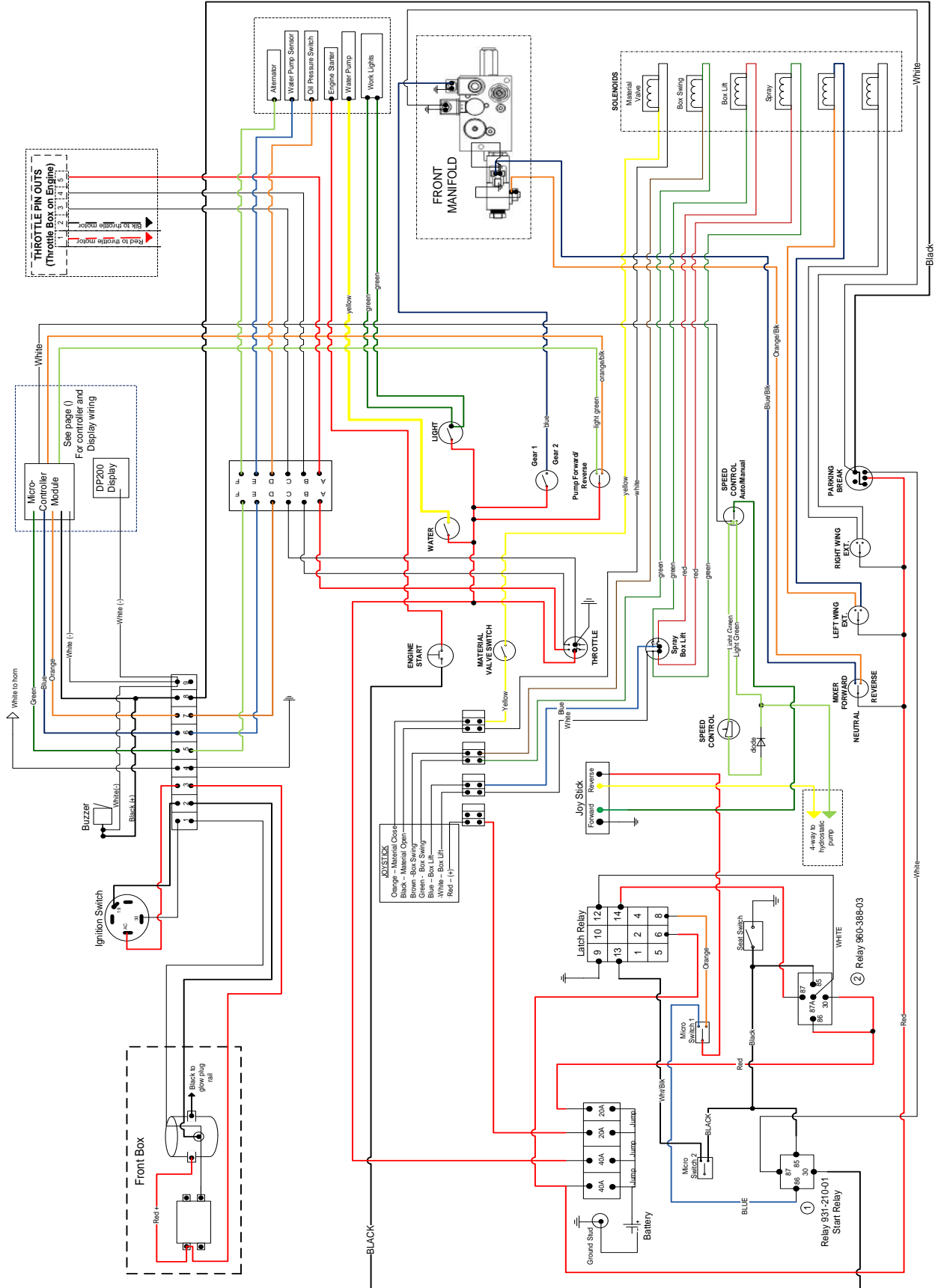
Information contained in this manual is the exclusive property of RAAFNER Equipment Systems.

REV	DESCRIPTION	DATE
1	PSII Plus 1 schematic	4/27/09

RKT

# Parts Manual PavementSaver II

## Section 13 Electrical Schematic



*Page Left Intentionally Blank*

*Page Left Intentionally Blank*

**Section 14**  
**List of Part Numbers**

Sorted by Machine Section

Figure & Item No.	Part No.	Description	Quantity
<b><u>Basic Assembly</u></b>			
2-1-1	110003148	Lights	4
2-1-2	Section 3	Engine	1
2-1-3	Section 9	Controls	1
2-1-4	Section 6	Spray Bar	1
2-1-5	Section 5	Dragbox	1
2-1-6	110002172	Water Level Gauge	1
2-1-7	110003058	Water Cap	1
2-1-8	110002173	Fuel Level Gauge	1
2-1-9	110003057	Fuel Cap	1
2-1-10	110002025	Battery Box	1
2-1-10A	110002024	Battery	1
2-1-11	Section 4	Steering System	1
2-2-1	Section 5	Hydraulic System	1
2-2-2	Figure 2-3	Material Fill Assembly	1
2-2-3	110000773	Material Hatch T-Handle Latch	1
2-2-4	—	Material Hatch	2
2-2-5	110001024	Hydraulic Oil Sight Glass	2
2-2-6	110000750	Hydraulic Oil Cap	1
2-3-1	—	Material Fill Assembly	1
2-3-2	110002413	3" Camlock Dust Cap	1
2-3-3	11000xxxx	3" Type A Camlock	1
2-3-4	11000xxxx	3" Male Adapter	1
2-3-5	110002159	3" Gasket	2
2-3-6	110002168	3" Wet / Dri Valve	1

List of Part Numbers by Machine Section

Figure & Item No.	Part No.	Description	Quantity
<b><u>Basic Assembly</u></b>			
2-4-1	110003070	Front Bearing Gasket	1
2-4-2	110003263	7/16" Split Lock Washer	4
2-4-3	110003300	7/16" Flat Washer	4
2-4-4	110004067	7/16"-14 x 2" Hex Cap Screw	4
2-4-5	110001051	Front Bearing	1
2-4-6	110003980	Fitting 90 Elbow 1/8" FPT x 1/8" MPT	1
2-4-7	110003979	Fitting 1/4" PTC x 1/8" FNPT	1
2-5-1	110001052	Rear Mixer Bearing	1
2-5-2	110001377	Rear Bearing Gasket	1
2-5-3	110003243	1/2" Flat Washer	4
2-5-4	110003107	1/2" Split Lock Washer	4
2-5-5	110003108	1/2" Hex Nut	4
<b><u>Power Assembly</u></b>			
3-1-1	110001313	Auxiliary Drive Pump	1
3-1-2	10001276	Drive Pump	1
3-1-3	110001314	Engine Isolator	4
3-1-4	110001315	Engine	1
3-1-5	110001316	Engine Fan	1
3-1-6	110001317	Exhaust	1
3-1-7	110001318	Return Filter Element	1
3-1-8	110001319	Return Filter Head	1
3-1-9	110001320	Engine Air Cleaner	1
3-1-10	110001321	Fuel Filter	1
3-1-11	110001322	Radiator	1
3-1-12	110001906	Coolant Reservoir	1

List of Part Numbers by Machine Section

Figure & Item No.	Part No.	Description	Quantity
<b><u>Steering, Brakes, Wheels, and Tires</u></b>			
4-1-1	110001327	Steering Motor	1
4-1-2	110001259	Steering Hub	1
4-1-3	11000xxxx	Front Wheel Frame	1
4-1-4	110001239	Wheel Nut	5
4-1-5	110001844	1/2"-13 x 1" Hex Cap Screw	10
4-1-6	110001261	Front Wheel (set)	1
4-1-7	110005893	Tire, Foam Filled	1
4-1-8	110003284	1/2"-13 Lock Nut	10
4-1-9	110001261	Torque Hub	1
4-1-10	110001258	Hydraulic Motor	1
4-1-11	110003243	1/2" Flat Washer	2
4-1-12	110003107	1/2" Split Lock Washer	2
4-1-13	110003264	1/2"-13 x 1-3/4" Hex Cap Screw	2
4-1-14	110001323	Motor Guard	1
4-2-1	110001323	Motor Guard	1
4-2-2	110001258	Front Wheel Hydraulic Motor	1
4-2-3	110001261	Wheel Hub	1
4-2-4	110001259	Steering Hub	1
4-2-5	110001327	Steering Motor	1
4-2-6	110001325	Steering Wheel	1
4-2-7	110001326	Steering Column	1
4-2-8	110001324	Steering Wheel Motor	1
4-2-9	110001058	Optional Wheel Speed Sensor	1
4-3-1	110005894	Tire Right and Left	2
4-3-2	110001261	Wheel Hub	2
4-3-3	110001330	Parking Brake Right and Left	2
4-3-4	110001275	Rear Wheel Motor	2
4-3-5	110001329	Wheel	2



List of Part Numbers by Machine Section

Figure & Item No.	Part No.	Description	Quantity
<b><u>Hydraulic System</u></b>			
5-1-1	110001331	Front Manifold	1
5-1-2	110001332	Mixer Motor Coil Forward/Reverse	2
5-1-3a	110001333	Mixer Reverse Plug	1
5-1-3b	110001334	Mixer Forward Plug	1
5-1-3c	110001335	2 Speed Plug	1
5-1-4	110001336	Mixer Cartridge Forward/Reverse	1
5-1-5	110001337	Mixer Motor Speed Cartridge	1
5-1-6	110001338	Parking Brake Cartridge	1
5-1-7	110001339	Parking Brake Speed Coil	1
5-1-8	110001340	Parking Brake Sensing Element	1
5-1-9	110001341	Cartridge	1
5-1-10	110001342	2 Speed Coil	1
5-1-11	110001343	Pin	1
5-1-12	110001039	Cartridge	1
5-2-2	110001279	Mixer Motor	1
5-3-1	110001344	3 Stage Manifold Block	1
5-3-2	110001345	Spray bar Pivot/Open-Close Valve	1
5-3-3	110001346	Material Pump On/Off Valve	1
5-3-4	110001347	Box Lift Valve	1
5-3-5	110001348	Solenoid Electrical Connectors	6
5-3-6	110001349	Spray Bar Pivot Open-Close Solenoid	1
5-3-7	110001350	Material Pump On/Off Solenoid	1
5-3-8	110001351	Box Lift Solenoid	1

List of Part Numbers by Machine Section

Figure & Item No.	Part No.	Description	Quantity
<b><u>Hydraulic System</u></b>			
5-4-1	110001352	5 Stage Manifold Block	1
5-4-2	110001345	Right Wing	1
5-4-3	110001346	Material Pump On/Off Valve	1
5-4-4	110001347	Left Wing	1
5-4-5	110001348	Box Swing	1
5-4-6	110001349	Box Lift	1
5-4-7	110001350	Material Pump On/Off Solenoid	1
5-4-8	110001351	Box Lift	1
5-4-9	110001344	Solenoid Electrical Connectors	6
5-5-1	110001256– Non-Computerized or 110001257- Computerized	Material Pump Motor	1
5-6-2	110004367	Dragbox Up/Down Ram	1
5-7-1	110001739	1-Stage Manifold	1
5-7-2	110001936	Knife Valve Solenoid	1
5-7-3	110001344	Solenoid Electrical Connector	2
5-7-4	110001023	Knife Valve Cylinder	1
5-8-1	110001356	2 Stage Manifold	1
5-8-2	110001349	Spray Bar Open/Close Solenoid Valve	1
5-8-3	110001348	Solenoid Electrical Connector	2
5-8-4	110001357	Manual Lift Arm Valve	1
5-9-1	110001348	Solenoid Electrical Connector	2
5-9-2	110001345	DO3 Valve for Material Valve	1
5-9-3	110001937	Material Valve Sub Plate	1

List of Part Numbers by Machine Section

Figure & Item No.	Part No.	Description	Quantity
<b><u>Spray Bar</u></b>			
6-1-1	Figure 6-11	Left Extension Assembly	
6-1-3	110001359	Pressure Gauge	1
6-1-4	Figure 6-7	Filter Assembly	1
6-1-5	110003051	Hydraulic Cylinder Assembly	1
6-1-8	Figure 6-12	Clamp Assembly	2
6-1-9	110002735	Extension Mount	2
6-1-11	110001362	Valve Linkage Assembly	6
6-1-12	110000671	3/4" Steel Plug	5
6-1-14	110003049	3/8"-16, 1-1/2" Hex Bolt	6
6-1-15	110001274	3/8" Lock Washer	18
6-1-16	110003050	3/8" Flat Washer	6
6-1-17	110001364	7/8" Flange Mount Ball Bearing	3
6-2-1	110002422	3/4" x 4" Nipple	1
6-2-2	110002417	3/4" Street 45 Elbow	1
6-2-3	110000878	3/4" Ball Valve	1
6-2-4	110002421	3/4" to 1/2" Reducer	1
	110001047	* Spray Tip, 80/70– Standard	
<b><u>Options:</u></b>			
6-2-5	110001469	Spray Tip, 80/00	1
	110002639	Spray Tip, 80/150	
	110002640	Spray Tip, 80/200	
	110002978	Spray Tip, 80/50	
6-2-6	110000162	3/4" x Close Nipple	1

List of Part Numbers by Machine Section

Figure & Item No.	Part No.	Description	Quantity
		<b><u>Spray Bar</u></b>	
6-3-1	110001362	Linkage, Short	6
6-3-2	110002179	3/8"-24 Quick Disconnect	6
6-3-3	110002175	3/8"-24 Rod End	6
6-3-4	11000xxxx	Threaded Rod	6
6-3-5	11000xxxx	3/8"-24 Hex Nut	12
6-3-6	110001274	3/8" Lock Washer	12
6-4-1	110003870	Linkage, Long	4
6-5-3	110002203	Coupling	1
6-6-1	110000159	1-1/4" x Close Nipple	2
6-6-2	110001871	1-1/4" Ball Valve	2
6-6-3	110003052	1-1/4" to 1" Bushing	2
6-6-4	110000259	1" Street 90 Elbow	2
6-6-5	110002357	Camlock 1" Male x 1" Male Pipe	2
6-6-6	110002356	Camlock 1" Dust Cap	2
6-7-1	110002700	Spray Bar Filter, Standard (70) with Can	1
6-7-2	110002701	Spray Bar Filter, Standard (70) without Can	1
6-7-1	110002940	Spray Bar Filter, Oversized (100) with Can	1
6-7-2	110002941	Spray Bar Filter, Oversized (100) without Can	1
6-8-1	110002735	Extension Receiver Tube	2
6-8-2	110003200	Bolt Handle	2
6-8-3	110003769	3/4" Weld-On Pipe Clamp	4

List of Part Numbers by Machine Section

Figure & Item No.	Part No.	Description	Quantity
<b><u>Spray Bar</u></b>			
6-9-1	110000101	2" to 2-1/2" Bushing	1
6-9-2	110000264	2" Street 90 Elbow	1
6-9-3	110000125	2" F-Camlock	1
6-10-1	110001358	Hydraulic Cylinder	1
6-10-2	11000xxxx	Lock Nut	1
6-10-3	110002176	3/8"-24 x 2 1/2" Forged Clevis Rod End	1
6-11-3	110001364	7/8" Flange Mount Ball Bearing	1
6-11-4	110003050	3/8" Flat Washer	2
6-11-5	110001274	3/8" Lock Washer	2
6-11-6	110003049	3/8"-16 x 1-1/2" Hex Cap Screw	2
6-11-8	110001363	Linkage Arm	1
6-11-9	110002203	1/4" Keyed, 7/8" Coupling, 3" Length	1
6-11-11	110001272	3/8"-16 x 1" Hex Cap Screw	1
6-11-12	110003060	1/4"-20 x 1/2" Set Screw	3
6-11-13	110001305	3/8"-16 Hex Nut	1
6-11-14	110002463	1" Square Plug	1
6-12-3	110001364	7/8" Flange Mount Ball Bearing	1
6-12-4	110003050	3/8" Flat Washer	2
6-12-5	110001274	3/8" Lock Washer	2
6-12-6	110003049	3/8"-16 x 1-1/2" Hex Cap Screw	2
6-12-8	110001363	Linkage Arm	1
6-12-9	110003056	1/4" Keyed, 7/8" Coupling, 2" Length	1
6-12-11	110001272	3/8"-16 x 1" Hex Cap Screw	1
6-12-12	110003060	1/4"-20 x 1/2" Set Screw	3
6-12-13	110001305	3/8"-16 Hex Nut	1
6-12-14	110002463	1" Square Plug	1

List of Part Numbers by Machine Section

Figure & Item No.	Part No.	Description	Quantity
<b><u>Spray Bar</u></b>			
6-13-2	110001881	8" Clamp	2
6-13-3	110001041	8" Gasket	2
6-13-4	11000xxxx	End Cap	2
<b><u>Squeegee's</u></b>			
7-1-2	11000xxxx	Connecting Frame	1
7-1-4	110003105	1/2" -13 x 2" Hex Cap Screw	4
7-1-5	110003106	1/2"-13 x 3" Hex Cap Screw	2
7-1-6	110003107	1/2" - Split Lock Washer	6
7-1-7	110003108	1/2" - 13 Hex Nut	2
7-2-1	110003054	3/8"-16 x 1 3/4" Hex Cap Screw	20
7-2-2	110003109	3/8" Split Lock Washer	20
7-2-3	110001054	Black Rubber Squeegee	2
7-2-4	11000xxxx	Squeegee Squeeze Plate	2
7-2-5	110003287	1/2"-13 x 2" Hex Cap Screw	4
7-2-6	110003249	1/2" Split Lock Washer	4
7-2-7	110002803	Squeeze Plate	2
7-2-8	11000xxxx	Squeegee Dragbox	1
7-2-9	110003110	5/8"-11 x 2" Hex Cap Screw	2
7-2-10	110003111	5/8" Split Lock Washer	2
7-2-11	11000xxxx	Consists of 110002615 & (2) 5/8-11 Hex Nuts	2
7-2-12	110002613	Attachment Bracket	2
7-2-13	110004281	Dragbox Pin	2
7-2-14	110004221	Hair Pin Cotter	2
7-3-1	11000xxxx	Attachment Frame	1
7-3-2	110003401	1/2"-13 x 3" Hex Cap Screw	2
7-3-3	110003249	1/2" Split Lock Washer	6
7-3-4	110003257	1/2"-13 Hex Nut	2
7-3-5	110003287	1/2"-13 x 2" Hex Cap Screw	4

List of Part Numbers by Machine Section

Figure & Item No.	Part No.	Description	Quantity
<b><u>Squeegee's</u></b>			
7-4-1	110003112	3/8"-16 x 1" Hex Cap Screw	10
7-4-2	110003109	3/8" Split Lock Washer	10
7-4-3	11000xxxx	Front Squeeze Bracket	1
	110001056	Red Squeegee— 168"	1
7-4-4	Or		
	110001283	Red Squeegee— 120"	1
7-4-5	110001288	Squeegee Right Wing Assembly	1
7-4-6	11000xxxx	Secondary Squeegee Frame	1
7-4-7	110001367	Hydraulic Cylinder Right and Left	2
7-4-8	11000xxxx	3/4"-10 x 3" Hex Cap Screw	4
7-4-9	110001366	Rotary Actuator	1
7-4-10	110001287	Squeegee Left Wing Assembly	1
7-4-11	110001054	Black Rubber Squeegee	2
7-5-1	110001270	Squeegee Slider Front Bar Left Side	1
7-5-2	110001271	Squeegee Wing Front Bar Left Side	1
7-5-3	110001269	Squeegee Wing Slider, Left	1
7-5-4	110003069	3/8"-16 x 1-1/4" Hex Cap Screw	4
7-5-5	110002977	1/8"-27 Straight Zerk Fitting	2
7-5-6	110003109	3/8" Split Lock Washer	4
7-6-1	110001268	Squeegee Wing Right Side	1
7-6-2	110001267	Squeegee Wing Front Bar Right Side	1
7-6-3	110001266	Squeegee Wing Slider, Right	1
7-6-4	110002977	1/8"-27 Straight Zerk Fitting	2
7-6-5	110003109	3/8" Split Lock Washer	4
7-6-6	110003112	3/8"-16 x 1" Hex Cap Screw	4
7-7-1	110001367	Hydraulic Cylinder	2
7-7-3	11000xxxx	Lock Nut	2
7-7-2	110002176	Forged Clevis Rod End	2

List of Part Numbers by Machine Section

Figure & Item No.	Part No.	Description	Quantity
<b><u>Squeegee's</u></b>			
7-4-1	110003112	3/8"-16 x 1" Hex Cap Screw	10
7-4-2	110003109	3/8" Split Lock Washer	10
7-4-3	11000xxxx	Front Squeeze Bracket	1
	110001056	Red Squeegee— 168"	1
7-4-4	Or		
	110001283	Red Squeegee— 120"	1
7-4-5	110001288	Squeegee Right Wing Assembly	1
7-4-6	11000xxxx	Secondary Squeegee Frame	1
7-4-7	110001367	Hydraulic Cylinder Right and Left	2
7-4-8	11000xxxx	3/4-10 x 3" Hex Cap Screw	4
7-4-9	110001366	Rotary Actuator	1
7-4-10	110001287	Squeegee Left Wing Assembly	1
7-4-11	110001054	Black Rubber Squeegee	2
7-5-1	110001270	Squeegee Slider Front Bar Left Side	1
7-5-2	110001271	Squeegee Wing Front Bar Left Side	1
7-5-3	110001269	Squeegee Wing Left Side Slider Ripple Modification	1
7-5-4	110003069	3/8"-16 x 1-1/4" Hex Cap Screw	4
7-5-5	110002977	1/8"-27 Straight Zerk Fitting	2
7-5-6	110003109	3/8" Split Lock Washer	4
7-6-1	110001268	Squeegee Wing Right Side	1
7-6-2	110001267	Squeegee Wing Front Bar Right Side	1
7-6-3	110001266	Squeegee Wing Slider Right Side Ripple Modification	1
7-6-4	110002977	1/8"-27 Straight Zerk Fitting	2
7-6-5	110003109	3/8" Split Lock Washer	4
7-6-6	110003112	3/8"-16 x 1" Hex Cap Screw	4
7-7-1	110001367	Hydraulic Cylinder	2
7-7-3	11000xxxx	Lock Nut	2
7-7-2	110002176	Forged Clevis Rod End	2



List of Part Numbers by Machine Section

Figure & Item No.	Part No.	Description	Quantity
<b><u>RaynPump</u></b>			
8-1-406	110001018	Gasket Plate	10
8-1-421	110001281	Front End Plate	1
8-1-422	110001280	Rear End Plate	1
8-1-403	110002929	Casing	1
8-1-419A	110001011	Idler Gear	1
8-1-420A	110001012	Drive Gear	1
8-2-1	110002983	Grease Header	1
8-2-2	110002977	1/8" Zerk Fitting	8
8-2-3	110001908	Brass Fitting, Tubing to Pipe	8
8-2-4	110001786	1/4" Black Tubing	8
8-2-5	110001920	Brass Elbow, Tubing to Pipe	8
<b><u>Cab &amp; Console</u></b>			
9-1-1	110002334	Barrel Seat	1
9-1-2	11000xxxx	Joystick Box	1
9-1-3	11000xxxx	Starter Button	1
9-1-4	110001372	Hydrostatic Joystick	1
9-1-5	11000xxxx	Joystick Box Cover	1
9-1-6	110000747	Brake Switch Cover	1
9-1-7	11000xxxx	Speed Control Dial	1
9-2-1	110002132	Switch SPDT, On-Off-On	2
9-2-2	110002129	Switch SPDT, Momentary On, Off, Momentary Off	2
9-2-3	110002134	Switch SPDT, On-Off	2
9-2-4	110000004	Switch DPDT, 3-Position	1
9-2-5	110002130	Switch DPDT, On-Off-On	1
9-2-6	110000827	Switch SPST	4

## List of Part Numbers by Machine Section

<b>Figure &amp; Item No.</b>	<b>Part No.</b>	<b>Description</b>	<b>Quantity</b>
		<b><u>Water System</u></b>	
10-1-1	110001539	Sprinkler Water Pump	1
10-2-1	110002309	Nozzle Body	3
10-2-2	110002311	Filter, Check Valve	3
10-2-3	110002310	Spray Tip	3
10-2-4	110002308	Spray Cap	3

## Section 15 List of Part Numbers

Sorted by Part Number

Figure & Item No.	Part No.	Description	Quantity
2-3-3	11000	3" Type A Camlock	1
3-1-2	10001276	Drive Pump	1
6-6-4	110000259	1" Street 90 Elbow	2
9-2-4	110000004	Switch DPDT, 3-Position	1
6-9-1	110000101	2" to 2-1/2" Bushing	1
6-9-3	110000125	2" F-Camlock	1
6-6-1	110000159	1-1/4" Close Nipple	2
6-2-6	110000162	3/4" x Close Nipple	1
6-9-2	110000264	2" Street 90 Elbow	1
6-1-2	110000671	3/4" Steel Plug	5
9-1-6	110000747	Brake Switch Cover	1
2-2-6	110000750	Hydraulic Oil Cap	1
2-2-3	110000773	Material Hatch T-Handle Latch	1
9-2-6	110000827	Switch SPST	4
6-2-3	110000878	3/4" Ball Valve	1
8-1-419A	110001011	Idler Shaft	1
8-1-420A	110001012	Drive Shaft	1
8-1-406	110001018	Gasket Plate	10
5-7-4	110001023	Knife Valve Cylinder	1
2-2-5	110001024	Hydraulic Oil Sight Glass	2
5-1-12	110001039	Cartridge	1
6-13-3	110001041	8" Gasket	2
	110001047	* Spray Tip, 80/70- Standard	
2-4-5	110001051	Front Bearing	1
2-5-1	110001052	Rear Mixer Bearing	1

List of Part Numbers, Sorted by Part Number

<b>Figure &amp; Item No.</b>	<b>Part No.</b>	<b>Description</b>	<b>Quantity</b>
7-2-3	110001054	Black Rubber Squeegee	2
7-4-1	110001054	Black Rubber Squeegee	2
7-4-1	110001054	Black Rubber Squeegee	2
	110001056	Red Squeegee– 168”	1
	110001056	Red Squeegee– 168”	1
4-2-9	110001058	Optional Wheel Speed Sensor	1
4-1-4	110001239	Wheel Nut	5
4-1-0	110001258	Hydraulic Motor	1
4-2-2	110001258	Front Wheel Hydraulic Motor	1
4-1-2	110001259	Steering Hub	1
4-2-4	110001259	Steering Hub	1
4-1-6	110001261	Front Wheel (set)	1
4-1-9	110001261	Torque Hub	1
4-2-3	110001261	Wheel Hub	1
4-3-2	110001261	Wheel Hub	2
7-6-3	110001266	Squeegee Wing Slider, Right	1
7-6-3	110001266	Squeegee Wing Slider, Right	1
7-6-2	110001267	Squeegee Wing Front Bar Right Side	1
7-6-2	110001267	Squeegee Wing Front Bar Right Side	1
7-6-1	110001268	Squeegee Wing Right Side	1
7-6-1	110001268	Squeegee Wing Right Side	1
7-5-3	110001269	Squeegee Wing Slider, Left	1
7-5-3	110001269	Squeegee Wing Slider, Left	1
7-5-1	110001270	Squeegee Slider Front Bar Left Side	1

List of Part Numbers, Sorted by Part Number

Figure & Item No.	Part No.	Description	Quantity
7-5-1	110001270	Squeegee Slider Front Bar Left Side	1
7-5-2	110001271	Squeegee Wing Front Bar Left Side	1
7-5-2	110001271	Squeegee Wing Front Bar Left Side	1
6-11-1	110001272	3/8"-16 x 1" Hex Cap Screw	1
6-12-1	110001272	3/8"-16 x 1" Hex Cap Screw	1
6-1-15	110001274	3/8" Lock Washer	18
6-3-6	110001274	3/8" Lock Washer	12
6-11-5	110001274	3/8" Lock Washer	2
6-12-5	110001274	3/8" Lock Washer	2
4-3-4	110001275	Rear Wheel Motor	2
5-2-2	110001279	Mixer Motor	1
8-1-422	110001280	Rear End Plate	1
8-1-421	110001281	Front End Plate	1
	110001283		
	110001283		
7-4-10	110001287	Squeegee Left Wing Assembly	1
7-4-10	110001287	Squeegee Left Wing Assembly	1
7-4-5	110001288	Squeegee Right Wing Assembly	1
7-4-5	110001288	Squeegee Right Wing Assembly	1
6-11-13	110001305	3/8"-16 Hex Nut	1
6-12-13	110001305	3/8"-16 Hex Nut	1
3-1-1	110001313	Auxiliary Drive Pump	1
3-1-3	110001314	Engine Isolator	4
3-1-4	110001315	Engine	1

List of Part Numbers, Sorted by Part Number

<b>Figure &amp; Item No.</b>	<b>Part No.</b>	<b>Description</b>	<b>Quantity</b>
3-1-5	110001316	Engine Fan	1
3-1-6	110001317	Exhaust	1
3-1-7	110001318	Return Filter Element	1
3-1-8	110001319	Return Filter Head	1
3-1-9	110001320	Engine Air Cleaner	1
3-1-10	110001321	Fuel Filter	1
3-1-11	110001322	Radiator	1
4-1-14	110001323	Motor Guard	1
4-2-1	110001323	Motor Guard	1
4-2-8	110001324	Steering Wheel Motor	1
4-2-6	110001325	Steering Wheel	1
4-2-7	110001326	Steering Column	1
4-1-1	110001327	Steering Motor	1
4-2-5	110001327	Steering Motor	1
4-3-1	110001328	Tire Right and Left	2
4-3-5	110001329	Wheel	2
4-3-3	110001330	Parking Brake Right and Left	2
5-1-1	110001331	Front Manifold	1
5-1-2	110001332	Mixer Motor Coil Forward/Reverse	2
5-1-3a	110001333	Mixer Reverse Plug	1
5-1-3b	110001334	Mixer Forward Plug	1
5-1-3c	110001335	2 Speed Plug	1
5-1-4	110001336	Mixer Cartridge Forward/Reverse	1
5-1-5	110001337	Mixer Motor Speed Cartridge	1

List of Part Numbers, Sorted by Part Number

<b>Figure &amp; Item No.</b>	<b>Part No.</b>	<b>Description</b>	<b>Quantity</b>
5-1-6	110001338	Parking Brake Cartridge	1
5-1-7	110001339	Parking Brake Speed Coil	1
5-1-8	110001340	Parking Brake Sensing Element	1
5-1-9	110001341	Cartridge	1
5-1-10	110001342	2 Speed Coil	1
5-1-11	110001343	Pin	1
5-3-1	110001344	3 Stage Manifold Block	1
5-4-9	110001344	Solenoid Electrical Connectors	6
5-7-3	110001344	Solenoid Electrical Connector	2
5-3-2	110001345	Spray Bar Pivot/Open-Close Valve	1
5-4-2	110001345	Right Wing	1
5-9-2	110001345	DO3 Valve for Material Valve	1
5-3-3	110001346	Material Pump On/Off Valve	1
5-4-3	110001346	Material Pump On/Off Valve	1
5-3-4	110001347	Box Lift Valve	1
5-4-4	110001347	Left Wing	1
5-3-5	110001348	Solenoid Electrical Connectors	6
5-4-5	110001348	Box Swing	1
5-8-3	110001348	Solenoid Electrical Connector	2
5-9-1	110001348	Solenoid Electrical Connector	2
5-3-6	110001349	Spray Bar Pivot Open-Close Solenoid	1
5-4-6	110001349	Box Lift	1
5-8-2	110001349	Spray Bar Open/Close Solenoid Valve	1
5-3-7	110001350	Material Pump On/Off Solenoid	1

List of Part Numbers, Sorted by Part Number

<b>Figure &amp; Item No.</b>	<b>Part No.</b>	<b>Description</b>	<b>Quantity</b>
5-4-7	110001350	Material Pump on/off Solenoid	1
5-3-8	110001351	Box Lift Solenoid	1
5-4-8	110001351	Box Lift	1
5-4-1	110001352	5 Stage Manifold Block	1
5-8-1	110001356	2 Stage Manifold	1
5-8-4	110001357	Manual lift arm valve	1
6-10-1	110001358	Hydraulic Cylinder	1
6-1-3	110001359	Pressure Gauge	1
6-1-11	110001362	Valve Linkage Assembly	6
6-3-1	110001362	Linkage, Short	6
6-11-8	110001363	Linkage Arm	1
6-12-8	110001363	Linkage Arm	1
6-1-17	110001364	7/8" Flange Mount Ball Bearing	3
6-11-3	110001364	7/8" Flange Mount Ball Bearing	1
6-12-3	110001364	7/8" Flange Mount Ball Bearing	1
7-4-9	110001366	Rotary Actuator	1
7-4-9	110001366	Rotary Actuator	1
7-4-7	110001367	Hydraulic Cylinder Right and Left	2
7-7-1	110001367	Hydraulic Cylinder	2
7-4-7	110001367	Hydraulic Cylinder Right and Left	2
7-7-1	110001367	Hydraulic Cylinder	2
5-6-2	110001369	Spray Bar Up/Down Ram	1
9-1-4	110001372	Hydrostatic Joystick	1
2-5-2	110001377	Rear Bearing Gasket	1



List of Part Numbers, Sorted by Part Number

Figure & Item No.	Part No.	Description	Quantity
4-1-7	110001378	Tire, Foam Filled	1
6-2-5	110001469	Spray Tip, 80/00	1
10-1-1	110001539	Sprinkler Water Pump	1
5-7-1	110001739	1-Stage Manifold	1
8-2-4	110001786	1/4" Black Tubing	8
4-1-5	110001844	1/2" - 13 x 1" Hex Cap Screw	10
6-6-2	110001871	1-1/4" Ball Valve	2
6-13-2	110001881	8" Clamp	2
3-1-12	110001906	Coolant Reservoir	1
8-2-3	110001908	Brass Fitting, Tubing to Pipe	8
8-2-5	110001920	Brass Elbow, Tubing to Pipe	8
5-7-2	110001936	Knife Valve Solenoid	1
5-9-3	110001937	Material Valve Sub Plate	1
2-1-10A	110002024	Battery	1
2-1-10	110002025	Battery Box	1
9-2-2	110002129	Switch SPDT, Momentary On, Off, Momentary Off	2
9-2-5	110002130	Switch DPDT, On-Off-On	1
9-2-1	110002132	Switch SPDT, On-Off-On	2
9-2-3	110002134	Switch SPDT, On-Off	2
2-3-5	110002159	3" Gasket	2
2-3-6	110002168	3" Wet / Dri Valve	1
2-1-6	110002172	Water Level Gauge	1
2-1-8	110002173	Fuel Level Gauge	1
6-3-3	110002175	3/8"-24 Ball Joint Rod End	6

List of Part Numbers, Sorted by Part Number

Figure & Item No.	Part No.	Description	Quantity
6-10-3	110002176	3/8"-24 x 2-1/2" Forged Clevis Rod End	1
7-7-2	110002176	Forged Clevis Rod End	2
7-7-2	110002176	Forged Clevis Rod End	2
6-3-2	110002179	3/8"-24 Quick Disconnect	6
6-5-3	110002203	Coupling	1
6-11-9	110002203	1/4" Keyed, 7/8" Coupling, 3" Length	1
10-2-4	110002308	Spray Cap	3
10-2-1	110002309	Nozzle Body	3
10-2-3	110002310	Spray Tip	3
10-2-2	110002311	Filter, Check Valve	3
9-1-1	110002334	Barrel Seat	1
6-6-6	110002356	Camlock 1" Dust Cap	2
6-6-5	110002357	Camlock 1" Male x 1" Male Pipe	2
2-3-2	110002413	3" Camlock Dust Cap	1
6-2-2	110002417	3/4" Street 45 Elbow	1
6-2-4	110002421	3/4" to 1/2" Reducer	1
6-2-1	110002422	3/4" x 4" Nipple	1
6-11-14	110002463	1" Square Plug	1
6-12-14	110002463	1" Square Plug	1
7-2-12	110002613	Attachment Bracket	2
6-2-5	110002639	Spray Tip, 80/150	1
6-2-5	110002640	Spray Tip, 80/200	1
6-7-1	110002700	Spray Bar Filter, Standard (70) with Can	1
6-7-2	110002701	Spray Bar Filter, Standard (70) without Can	1

List of Part Numbers, Sorted by Part Number

Figure & Item No.	Part No.	Description	Quantity
6-1-9	110002735	Extension Mount	2
6-8-1	110002735	Extension Receiver Tube	2
7-2-7	110002803	Squeeze Plate	2
8-1-403	110002929	Casing	1
6-7-1	110002940	Spray Bar Filter, Oversized (100) with Can	1
6-7-2	110002941	Spray Bar Filter, Oversized (100) without Can	1
7-5-5	110002977	1/8"-27 Straight Zerk Fitting	2
7-6-4	110002977	1/8"-27 Straight Zerk Fitting	2
7-5-5	110002977	1/8"-27 Straight Zerk Fitting	2
7-6-4	110002977	1/8"-27 Straight Zerk Fitting	2
8-2-2	110002977	1/8" Zerk Fitting	8
6-2-5	110002978	Spray Tip, 80/50	1
8-2-1	110002983	Grease Header	1
6-1-14	110003049	3/8"-16 x 1-1/2" Hex Bolt	6
6-11-6	110003049	3/8"-16 x 1-1/2" Hex Cap Screw	2
6-12-6	110003049	3/8"-16 x 1-1/2" Hex Cap Screw	2
6-1-16	110003050	3/8" Flat Washer	6
6-11-4	110003050	3/8" Flat Washer	2
6-12-4	110003050	3/8" Flat Washer	2
6-1-5	110003051	Hydraulic Cylinder Assembly	1
6-6-3	110003052	1-1/4" x 1" Bushing	2
7-2-1	110003054	3/8"-16 x 1-3/4" Hex Cap Screw	20
6-12-9	110003056	1/4" Keyed, 7/8" Coupling, 2" Length	1
2-1-9	110003057	Fuel Cap	1

List of Part Numbers, Sorted by Part Number

Figure & Item No.	Part No.	Description	Quantity
2-1-7	110003058	Water Cap	1
6-11-12	110003060	1/4"-20 x 1/2" Set Screw	3
6-12-12	110003060	1/4"-20 x 1/2" Set Screw	3
7-5-4	110003069	3/8"-16 x 1-1/4" Hex Cap Screw	4
7-5-4	110003069	3/8"-16 x 1-1/4" Hex Cap Screw	4
2-4-1	110003070	Front Bearing Gasket	1
7-1-4	110003105	1/2" -13 x 2" Hex Cap Screw	4
7-1-5	110003106	1/2"-13 x 3" Hex Cap Screw	2
2-5-4	110003107	1/2" Split Lock Washer	4
4-1-12	110003107	1/2" Split Lock Washer	2
7-1-6	110003107	1/2" Split Lock Washer	6
2-5-5	110003108	1/2" Hex Nut	4
7-1-7	110003108	1/2"-13 Hex Nut	2
7-2-2	110003109	3/8" Split Lock Washer	20
7-4-2	110003109	3/8" Split Lock Washer	10
7-5-6	110003109	3/8" Split Lock Washer	4
7-6-5	110003109	3/8" Split Lock Washer	4
7-4-2	110003109	3/8" Split Lock Washer	10
7-5-6	110003109	3/8" Split Lock Washer	4
7-6-5	110003109	3/8" Split Lock Washer	4
7-2-9	110003110	5/8"-11 x 2" Hex Cap Screw	2
7-2-10	110003111	5/8" Split Lock Washer	2
7-4-1	110003112	3/8"-16 x 1" Hex Cap Screw	10
7-6-6	110003112	3/8"-16 x 1" Hex Cap Screw	4

List of Part Numbers, Sorted by Part Number

Figure & Item No.	Part No.	Description	Quantity
7-4-1	110003112	3/8"-16 x 1" Hex Cap Screw	10
7-6-6	110003112	3/8"-16 x 1" Hex Cap Screw	4
2-1-1	110003148	Lights	4
6-8-2	110003200	Bolt Handle	2
2-5-3	110003243	1/2" Flat Washer	4
4-1-1	110003243	1/2" Flat Washer	2
7-2-6	110003249	1/2" Split Lock Washer	4
7-3-3	110003249	1/2" Split Lock Washer	6
7-3-4	110003257	1/2"-13 Hex Nut	2
2-4-2	110003263	7/16" Split Lock Washer	4
4-1-13	110003264	1/2"-13 x 1-3/4" Hex Cap Screw	2
4-1-8	110003284	1/2"-13 Lock Nut	10
7-2-5	110003287	1/2"-13 x 2" Hex Cap Screw	4
7-3-5	110003287	1/2"-13 x 2" Hex Cap Screw	4
2-4-3	110003300	7/16" Flat Washer	4
7-3-2	110003401	1/2"-13 x 3" Hex Cap Screw	2
6-8-3	110003769	3/4" Weld on Pipe Clamp	4
6-4-1	110003870	Linkage, Long	4
2-4-7	110003979	Fitting 1/4" PTC x 1/8" FNPT	1
2-4-6	110003980	Fitting 90 Elbow 1/8" FPT x 1/8" MPT	1
2-4-4	110004067	7/16"-14 x 2" Hex Cap Screw	4
7-2-14	110004221	Hair Pin Cotter	2
7-2-13	110004281	Dragbox Pin	2
2-2-4	—	Material Hatch	2

List of Part Numbers, Sorted by Part Number

Figure & Item No.	Part No.	Description	Quantity
2-3-1	—	Material Fill Assembly	1
5-5-1	110001256– Non- Computerized or 110001257- Computerized	Material Pump Motor	1
2-3-4	11000xxxx	3" Male Adapter	1
4-1-3	11000xxxx	Front Wheel Frame	1
6-3-4	11000xxxx	Threaded Rod	6
6-3-5	11000xxxx	3/8"-24 Hex Nut	12
6-10-2	11000xxxx	Lock Nut	1
6-13-4	11000xxxx	End Cap	2
7-1-2	11000xxxx	Connecting Frame	1
7-2-4	11000xxxx	Squeegee Squeeze Plate	2
7-2-8	11000xxxx	Squeegee Dragbox	1
7-2-11	11000xxxx	Consists of 110002615 & (2) 5/8-11 Hex Nuts	2
7-3-1	11000xxxx	Attachment Frame	1
7-4-3	11000xxxx	Front Squeeze Bracket	1
7-4-6	11000xxxx	Secondary Squeegee Frame	1
7-4-8	11000xxxx	3/4"-10 x 3" Hex Cap Screw	4
7-7-3	11000xxxx	Lock Nut	2
7-4-3	11000xxxx	Front Squeeze Bracket	1
7-4-6	11000xxxx	Secondary Squeegee Frame	1
7-4-8	11000xxxx	3/4"-10 x 3" Hex Cap Screw	4
7-7-3	11000xxxx	Lock Nut	2
9-1-2	11000xxxx	Joystick Box	1
9-1-3	11000xxxx	Starter Button	1
9-1-5	11000xxxx	Joystick Box Cover	1

List of Part Numbers, Sorted by Part Number

<b>Figure &amp; Item No.</b>	<b>Part No.</b>	<b>Description</b>	<b>Quantity</b>
9-1-7	11000xxxx	Speed Control Dial	1
2-2-2	Figure 2-3	Material Fill Assembly	1
6-1-1	Figure 6-11	Left Extension Assembly	
6-1-8	Figure 6-12	Clamp Assembly	2
6-1-4	Figure 6-7	Filter Assembly	1
7-4-4	Or	Red Squeegee— 120"	1
7-4-4	Or	Red Squeegee— 120"	1
2-1-2	Section 3	Engine	1
2-1-11	Section 4	Steering System	1
2-1-5	Section 5	Dragbox	1
2-2-1	Section 5	Hydraulic System	1
2-1-4	Section 6	Spray Bar	1
2-1-3	Section 9	Controls	1

## Common Wear Parts

Figure & Item No.	Part No.	Description	Quantity
<b><u>Squeegee's</u></b>			
7-4-4	110001056	Red Squeegee– 168”, With Wings	1
	Or		
	110001283	Red Squeegee— 120”, With out Wings	1
7-4-11 & 7-2-3	110001054	Black Rubber Squeegee	3
<b><u>Spray Bar</u></b>			
6-13-3	110001041	8” Gasket	2
	110001047	* Spray Tip, 80/70– Standard	
<b><u>Options:</u></b>			
6-2-5	110001469	Spray Tip, 80/00	6
	110002639	Spray Tip, 80/150	or
	110002640	Spray Tip, 80/200	10
	110002978	Spray Tip, 80/50	
6-7-1	110002700	Spray Bar Filter, Standard (70) with Can	1
6-7-2	110002701	Spray Bar Filter, Standard (70) without Can	1
<b><u>Optional</u></b>			
6-7-1	110002940	Spray Bar Filter, Oversized (100) with Can	1
6-7-2	110002941	Spray Bar Filter, Oversized (100) without Can	1
<b><u>Engine and Hydraulic Filters</u></b>			
3-1-10	110002720	Oil Filter	1
3-1-11	110001321	Fuel Filter	1
3-1-12b	110001318	Return Filter Element	1



